

Legal and Safety Information

AGILENT TECHNOLOGIES WARRANTY STATEMENT

PRODUCT: Agilent 3499A/B/C Switch/Control System

DURATION OF WARRANTY: 1 year

1. Agilent Technologies warrants Agilent hardware, accessories and supplies against defects in materials and workmanship for the period specified above. If Agilent receives notice of such defects during the warranty period, Agilent will, at its option, either repair or replace products which prove to be defective. Replacement products may be either new or like-new.

2. Agilent Technologies warrants that Agilent software will not fail to execute its programming instructions, for the period specified above, due to defects in material and workmanship when properly installed and used. If Agilent receives notice of such defects during the warranty period, Agilent will replace software media which does not execute its programming instructions due to such defects.

3. Agilent Technologies does not warrant that the operation of Agilent products will be interrupted or error free. If Agilent is unable, within a reasonable time, to repair or replace any product to a condition as warranted, customer will be entitled to a refund of the purchase price upon prompt return of the product.

4. Agilent Technologies products may contain remanufactured parts equivalent to new in performance or may have been subject to incidental use.

5. The warranty period begins on the date of delivery or on the date of installation if installed by Agilent. If customer schedules or delays Agilent installation more than 30 days after delivery, warranty begins on the 31st day from delivery.

6. Warranty does not apply to defects resulting from (a) improper or inadequate maintenance or calibration, (b) software, interfacing, parts or supplies not supplied by Agilent, (c) unauthorized modification or misuse, (d) operation outside of the published environmental specifications for the product, or (e) improper site preparation or maintenance.

7. TO THE EXTENT ALLOWED BY LOCAL LAW, THE ABOVE WARRANTIES ARE EXCLUSIVE AND NO OTHER WARRANTY OR CONDITION, WHETHER WRITTEN OR ORAL, IS EXPRESSED OR IMPLIED AND AGILENT SPECIFICALLY DISCLAIMS ANY IMPLIED WARRANTY OR CONDITIONS OF MERCHANTABILITY, SATISFACTORY QUALITY, AND FITNESS FOR A PARTICULAR PURPOSE.

8. Agilent Technologies will be liable for damage to tangible property per incident up to the greater of \$300,000 or the actual amount paid for the product that is the subject of the claim, and for damages for bodily injury or death, to the extent that all such damages are determined by a court of competent jurisdiction to have been directly caused by a defective Agilent product.

9. TO THE EXTENT ALLOWED BY LOCAL LAW, THE REMEDIES IN THIS WARRANTY STATEMENT ARE CUSTOMER'S SOLE AND EXCLUSIVE REMEDIES. EXCEPT AS INDICATED ABOVE, IN NO EVENT WILL AGILENT OR ITS SUPPLIERS BE LIABLE FOR LOSS OF DATA OR FOR DIRECT, SPECIAL, INCIDENTAL, CONSEQUENTIAL (INCLUDING LOST PROFIT OR DATA), OR OTHER DAMAGE, WHETHER BASED IN CONTRACT, TORT, OR OTHERWISE.

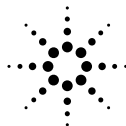
FOR CONSUMER TRANSACTIONS IN AUSTRALIA AND NEW ZEALAND: THE WARRANTY TERMS CONTAINED IN THIS STATEMENT, EXCEPT TO THE EXTENT LAWFULLY PERMITTED, DO NOT EXCLUDE, RESTRICT OR MODIFY AND ARE IN ADDITION TO THE MANDATORY STATUTORY RIGHTS APPLICABLE TO THE SALE OF THIS PRODUCT TO YOU.

U.S. Government Restricted Rights

The Software and Documentation have been developed entirely at private expense. They are delivered and licensed as "commercial computer software" as defined in DFARS 252.227-7013 (Oct 1988), DFARS 252.211-7015 (May 1991) or DFARS 252.227-7014 (Jun 1995), as a "commercial item" as defined in FAR 2.101(a), or as "Restricted computer software" as defined in FAR 52.227-19 (Jun 1987) (or any equivalent agency regulation or contract clause), whichever is applicable. You have only those rights provided for such Software and Documentation by the applicable FAR or DFARS clause or the Agilent standard software agreement for the product involved.

Trademark Information

Visual BASIC, Visual C++, Windows 95 and Windows NT are U.S. registered trademarks of Microsoft Corporation.



Agilent Technologies

Agilent 3499A/B/C Switch/Control System Service Manual
Rev. D

Copyright © 2003 Agilent Technologies Company. All Rights Reserved.

Documentation History

All Editions and Updates of this manual and their creation date are listed below. The first Edition of the manual is Edition 1. The Edition number increments by 1 whenever the manual is revised. Updates, which are issued between Editions, contain replacement pages to correct or add additional information to the current Edition of the manual. Whenever a new Edition is created, it will contain all of the Update information for the previous Edition. Each new Edition or Update also includes a revised copy of this documentation history page.

Rev. A January 2000
 Rev. B December 2000
 Rev. C April 2002
 Rev. D March 2003

Safety Symbols



Instruction manual symbol affixed to product. Indicates that the user must refer to the manual for specific **WARNING** or **CAUTION** information to avoid personal injury or damage to the product.



Alternating current (AC)



Direct current (DC).



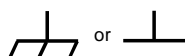
Indicates the field wiring terminal that must be connected to earth ground before operating the equipment—protects against electrical shock in case of fault.



Indicates hazardous voltages.

WARNING

Calls attention to a procedure, practice, or condition that could cause bodily injury or death.



Frame or chassis ground terminal—typically connects to the equipment's metal frame.

CAUTION

Calls attention to a procedure, practice, or condition that could possibly cause damage to equipment or permanent loss of data.

WARNINGS

The following general safety precautions must be observed during all phases of operation, service, and repair of this product. Failure to comply with these precautions or with specific warnings elsewhere in this manual violates safety standards of design, manufacture, and intended use of the product. Agilent Technologies Company assumes no liability for the customer's failure to comply with these requirements.

Ground the equipment: For Safety Class 1 equipment (equipment having a protective earth terminal), an uninterruptible safety earth ground must be provided from the mains power source to the product input wiring terminals or supplied power cable.

DO NOT operate the product in an explosive atmosphere or in the presence of flammable gases or fumes.

For continued protection against fire, replace the line fuse(s) only with fuse(s) of the same voltage and current rating and type. DO NOT use repaired fuses or short-circuited fuse holders.

Keep away from live circuits: Operating personnel must not remove equipment covers or shields. Procedures involving the removal of covers or shields are for use by service-trained personnel only. Under certain conditions, dangerous voltages may exist even with the equipment switched off. To avoid dangerous electrical shock, DO NOT perform procedures involving cover or shield removal unless you are qualified to do so.

DO NOT operate damaged equipment: Whenever it is possible that the safety protection features built into this product have been impaired, either through physical damage, excessive moisture, or any other reason, REMOVE POWER and do not use the product until safe operation can be verified by service-trained personnel. If necessary, return the product to an Agilent Technologies Sales and Service Office for service and repair to ensure that safety features are maintained.

DO NOT service or adjust alone: Do not attempt internal service or adjustment unless another person, capable of rendering first aid and resuscitation, is present.

DO NOT substitute parts or modify equipment: Because of the danger of introducing additional hazards, do not install substitute parts or perform any unauthorized modification to the product. Return the product to an Agilent Technologies Sales and Service Office for service and repair to ensure that safety features are maintained.

Operating Location: Sheltered location where air temperature and humidity are controlled within this product's specifications and the product is protected against direct exposure to climatic conditions such as direct sunlight, wind, rain, snow, sleet, and icing, water spray or splash, hoarfrost or dew. Pollution environment for which this product may be operated is IEC 664 Pollution degree 2.

WARNINGS (Cont.)

The Agilent 3499A/B/C can have modules that are capable of switching voltages up to 250V maximum. Voltage levels above the levels specified for accessible connectors or cable ends could cause bodily injury or death to an operator. Special precautions must be adhered to (discussed below) when applying voltages in excess of 60 Vdc, 30 Vac rms or 42.4 Vac peak.

Module connectors and test signal cables connected to them cannot be operator accessible. Cables and connectors are considered inaccessible if a tool (e.g., screwdriver, wrench, socket, etc.) or a key (equipment in a locked cabinet) is required to gain access to them. Additionally, the operator cannot have access to a conductive surface connected to any cable conductor (High, Low or Guard).

Assure the equipment under test has adequate insulation between the cable connections and any operator-accessible parts (doors, covers, panels, shields, cases, cabinets, etc.). Verify there are multiple and sufficient protective means (rated for the voltages you are applying) to assure the operator will NOT come into contact with any energized conductor even if one of the protective means fails to work as intended. For example, the inner side of a case, cabinet, door, cover or panel can be covered with an insulating material as well as routing the test cables to the module's front panel connectors through non-conductive, flexible conduit such as that used in electrical power distribution.

This ISM device complies with Canadian CES-001
Cet appareil ISM est conforme à la norme NMB-001 du Canada

CLEANING INFORMATION

The instrument should only be cleaned by wiping it with a soft damp cloth.



Agilent Technologies

DECLARATION OF CONFORMITY

According to ISO/IEC Guide 22 and CEN/CENELEC EN 45014



Manufacturer's Name: Agilent Technologies (Malaysia)
Sdn. Bhd.
Manufacturer's Address: Bayan Lepas Free Industrial Zone
11900 Penang
Malaysia

Declares, that the product

Product Name: Switch/Control System and Associated Modules
Model Number: 3499A/B/C
Product Options: This declaration covers all options of the above products.

Conforms with the following European Directives:

The product herewith complies with the requirements of the Low Voltage Directive 73/23/EEC and the EMC Directive 89/336/EEC (including 93/68/EEC) and carries the CE Marking accordingly.

Conforms with the following product standards:

EMC	Standard	Limit
	IEC 61326-1:1997+A1:1998 / EN 61326-1:1997+A1:1998	Group 1 Class A
	CISPR 11:1990 / EN 55011:1991	4kV CD, 8kV AD
	IEC 61000-4-2:1995+A1:1998 / EN 61000-4-2:1995	3 V/m, 80-1000 MHz
	IEC 61000-4-3:1995 / EN 61000-4-3:1995	0.5kV signal lines, 1kV power lines
	IEC 61000-4-4:1995 / EN 61000-4-4:1995	0.5 kV line-line, 1 kV line-ground
	IEC 61000-4-5:1995 / EN 61000-4-5:1995	3V, 0.15-80 MHz 1 cycle, 100%
	IEC 61000-4-6:1996 / EN 61000-4-6:1996	
	IEC 61000-4-11:1994 / EN 61000-4-11:1994	
	Canada: ICES-001:1998	
	Australia/New Zealand: AS/NZS 2064.1	

*This ISM device complies with Canadian ICES-001.
Cet appareil ISM est conforme à la norme NMB-001 du Canada.*

The product was tested in a typical configuration with Agilent Technologies test systems.

Safety IEC 61010-1:1990+A1:1992+A2:1995 / EN 61010-1:1993+A2:1995
Canada: CSA C22.2 No. 1010.1:1992

January 17, 2002

Date

Tan Boon Juan
Quality Manager

For further information, please contact your local Agilent Technologies sales office, agent or distributor.
Authorized EU-representative: Agilent Technologies Deutschland GmbH, Herrenberger Straße 130, D 71034 Böblingen, Germany

Appendix C

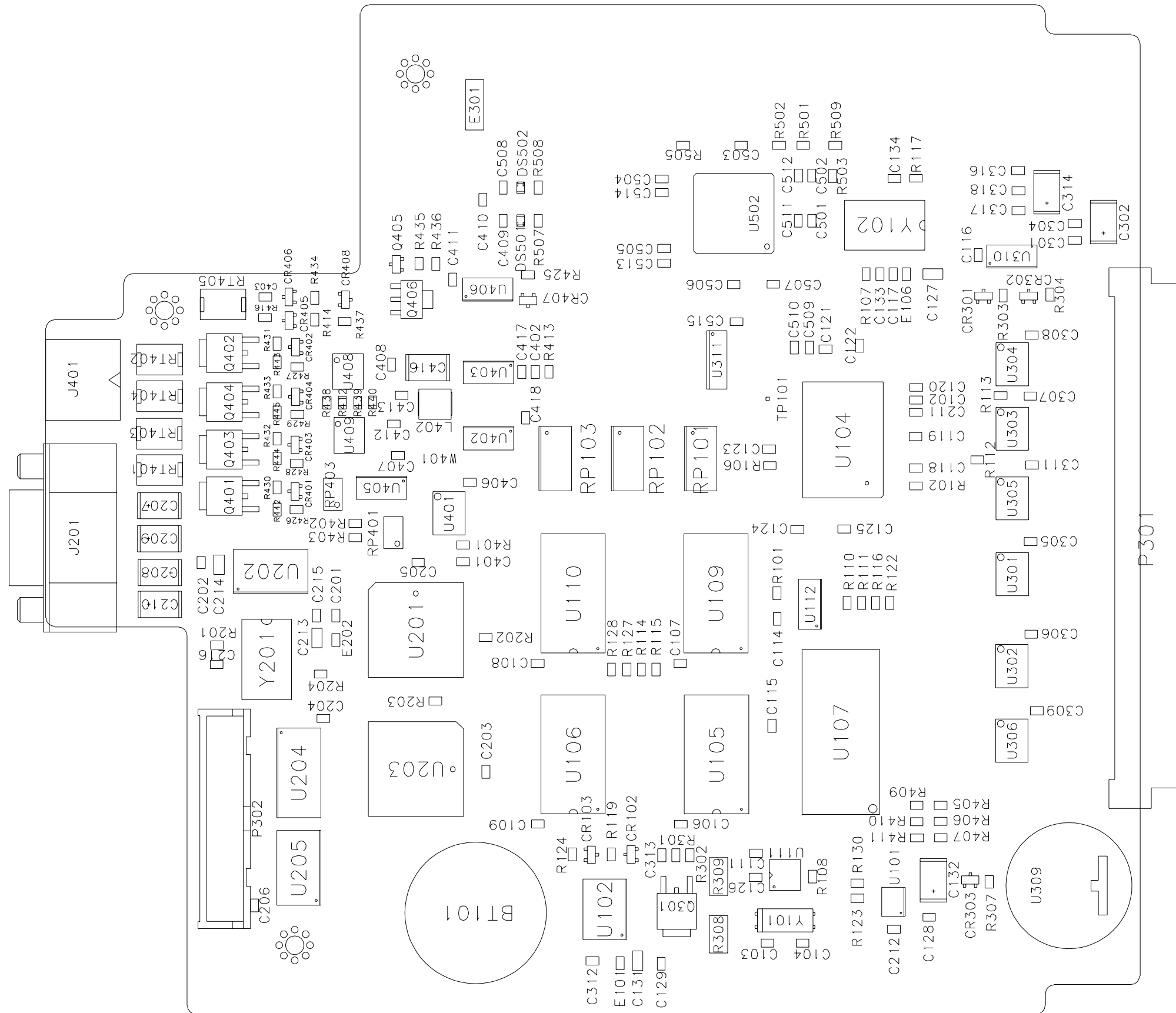
Schematics

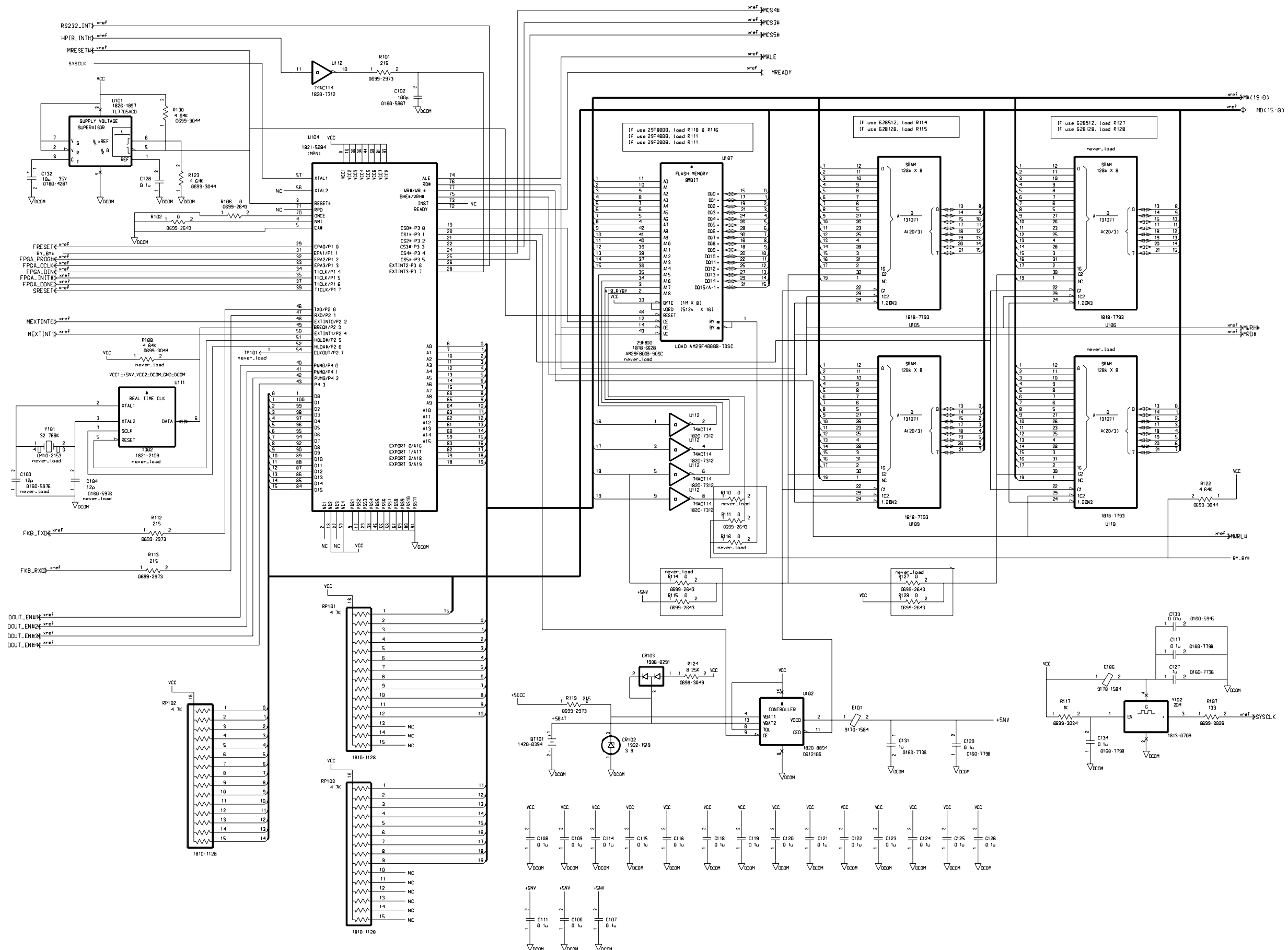
This chapter contains the schematics for the Agilent 3499A/B/C mainframes and the plug-in modules designed for Agilent 3499A/B/C Switch/Control System. For the schematics of the existing 3488A plug-in modules, you can refer to *Agilent 3488A Switch/Control System Service Manual*.

The schematics in this chapter include:

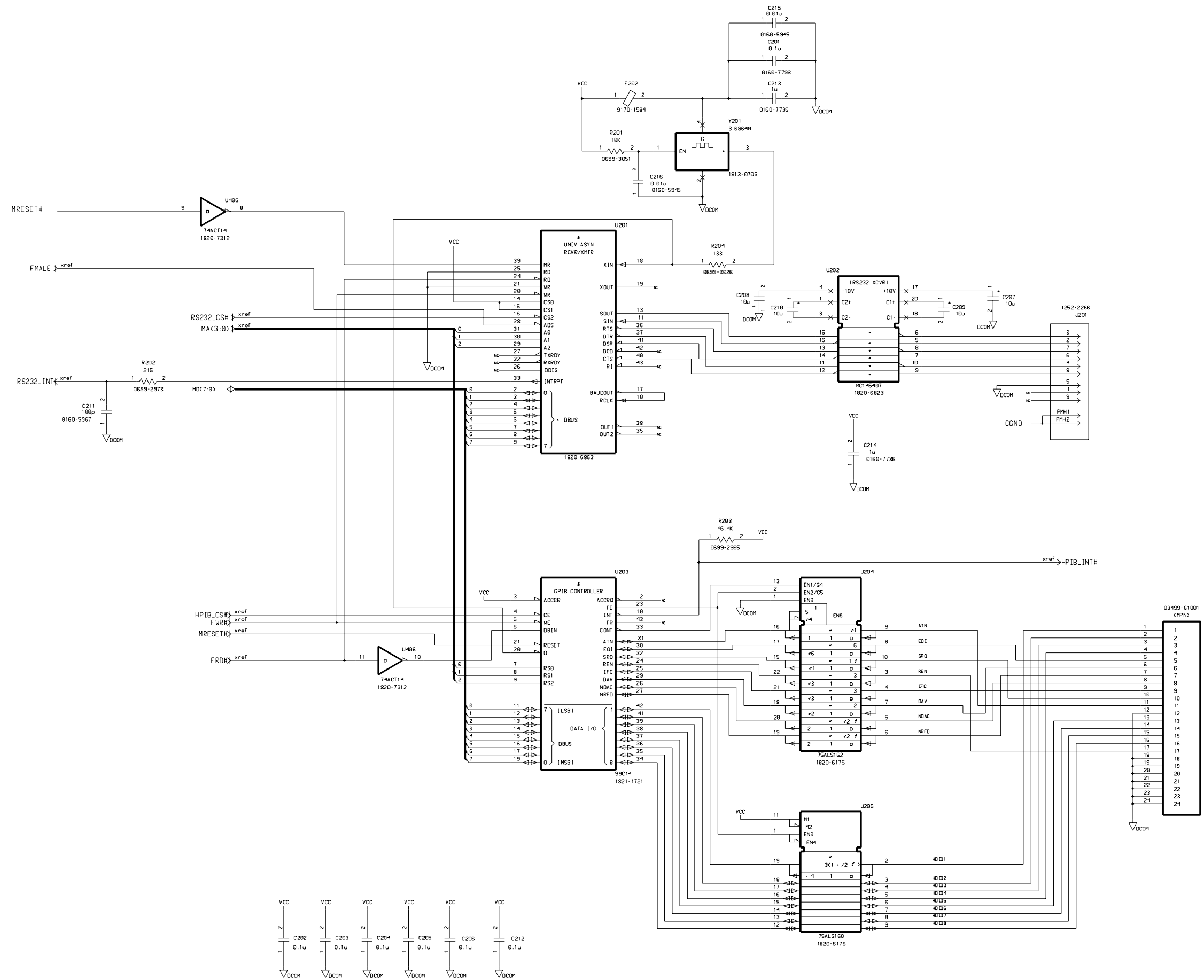
- Agilent 3499A/B/C Controller Board 1.0 Components Locator Page 131
- Agilent 3499A/B/C Controller Board 1.0 Schematics Page 132
- Agilent 3499A/B/C Controller Board 2.0 Components Locator Page 137
- Agilent 3499A/B/C Controller Board 2.0 Schematics Page 138
- Agilent 3499A/B/C Keyboard and Display Components Locator & Schematics ... Page 143
- Agilent 3499A/B/C Backplane Components Locator & Schematics Page 146
- Agilent N2260A Components Locator Page 149
- Agilent N2260A Schematics Page 150
- Agilent N2290A Components Locator & Schematics Page 154
- Agilent N2261A Components Locator Page 155
- Agilent N2261A Schematics Page 156
- Agilent N2291A Components Locator & Schematics Page 160
- Agilent N2262A Components Locator Page 161
- Agilent N2262A Schematics Page 162
- Agilent N2292A Components Locator & Schematics Page 165
- Agilent N2263A Components Locator Page 166
- Agilent N2263A Schematics Page 167
- Agilent N2293A Components Locator & Schematics Page 174
- Agilent N2264A Components Locator Page 175
- Agilent N2264A Schematics Page 176
- Agilent N2294A Components Locator & Schematics Page 182
- Agilent N2265A Components Locator Page 183
- Agilent N2265A Schematics Page 184
- Agilent N2295A Components Locator & Schematics Page 190
- Agilent N2266A Components Locator Page 191
- Agilent N2266A Schematics Page 192
- Agilent N2267A Components Locator Page 196
- Agilent N2267A Schematics Page 197
- Agilent N2268A Components Locator Page 199
- Agilent N2268A Schematics Page 200
- Agilent N2269A Components Locator Page 203
- Agilent N2269A Schematics Page 204
- Agilent N2329A Components Locator & Schematics Page 209
- Agilent N2270A Components Locator Page 210
- Agilent N2270A Schematics Page 211
- Agilent N2272A Components Locator Page 213

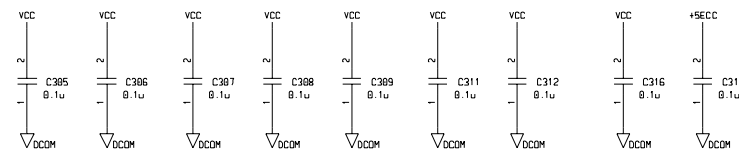
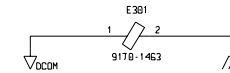
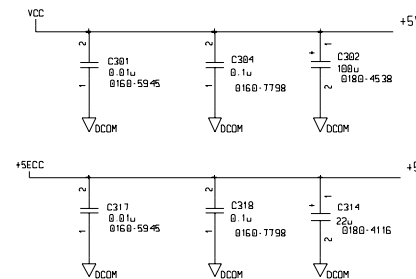
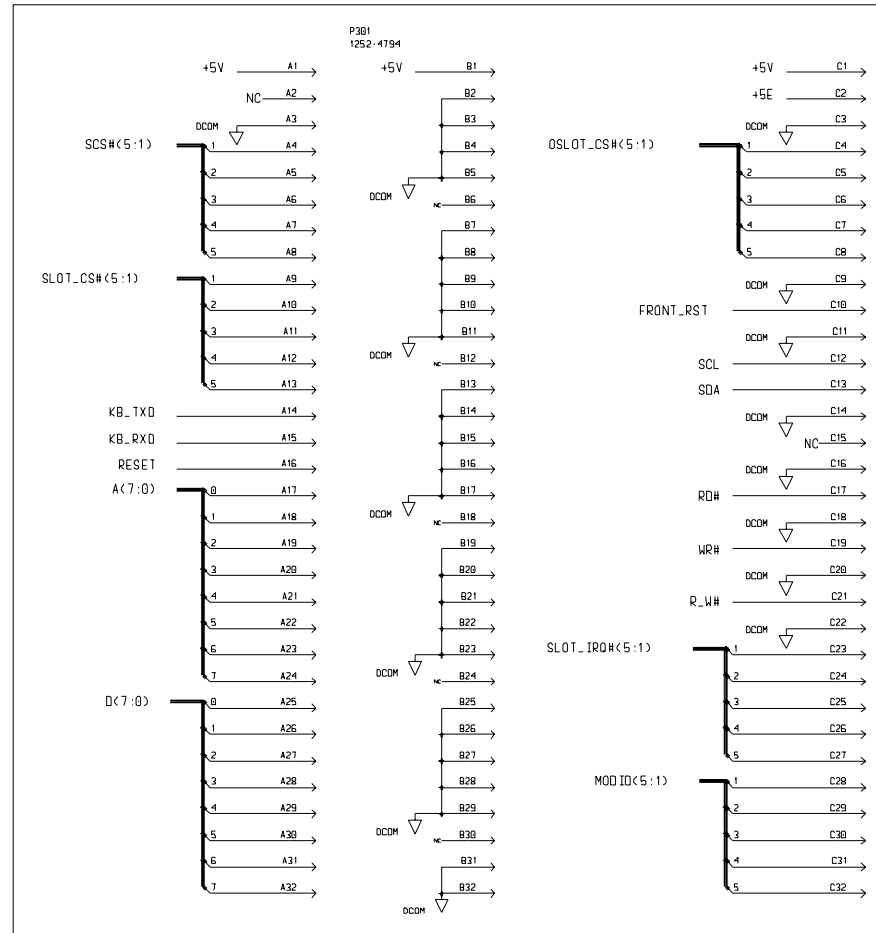
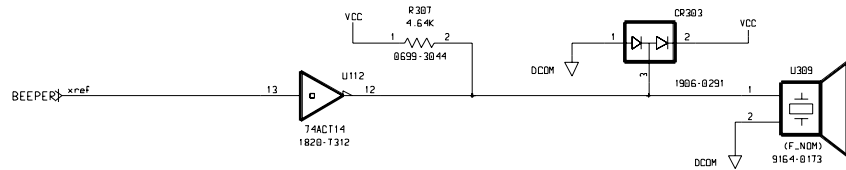
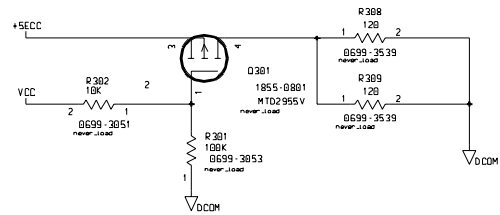
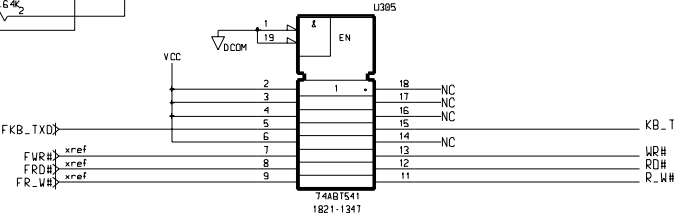
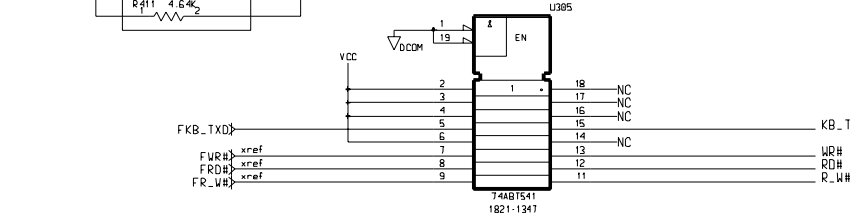
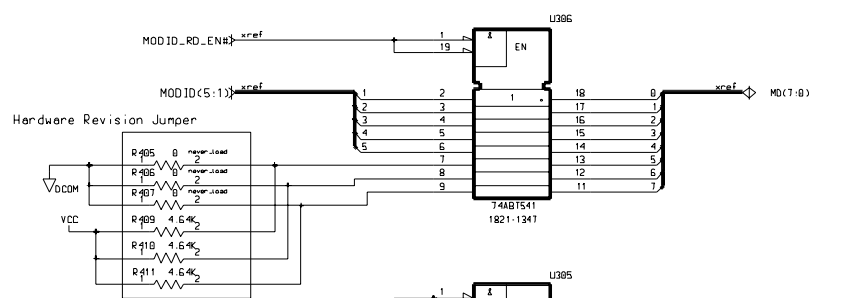
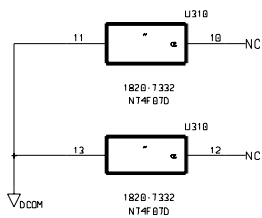
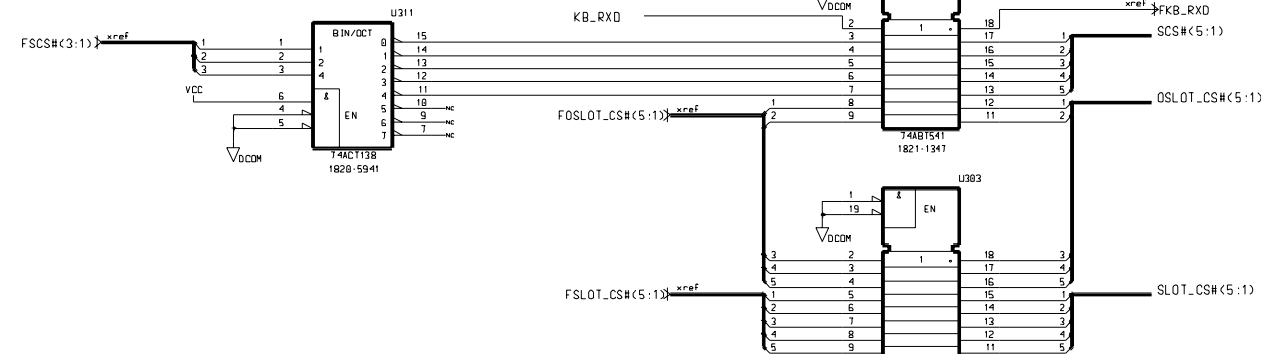
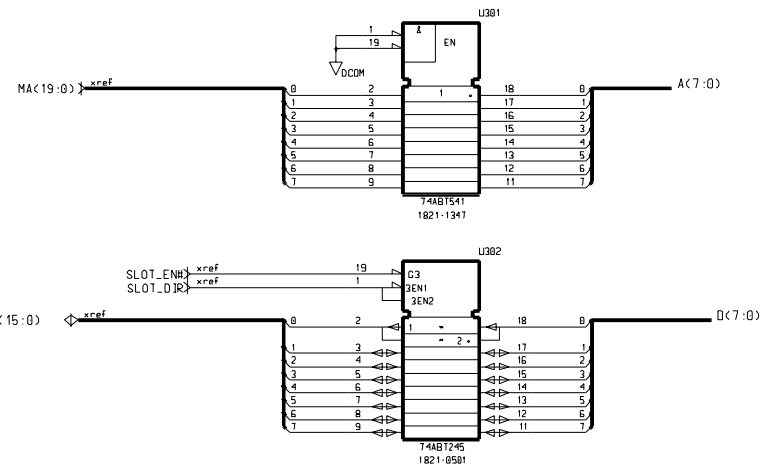
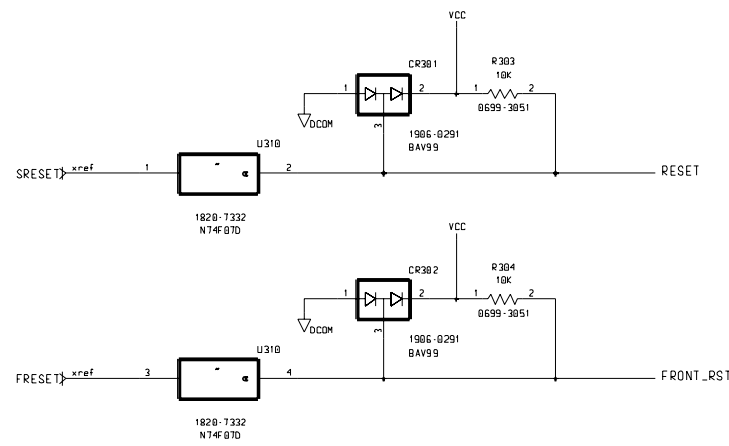
- Agilent N2272A Schematics Page 214
- Agilent N2276A/B Components Locator Page 218
- Agilent N2276A/B Schematics Page 219
- Agilent N2280A/N2281A Components Locator Page 222
- Agilent N2280A/N2281A Schematics Page 223
- Agilent N2282A Components Locator Page 224
- Agilent N2282A Schematics Page 225
- Agilent 44470D Components Locator Page 227
- Agilent 44470D Schematics Page 228
- Agilent 44480B Components Locator & Schematics Page 232
- Agilent 44471D Components Locator Page 233
- Agilent 44471D Schematics Page 234
- Agilent 44481B Components Locator & Schematics Page 238

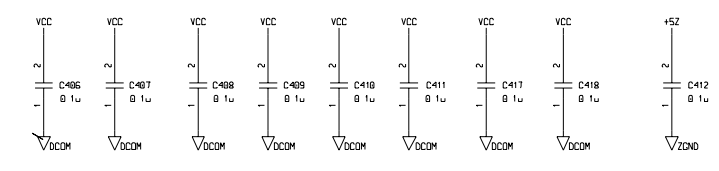
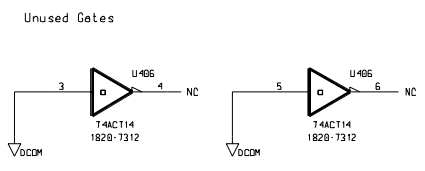
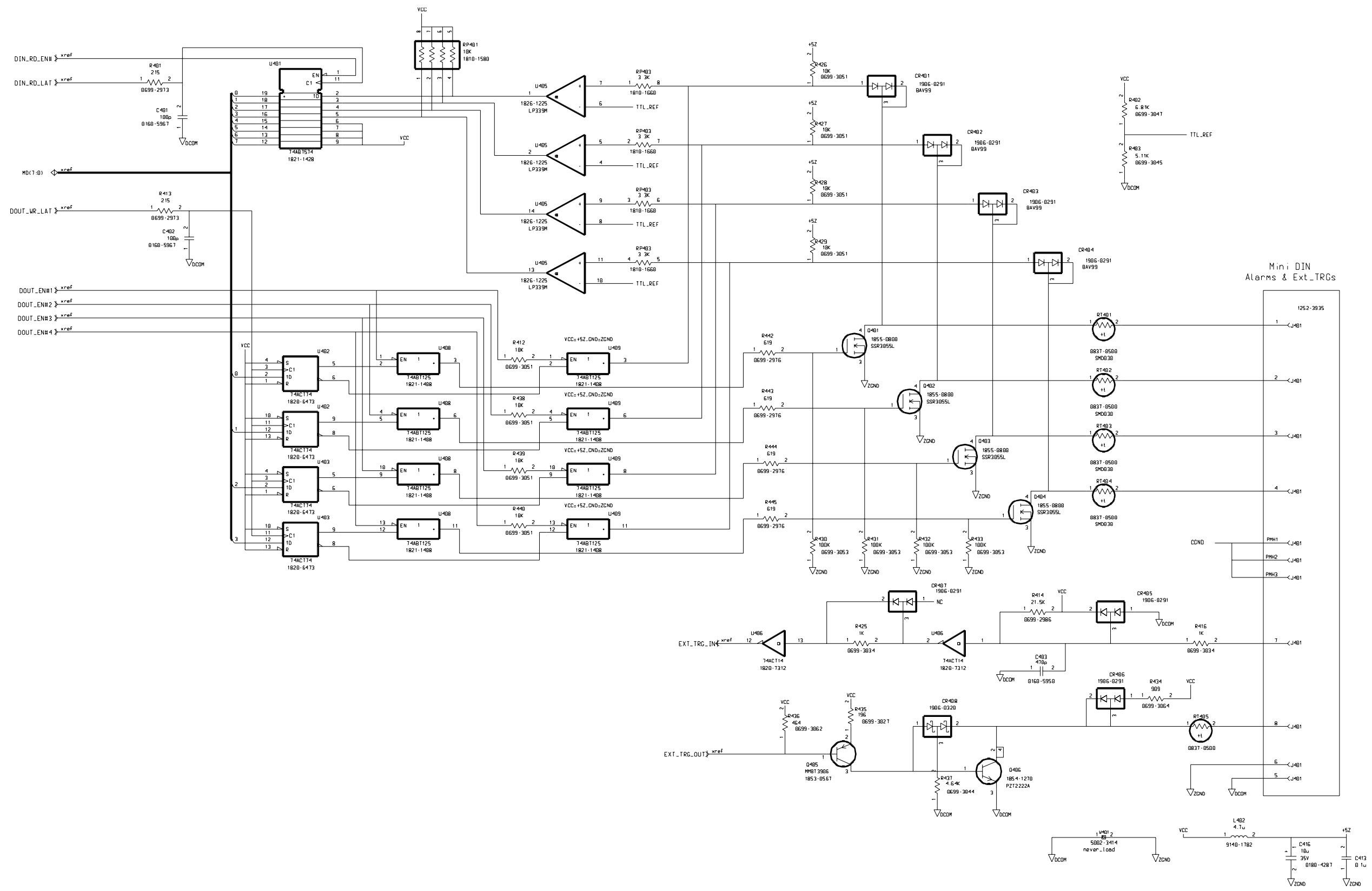


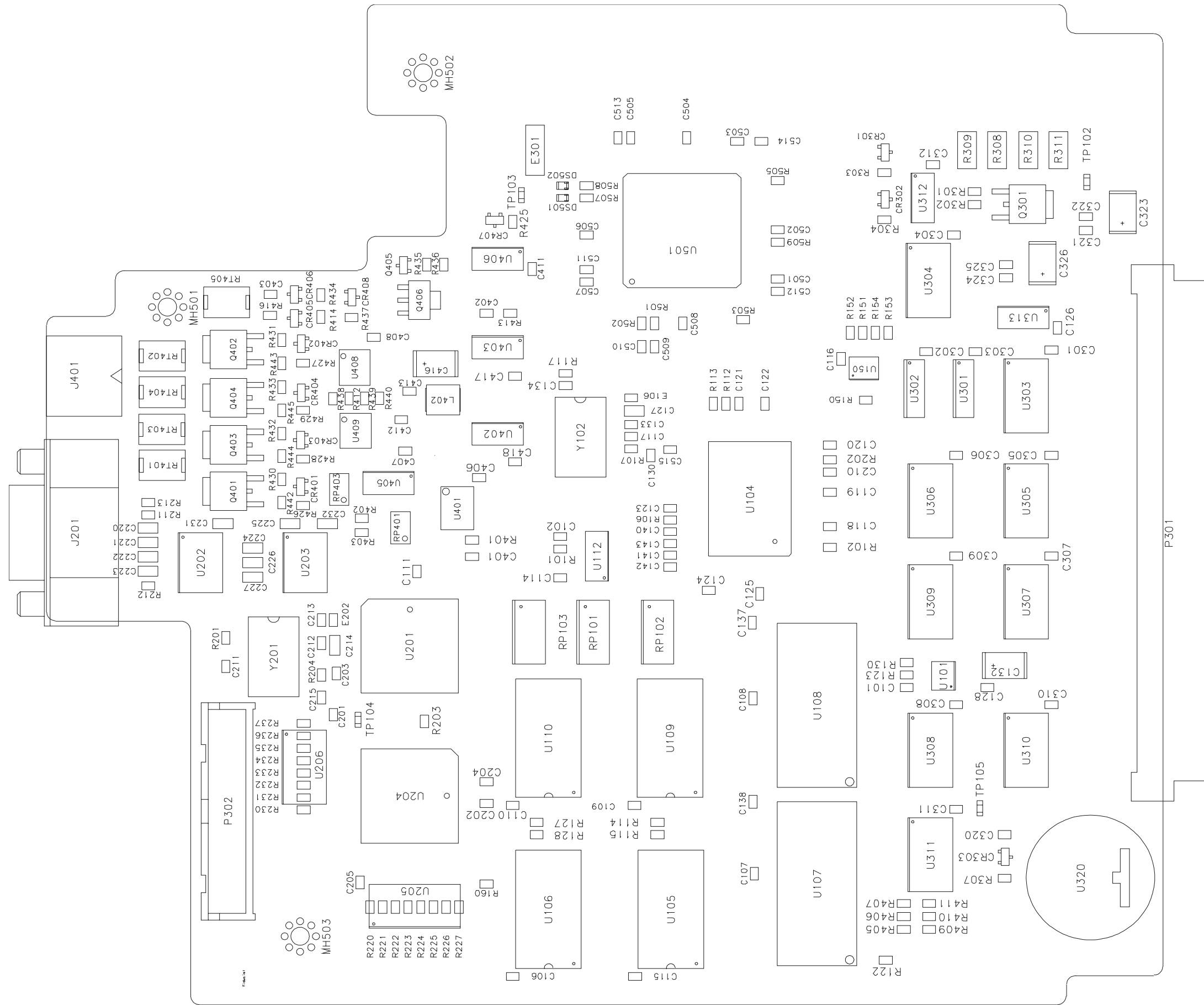


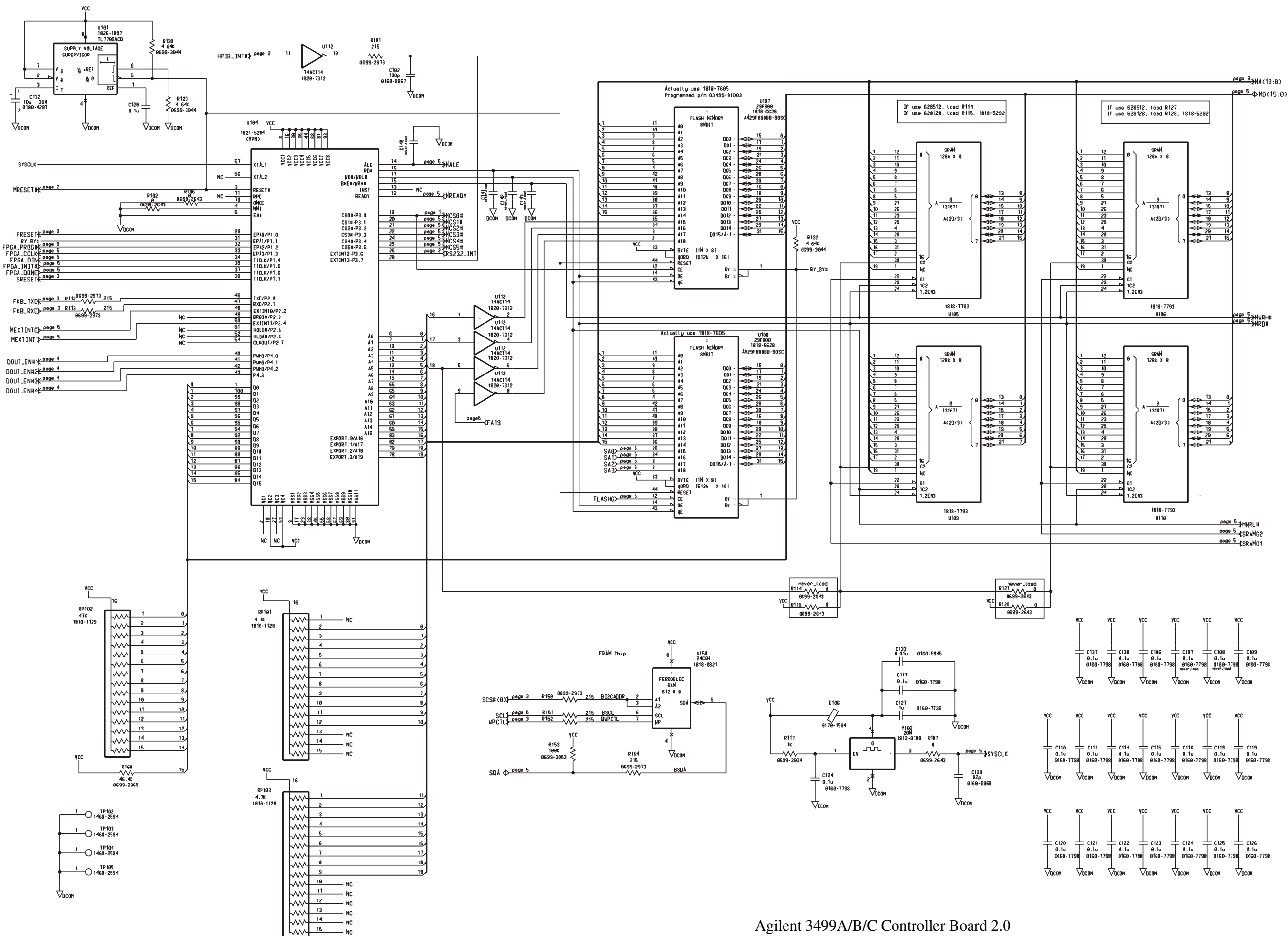
Agilent 3499A/B/C Controller Board 1.0
 Schematic (Sheet 1 of 5)
 Page 132



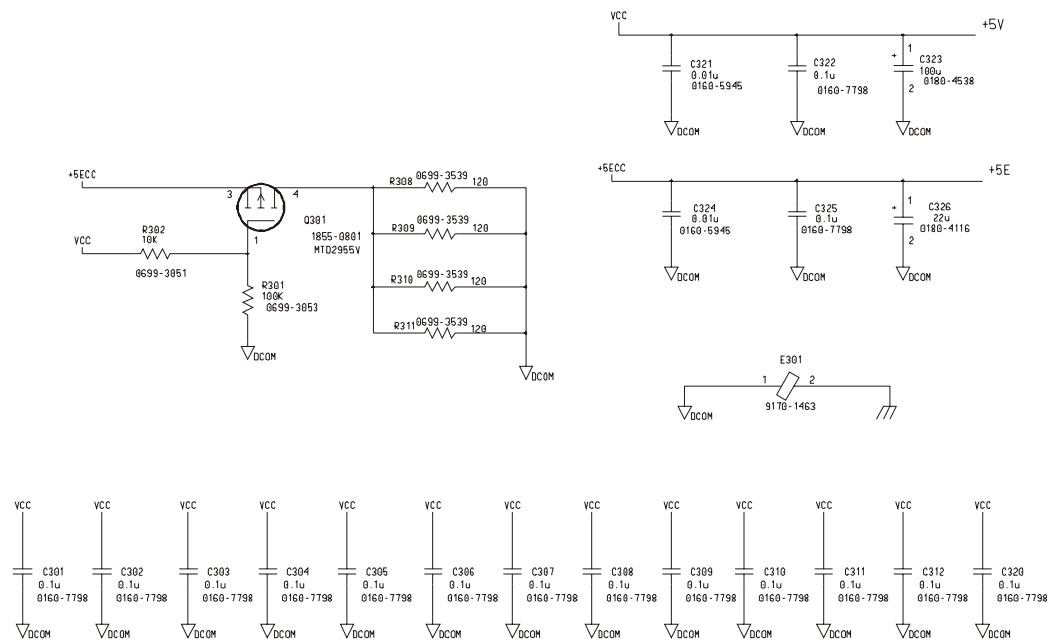
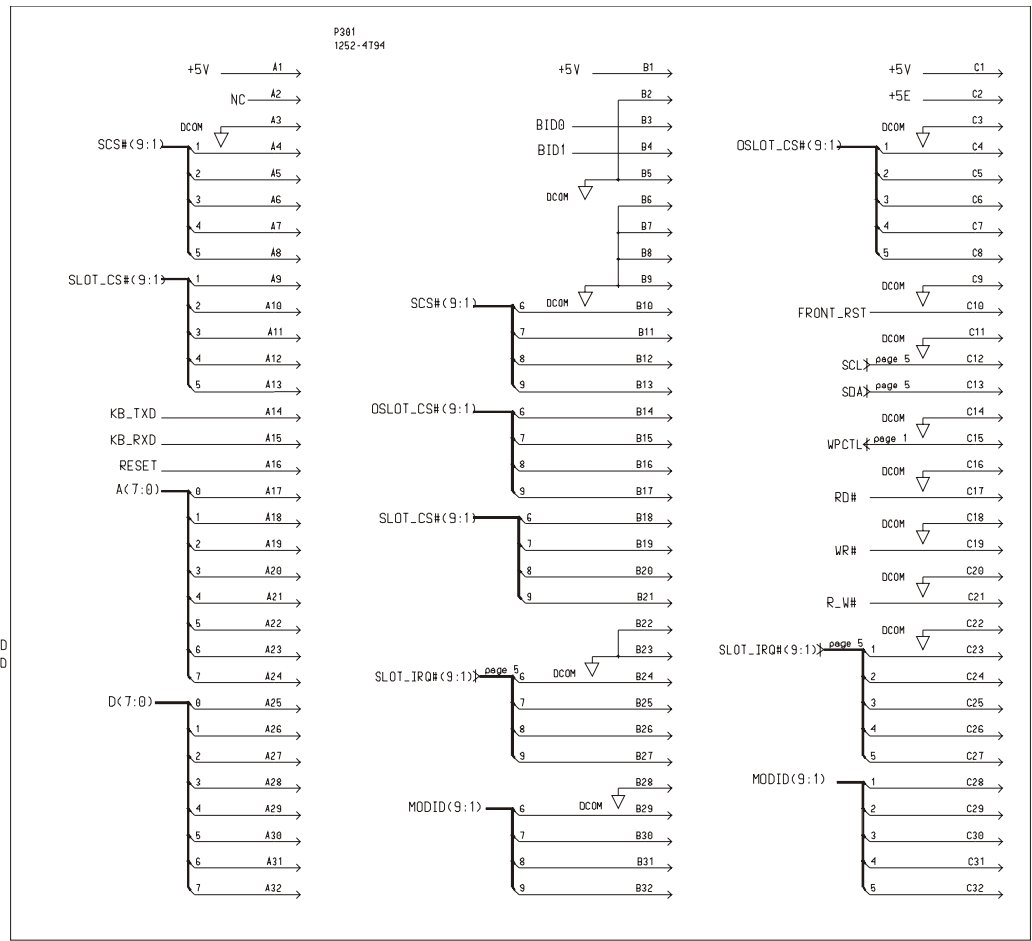
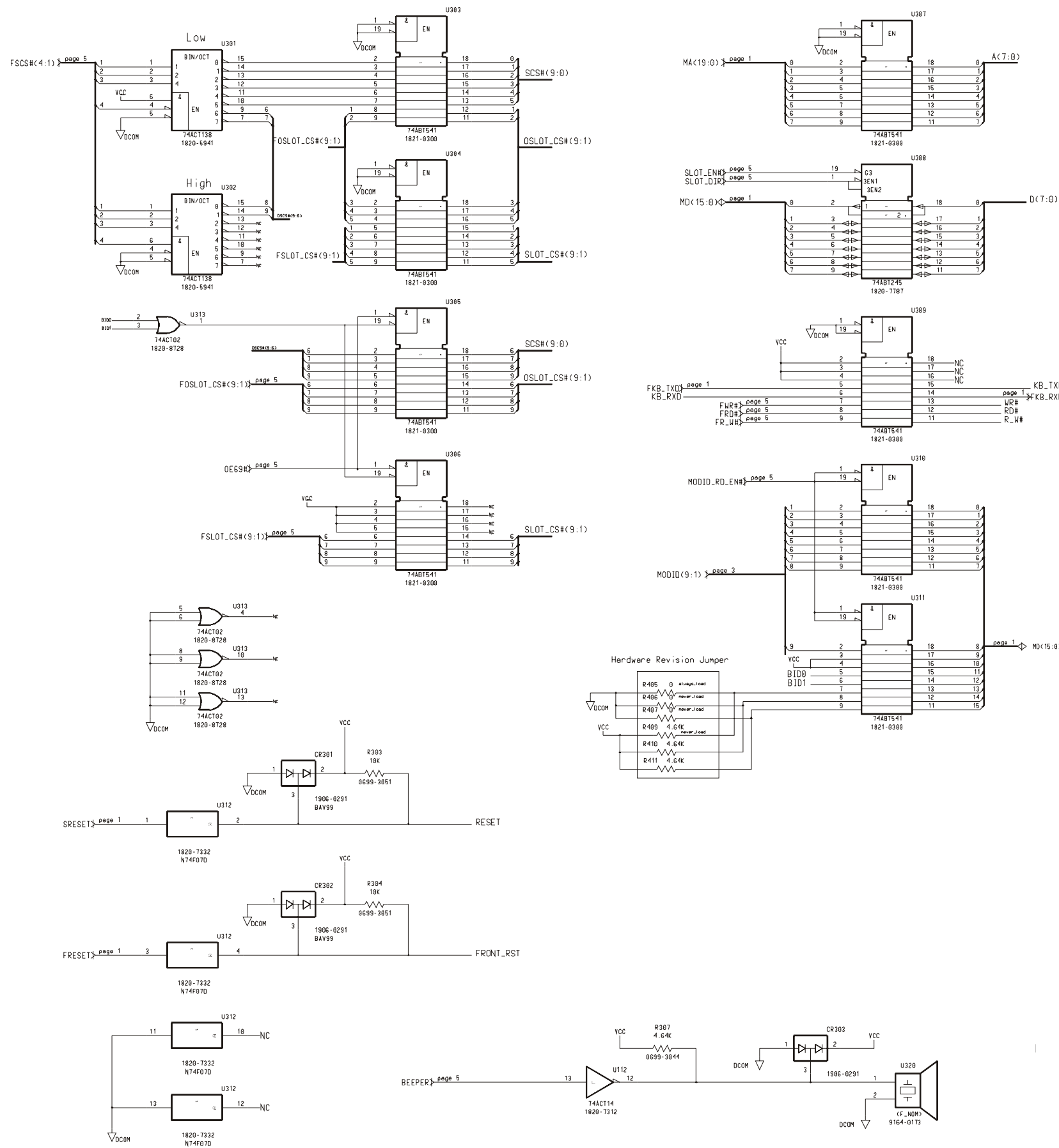


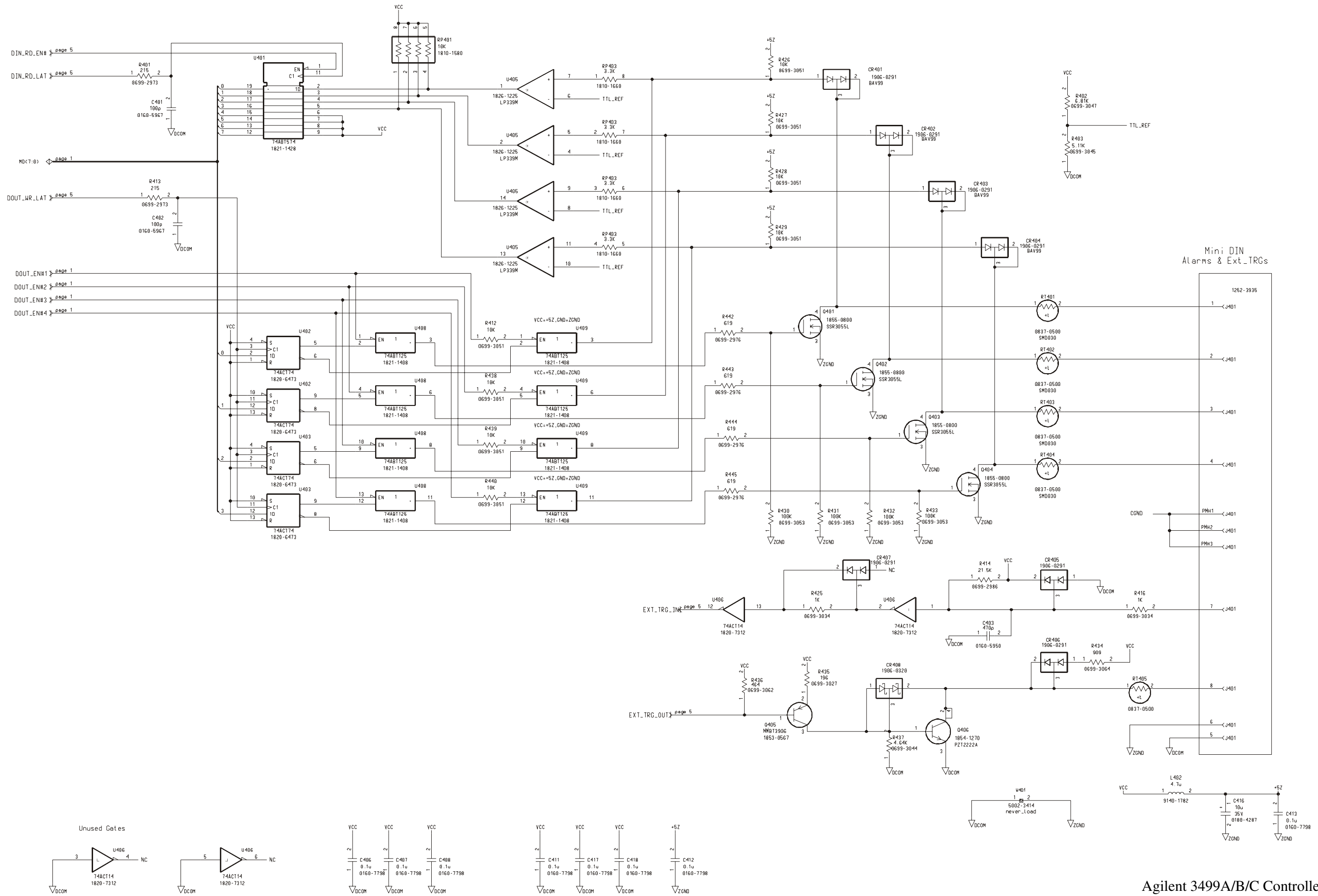


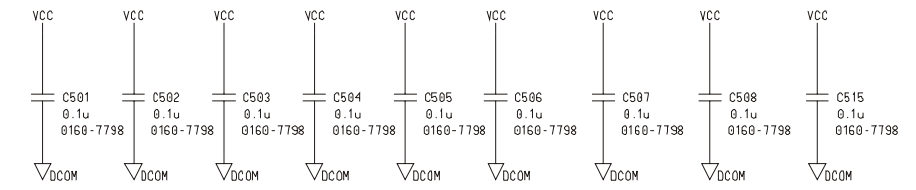
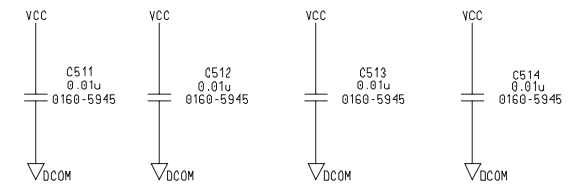
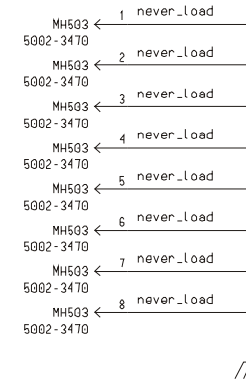
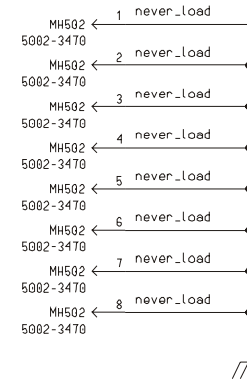
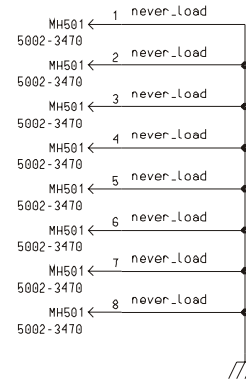
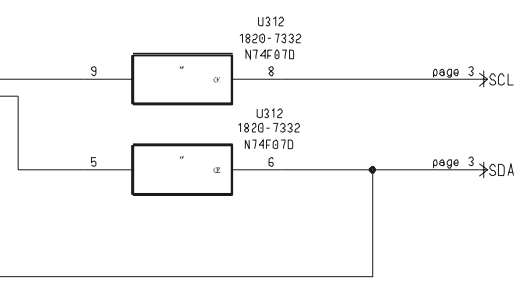
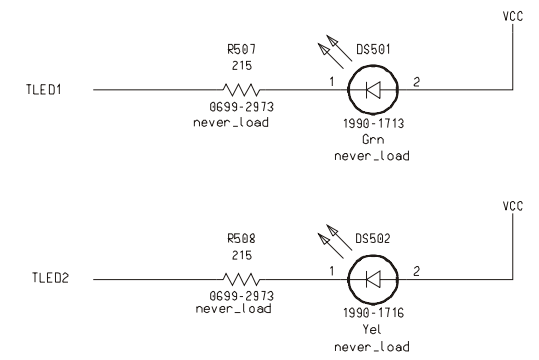
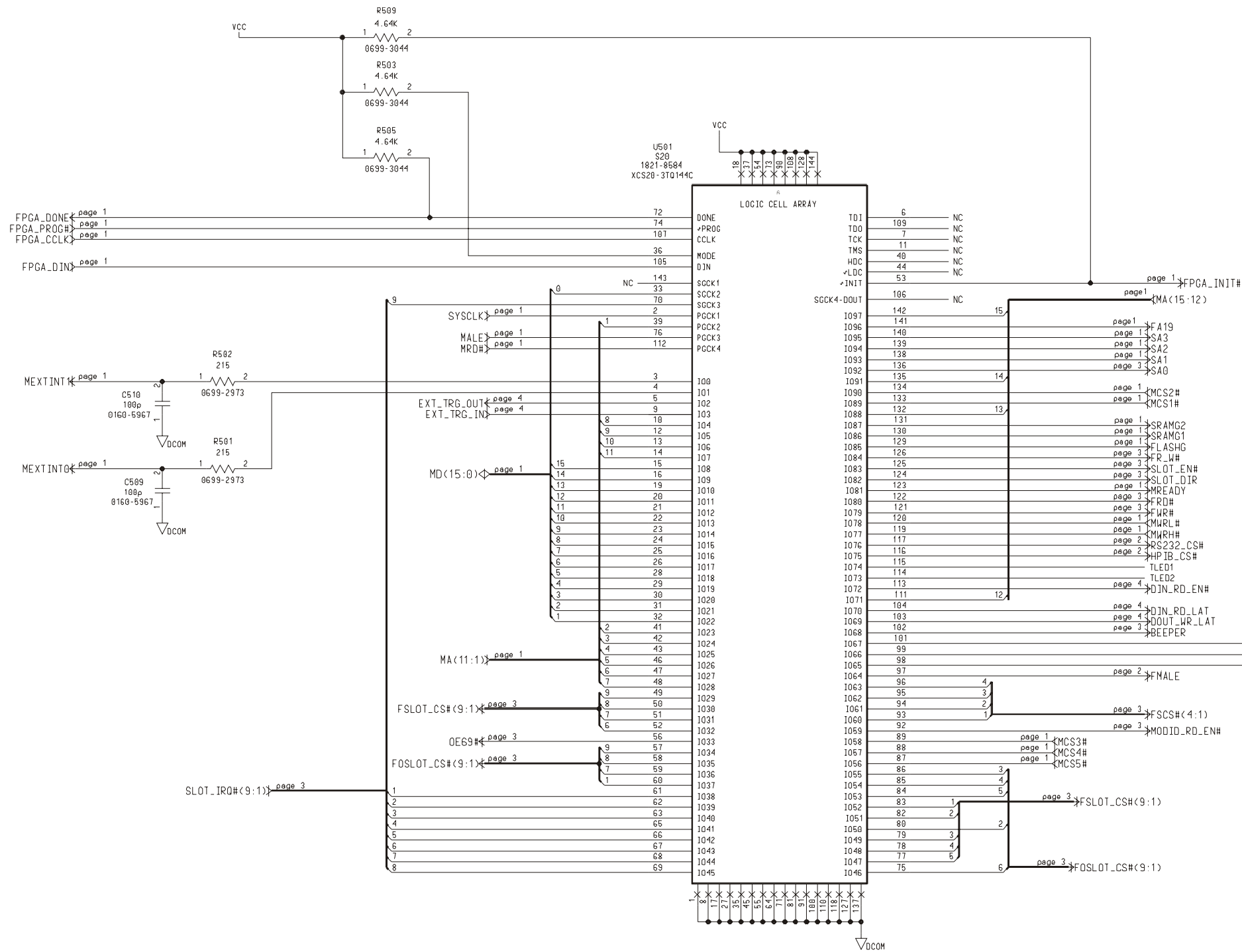


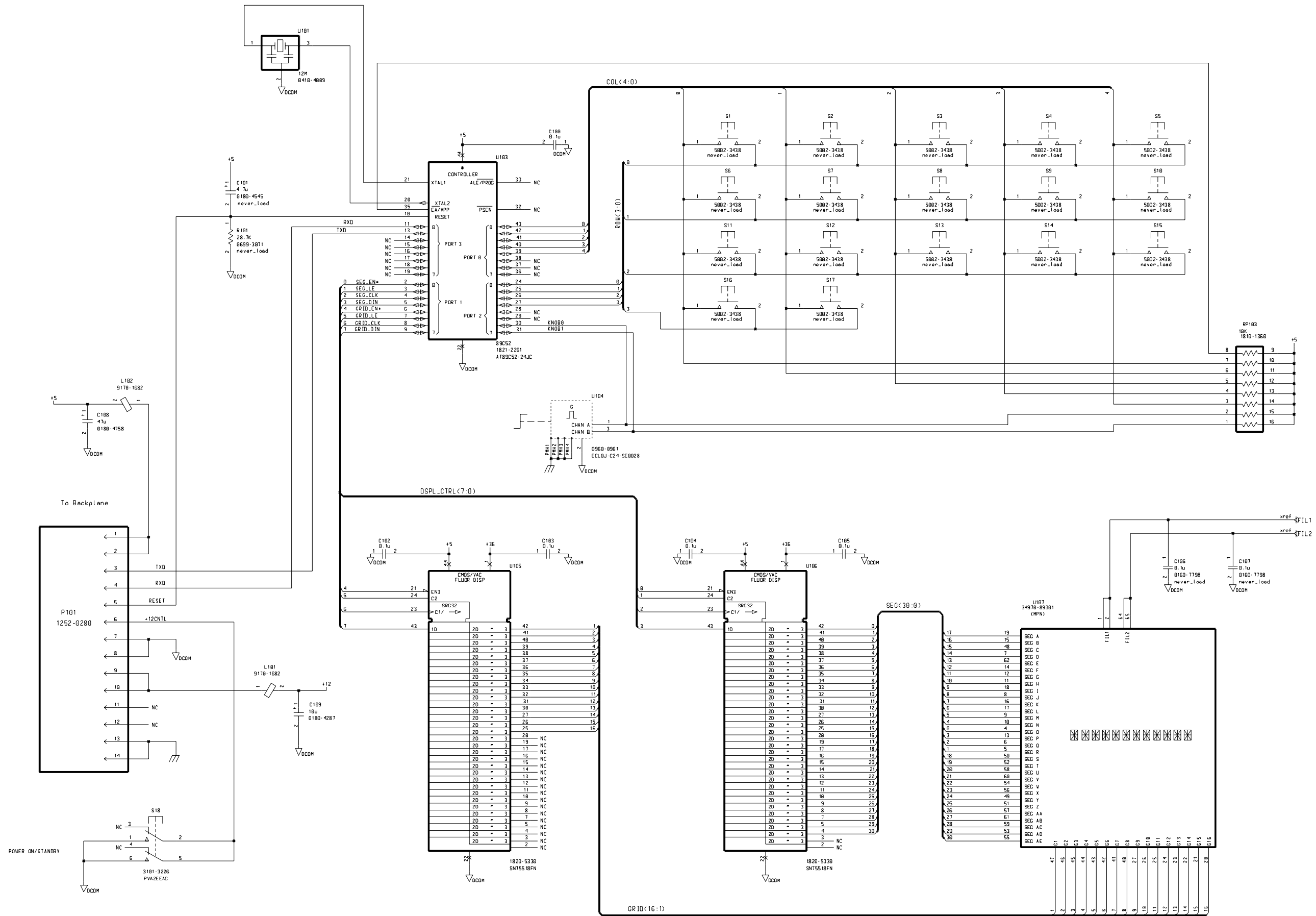


Agilent 3499A/B/C Controller Board 2.0
 Schematic (Sheet 1 of 5)
 Page 138

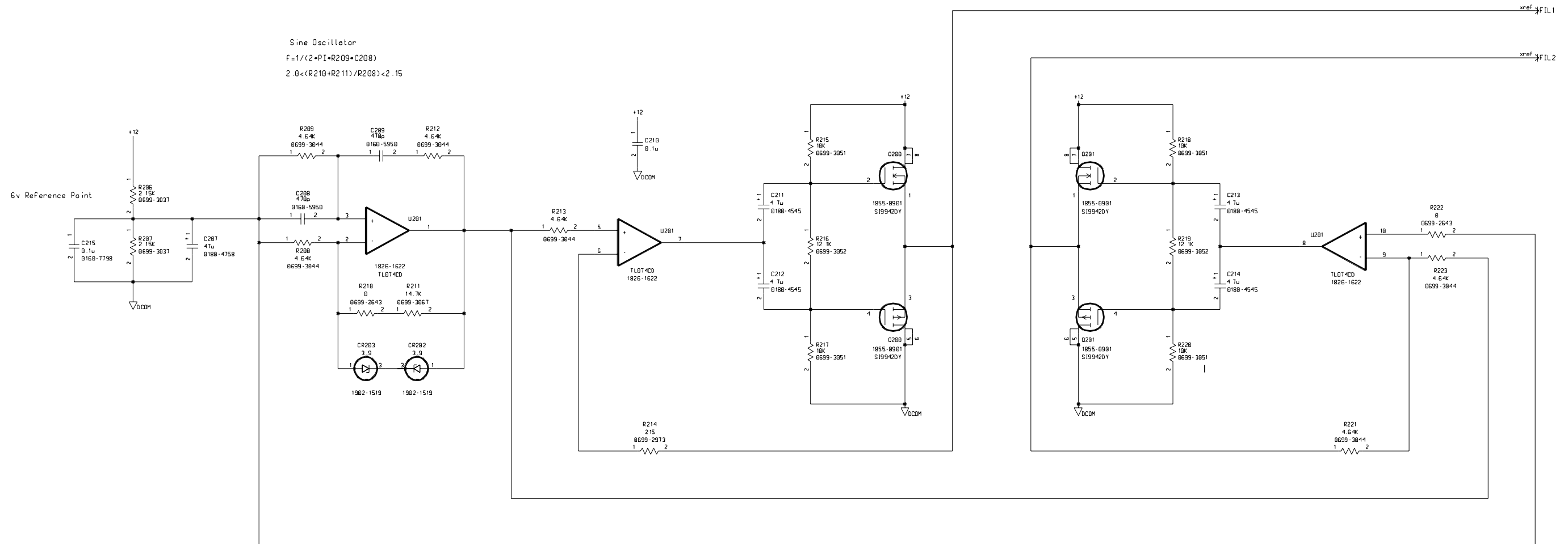
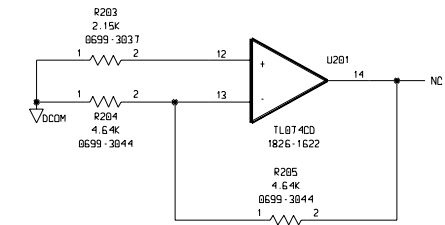
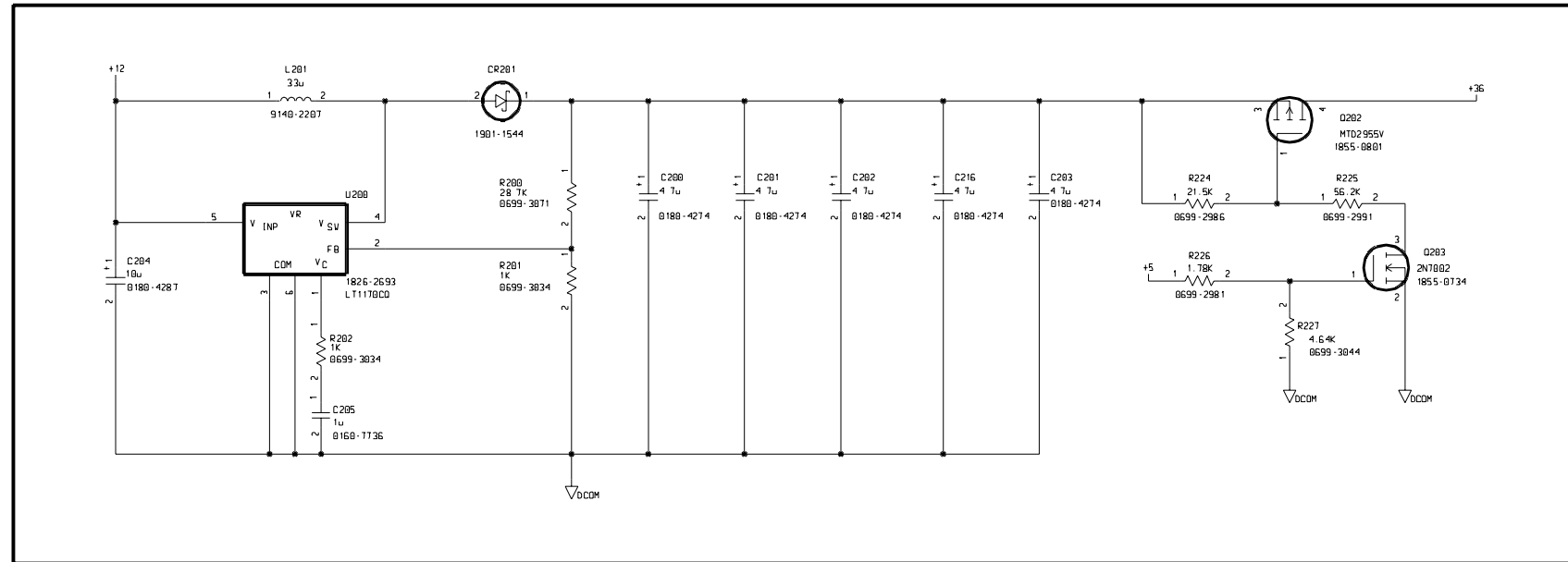


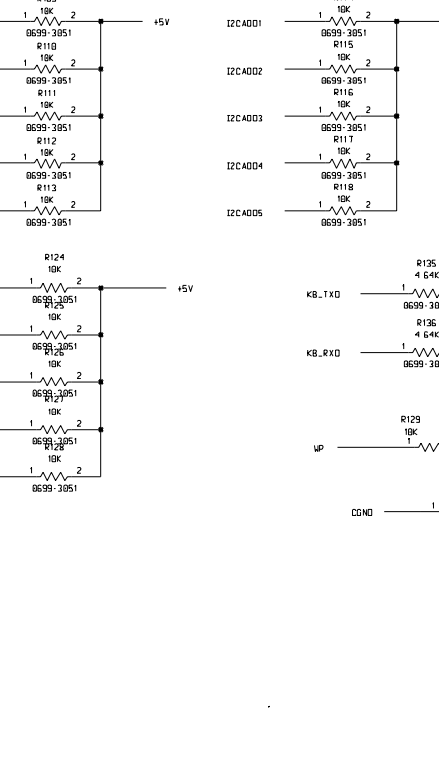
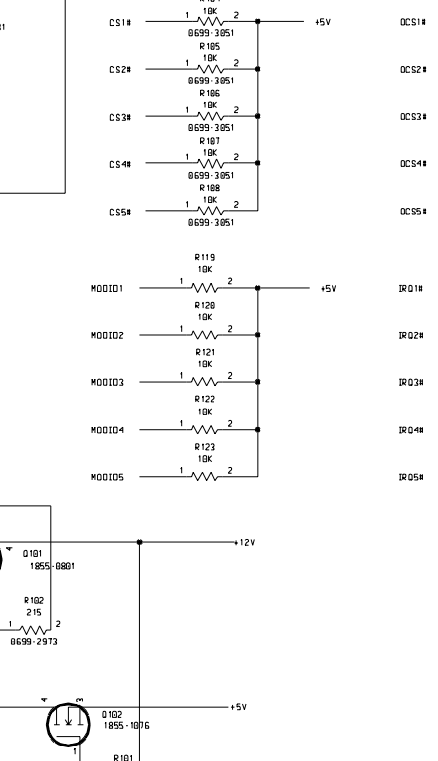
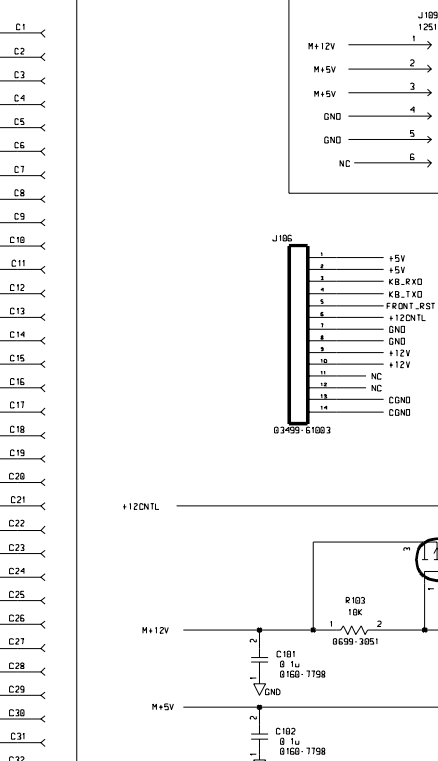
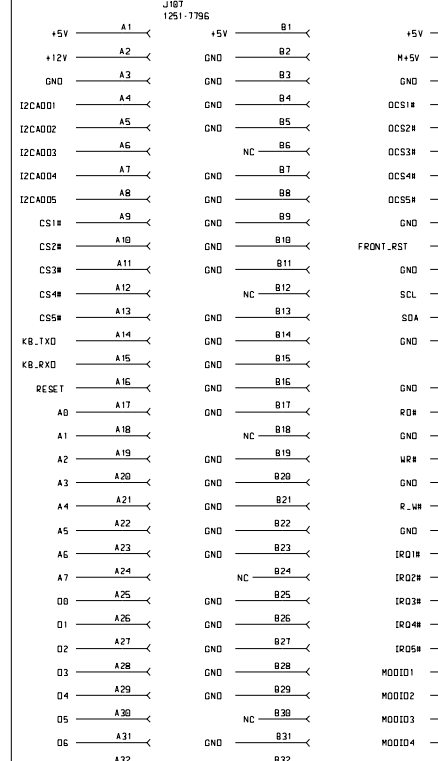
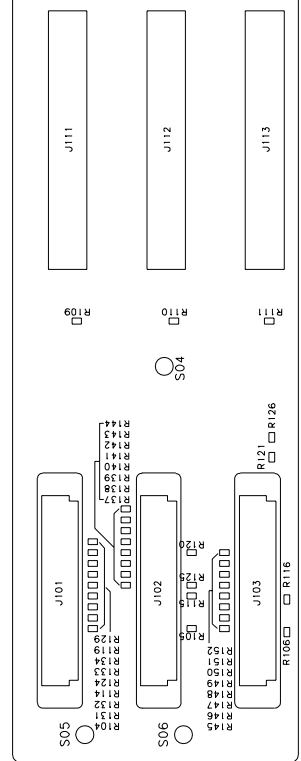
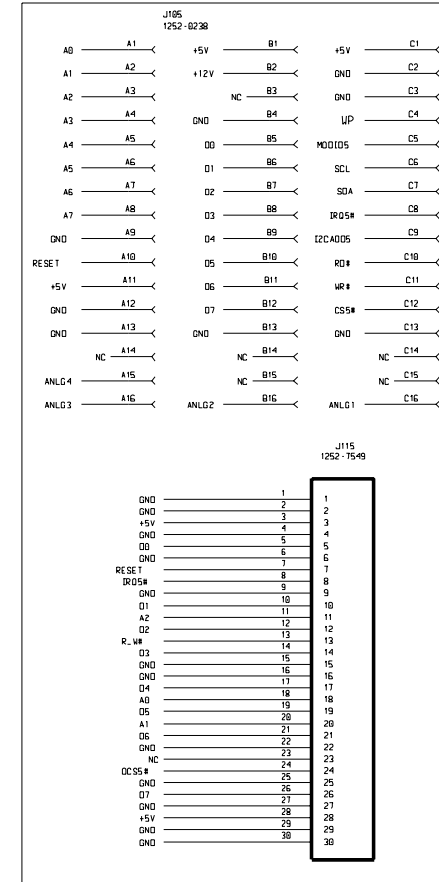
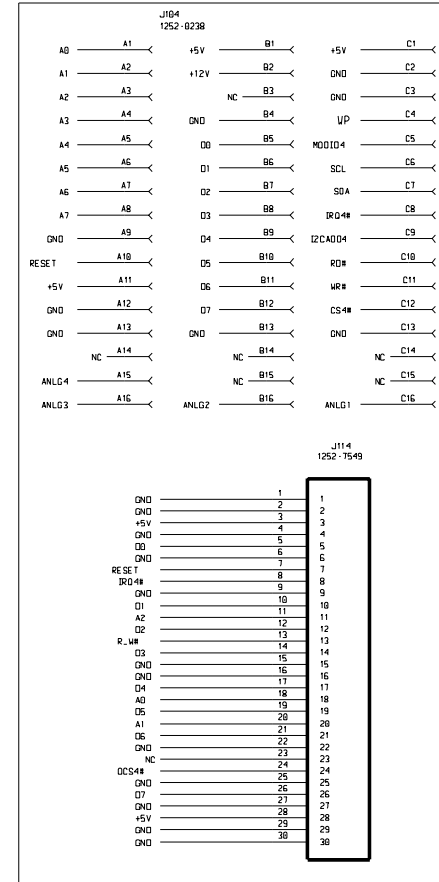
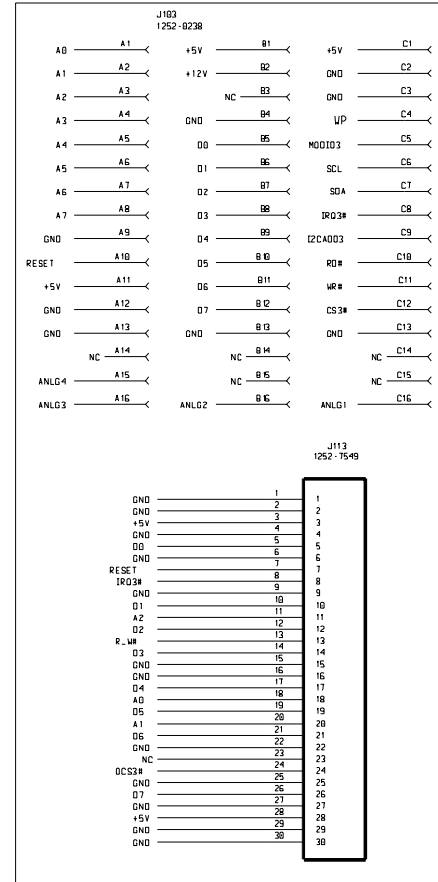
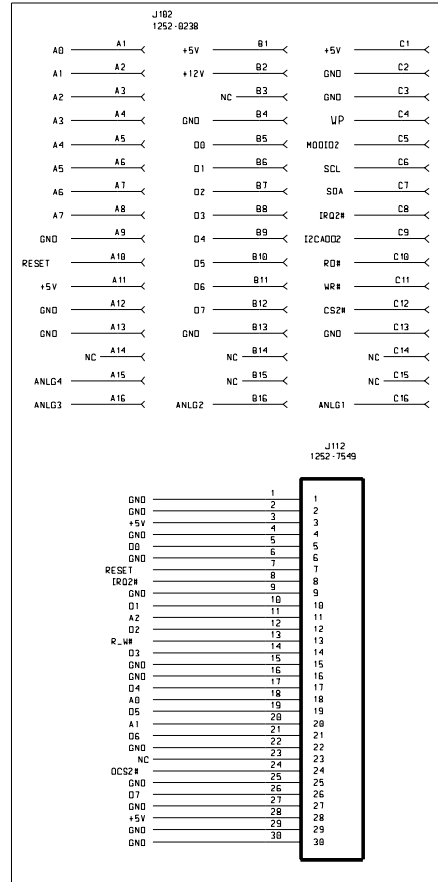
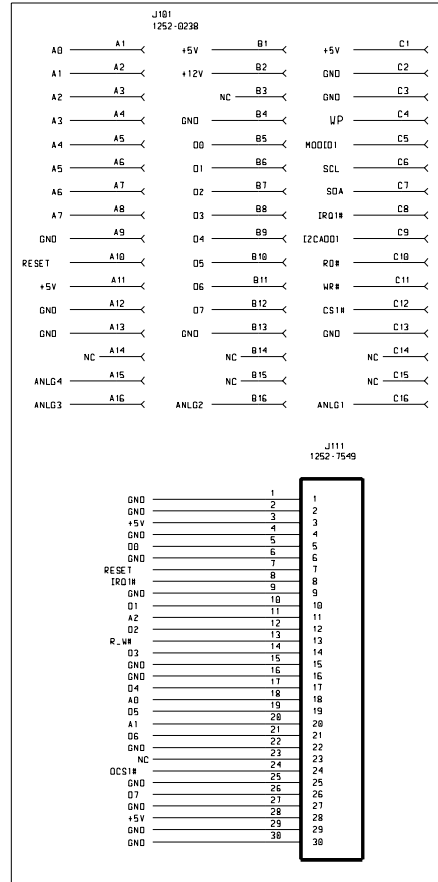
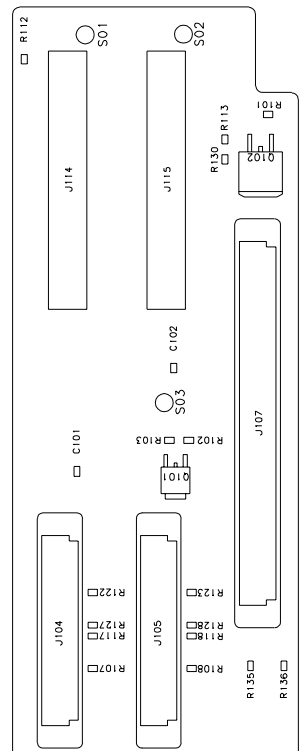


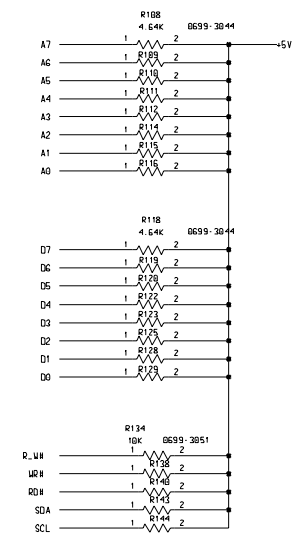
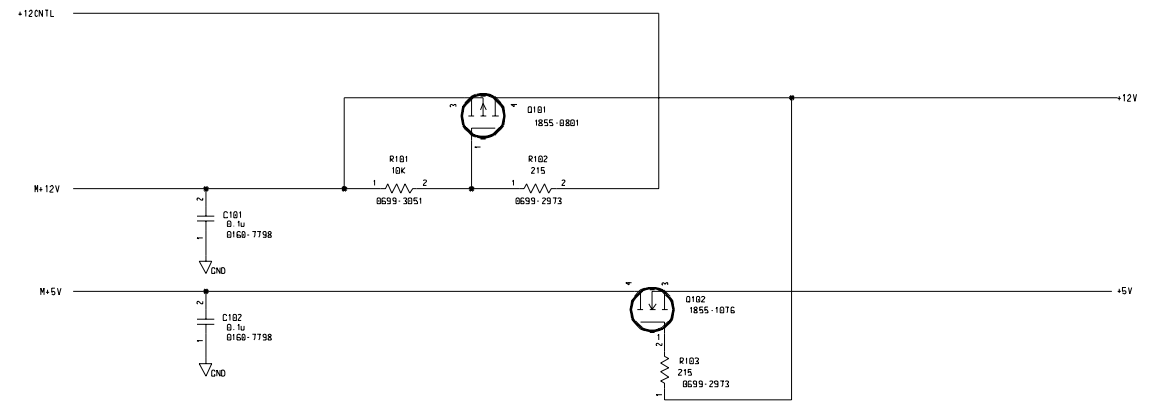
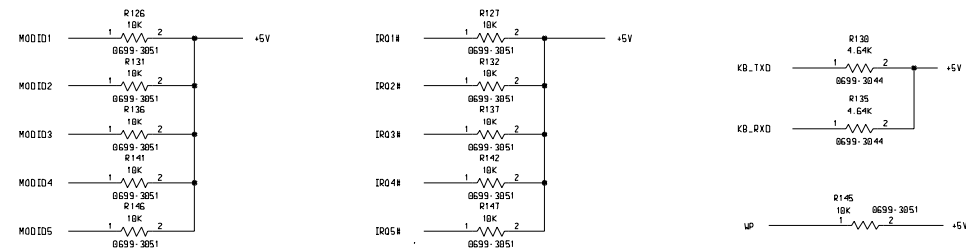
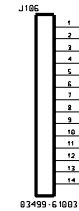
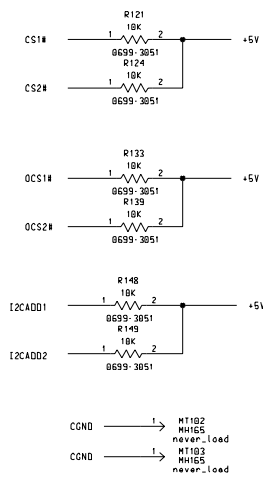
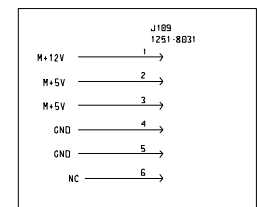
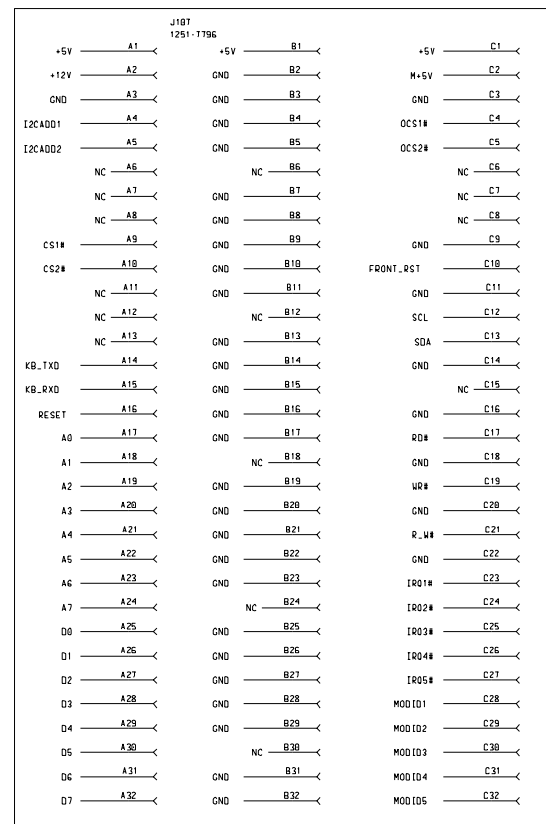
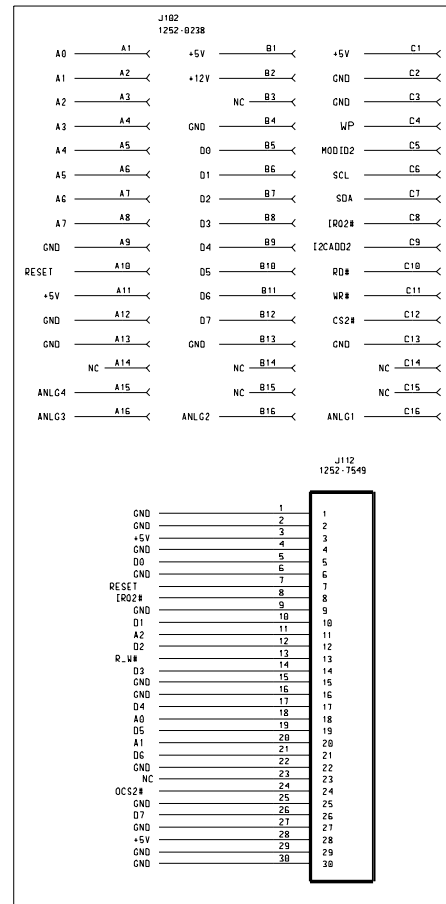
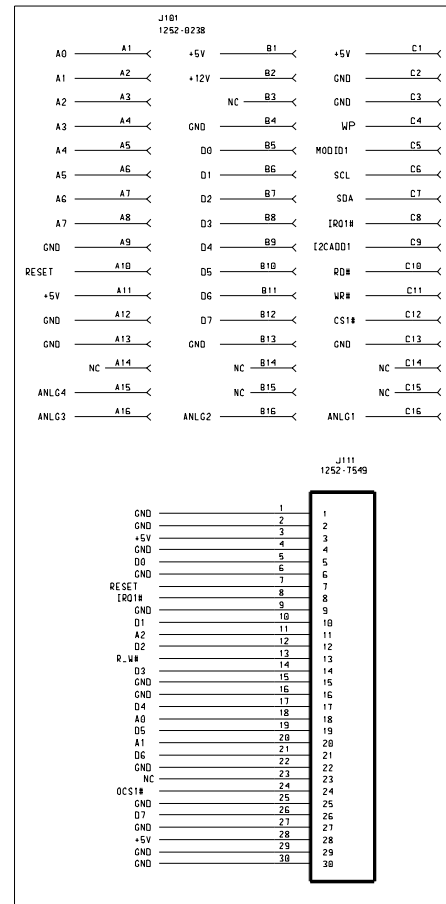
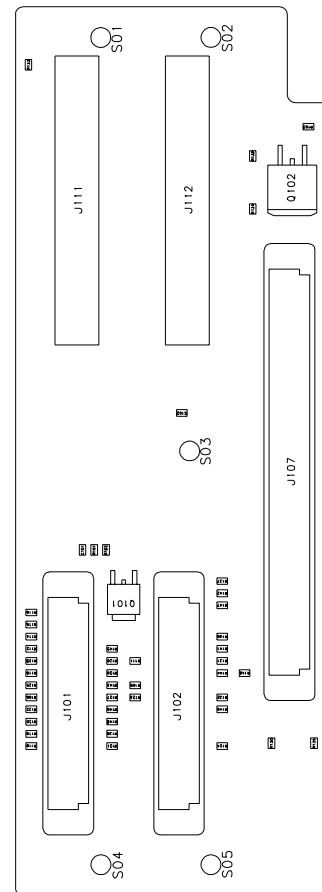
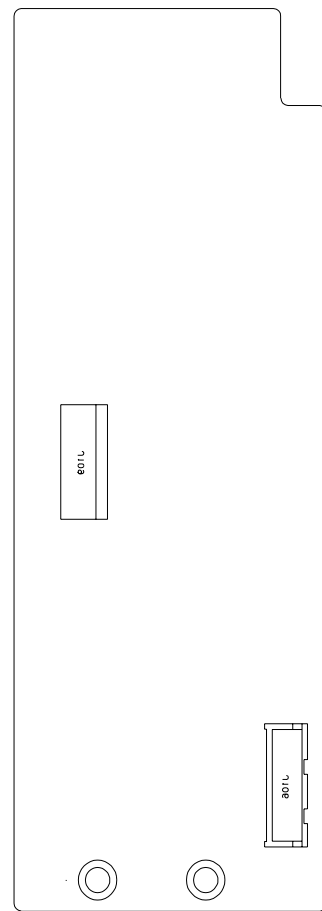


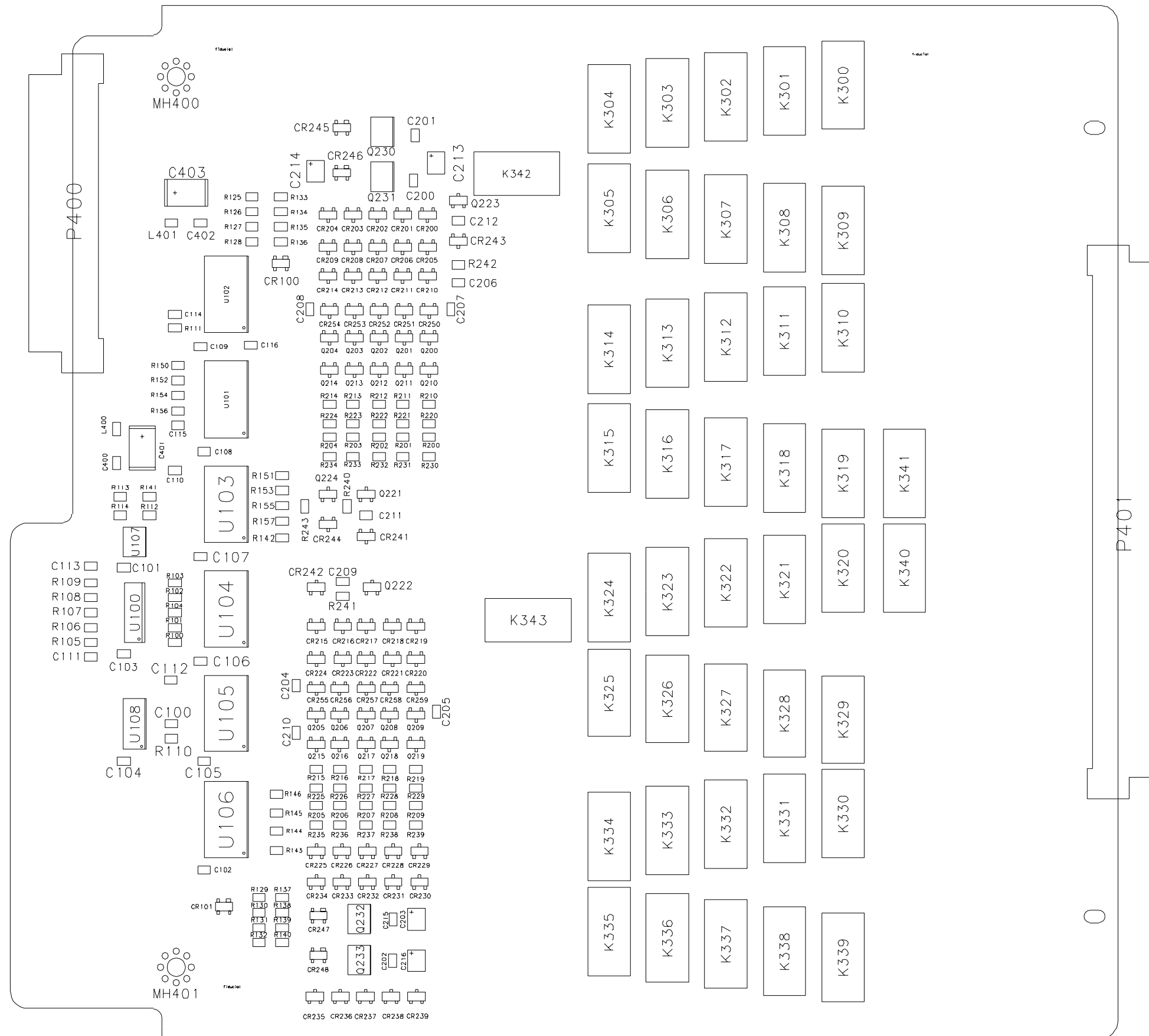


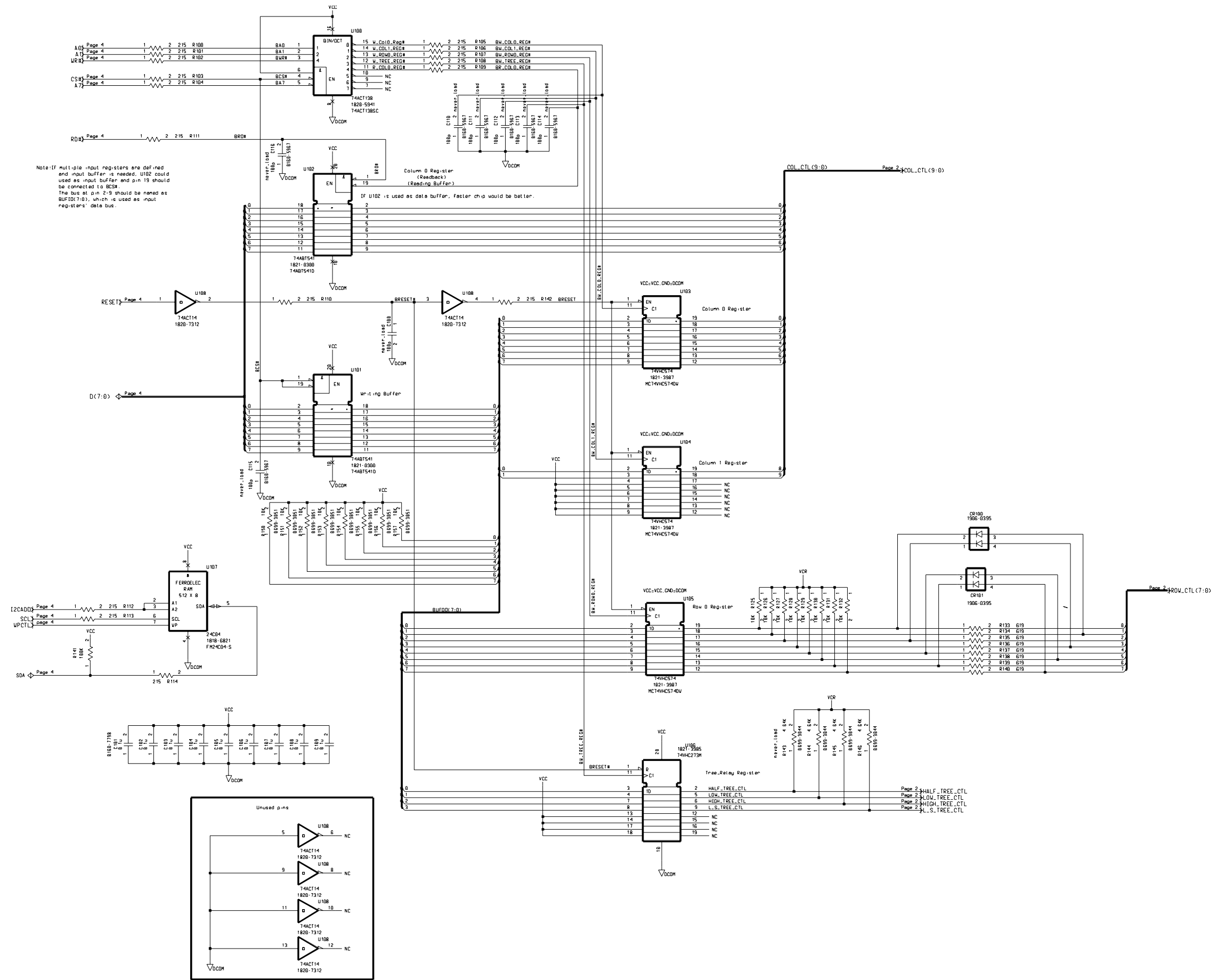
DC(12v) to DC (36v) Converter
 $V_o = (1 + (R_{200}/R_{201})) * 1.24$

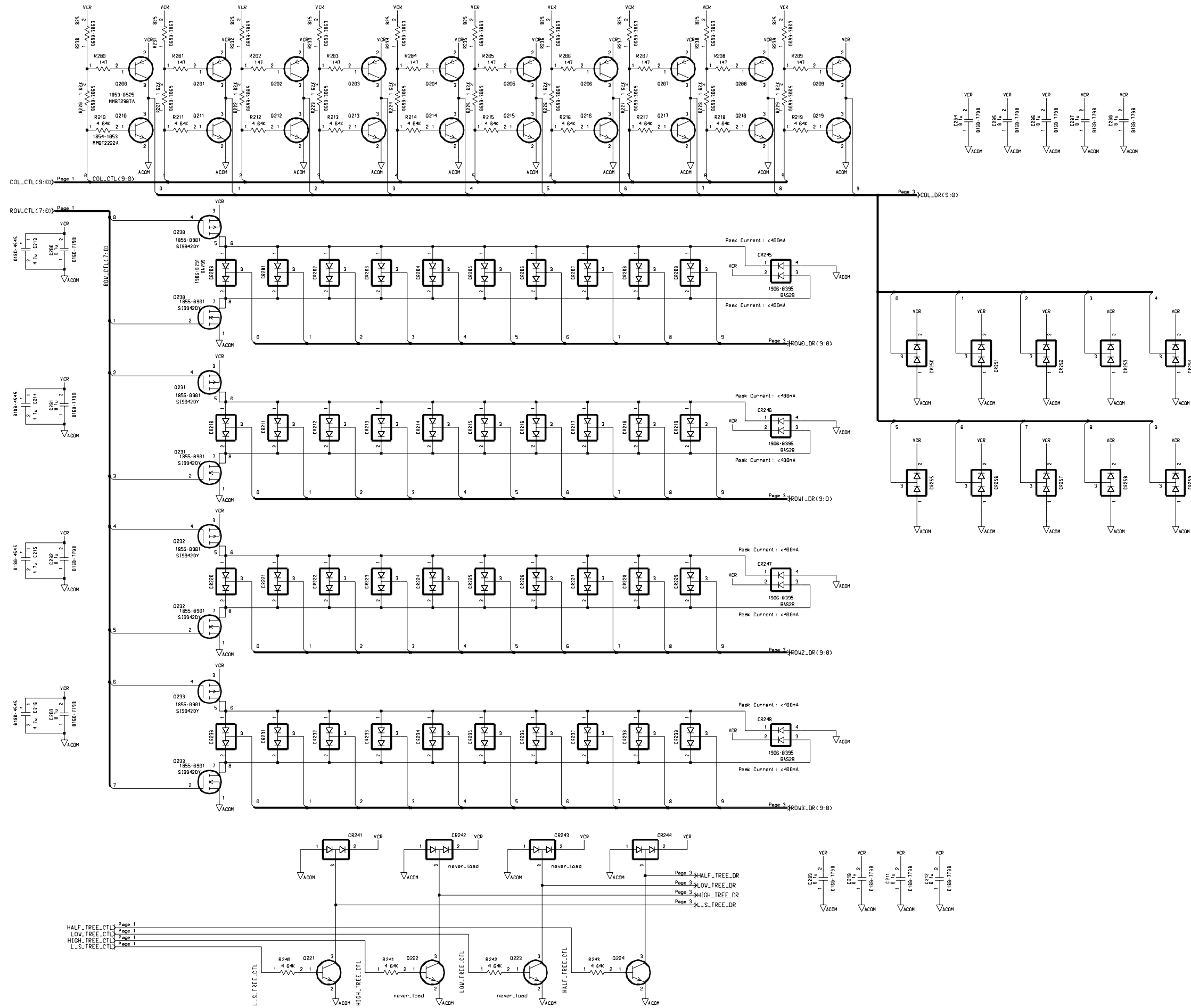


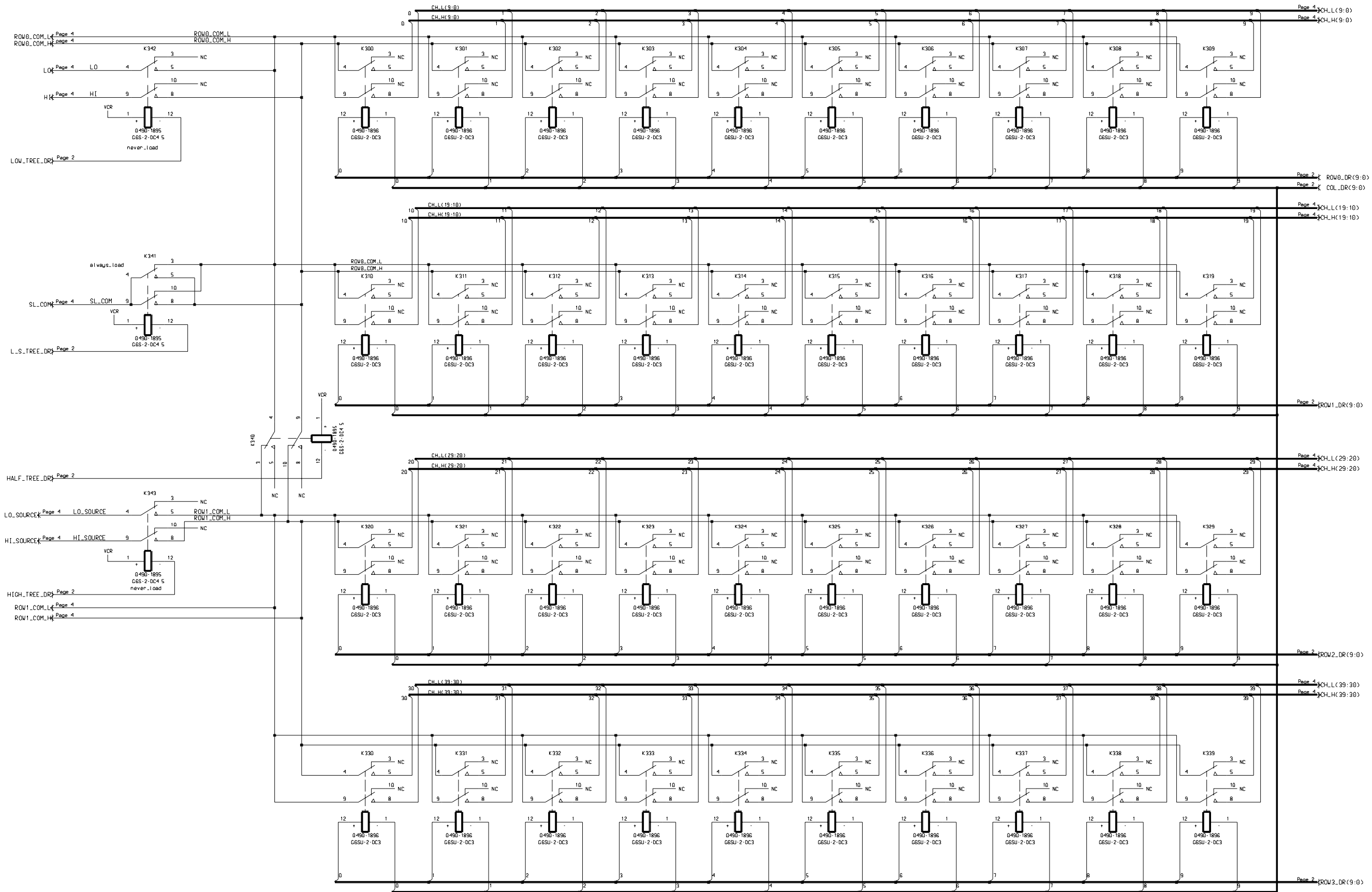




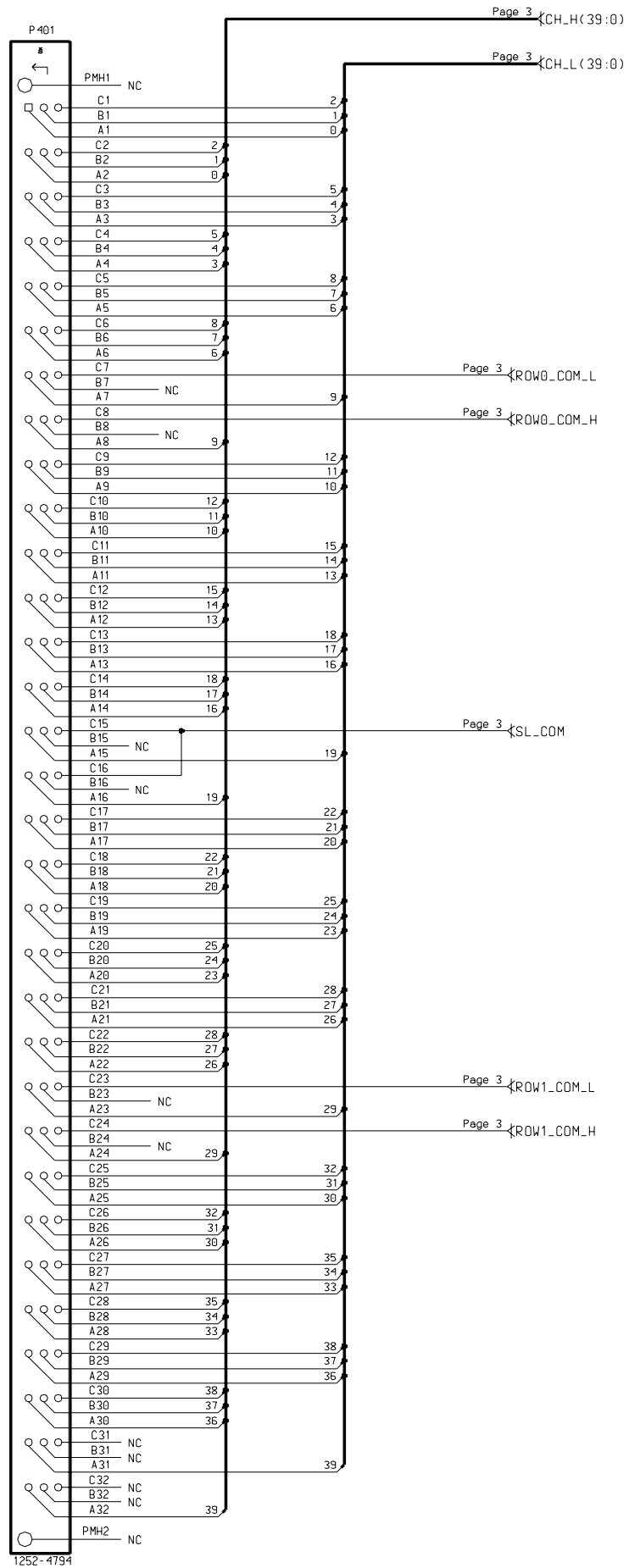








Relay Specification : 1A/200V

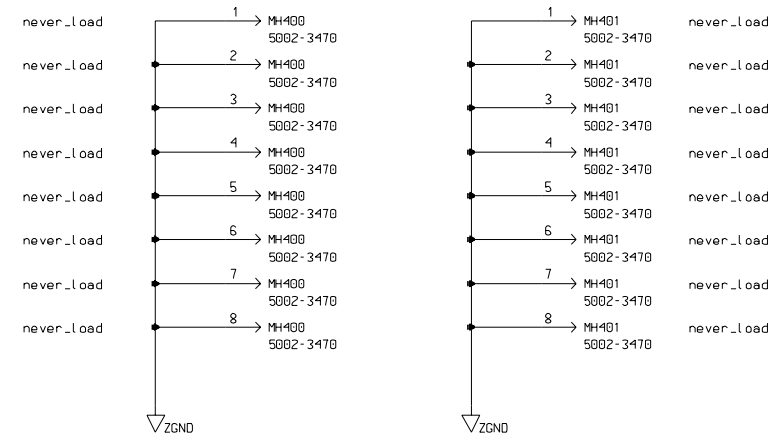
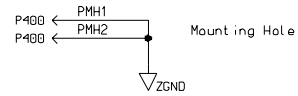
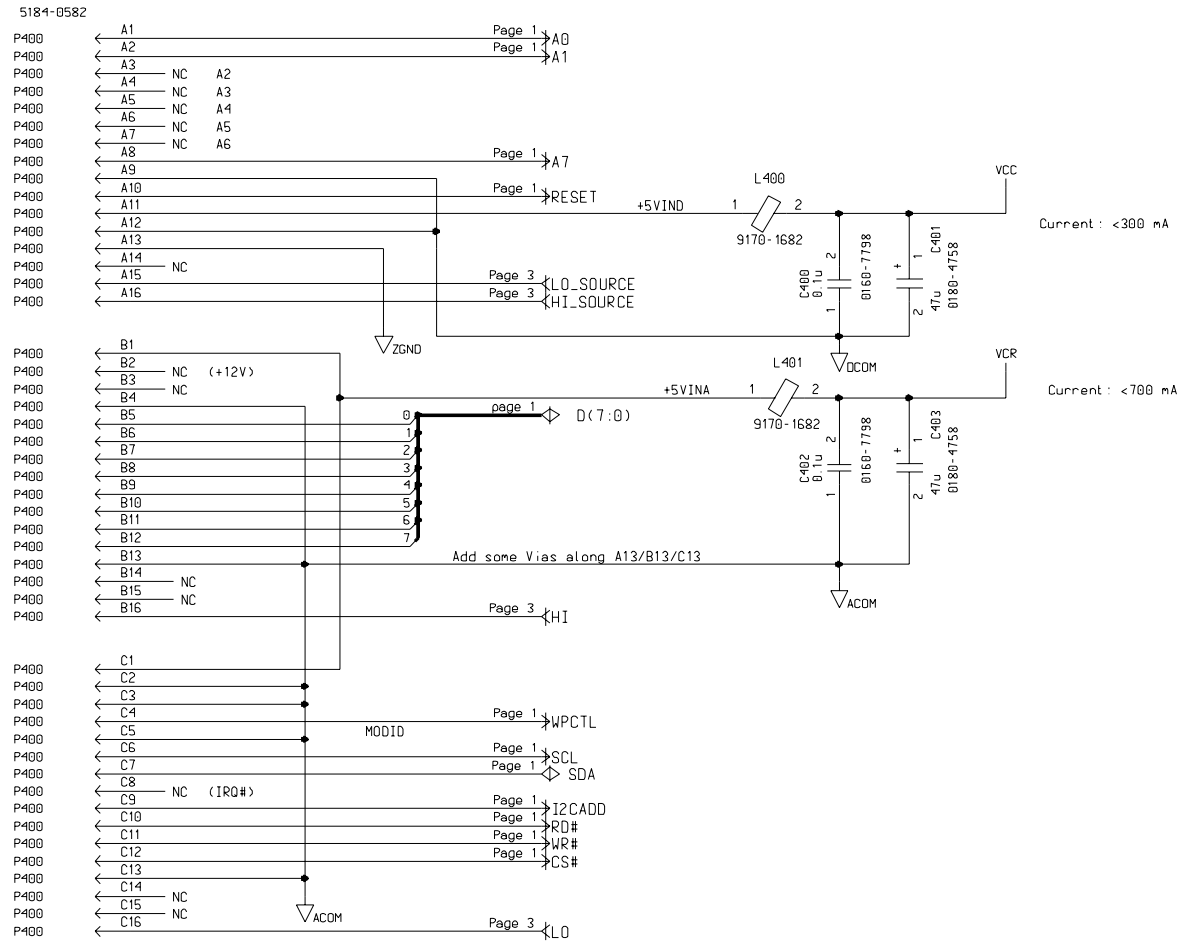


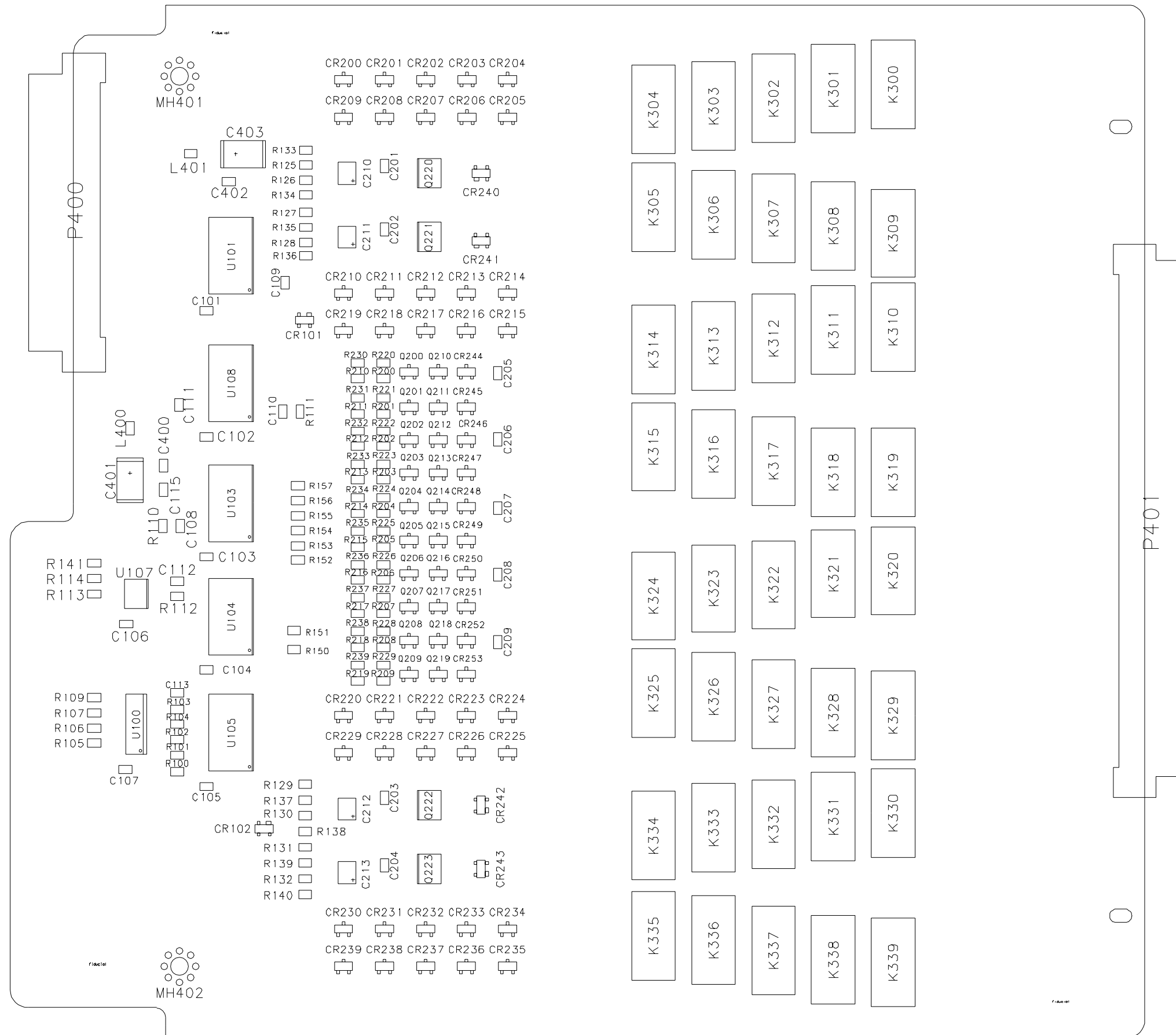
1252-4794

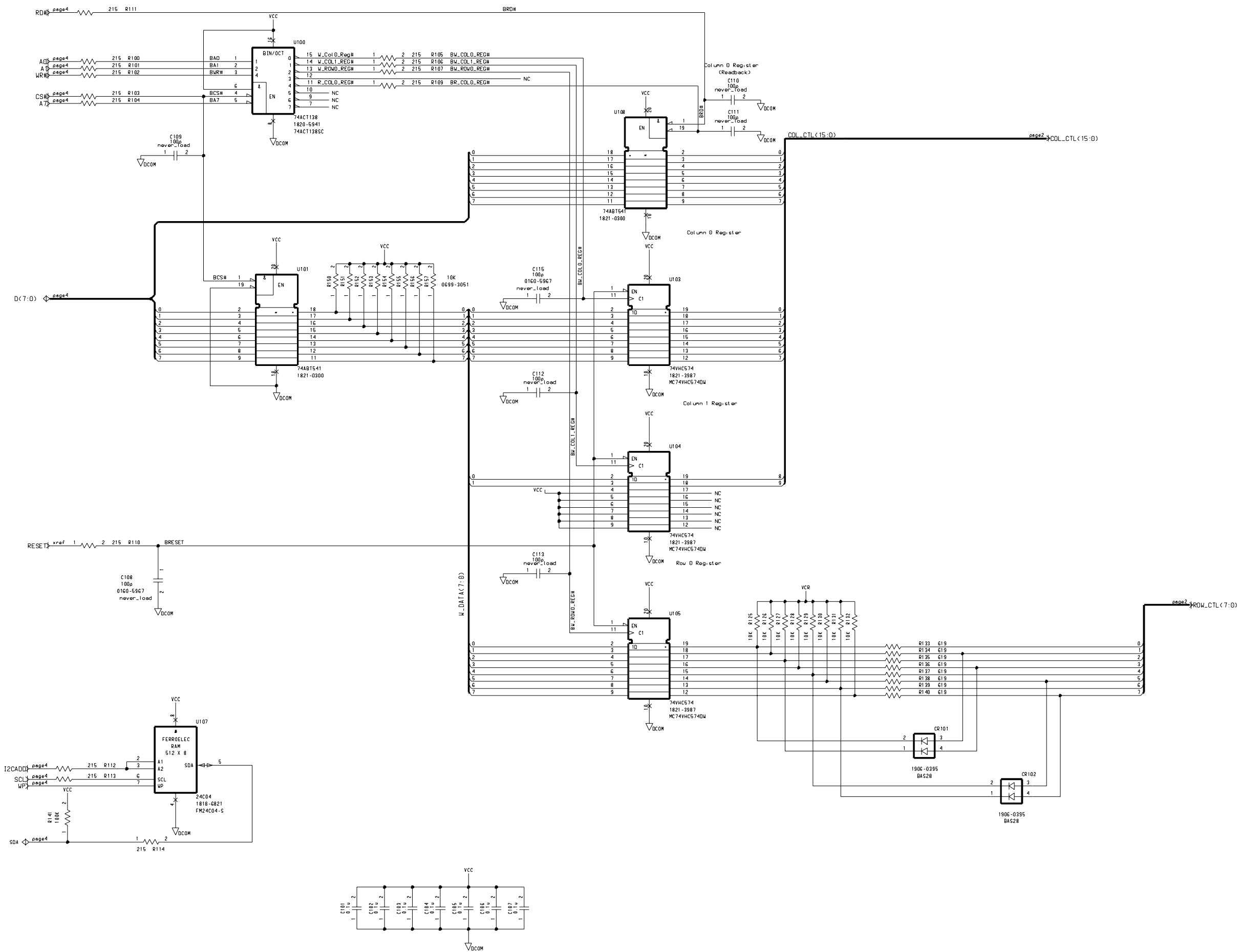
A13 is used as ZGND!
(Isolation between AB and System)

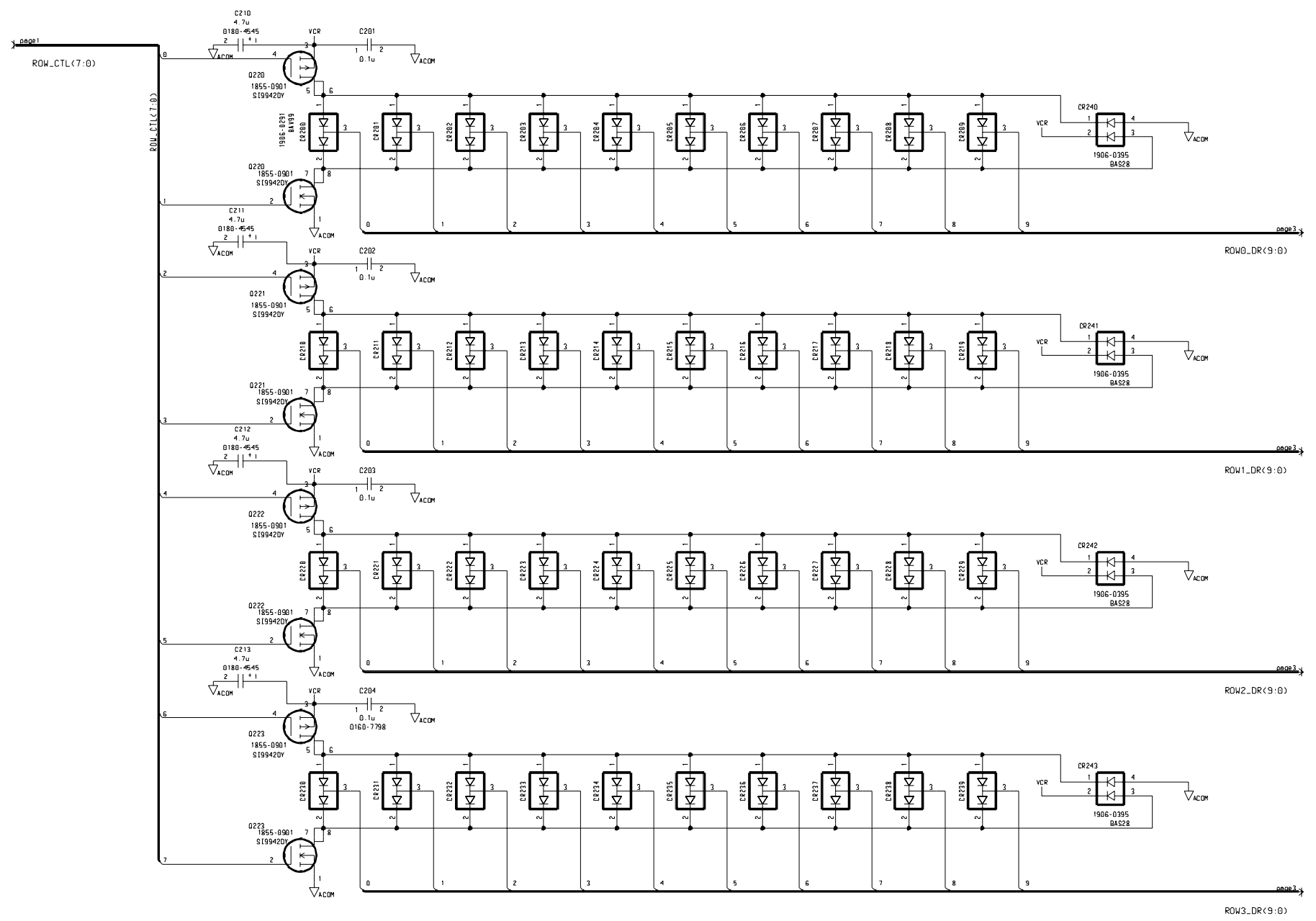
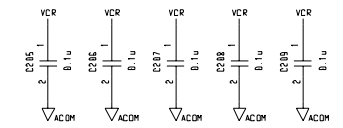
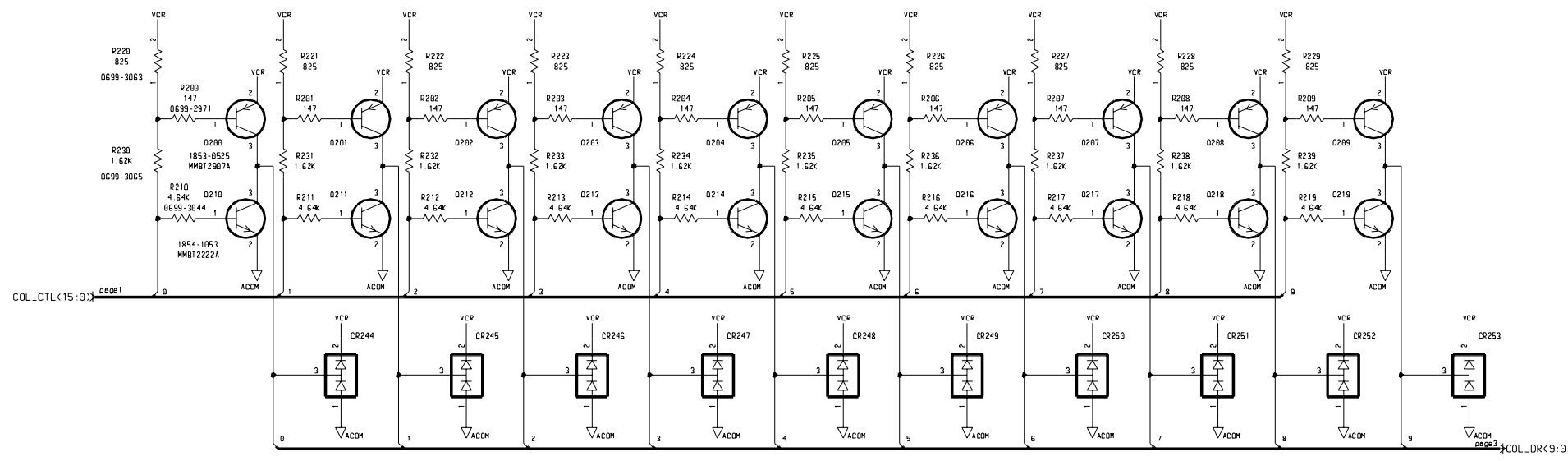
(Isolation between AB and System)

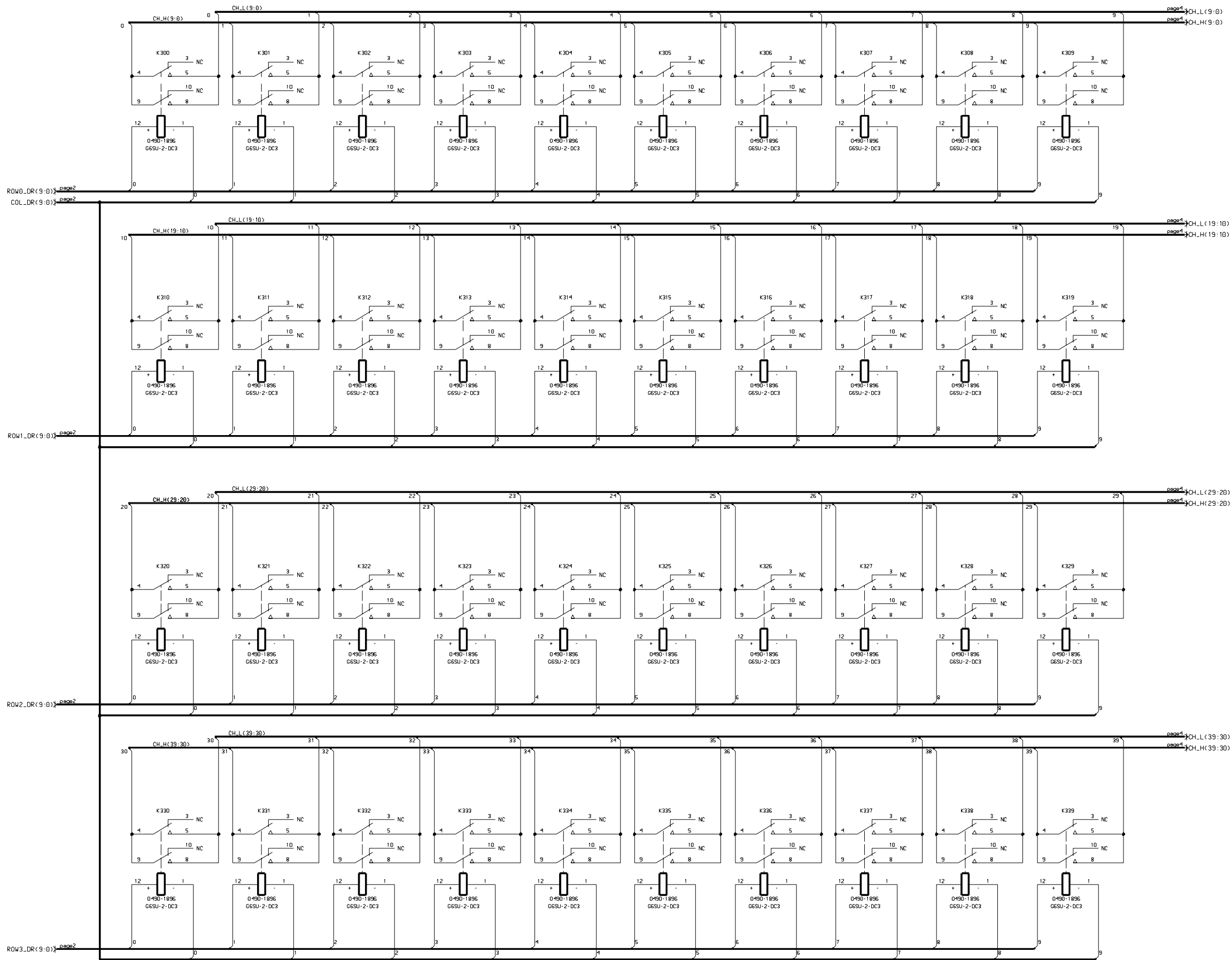
(Isolation between AB and System)



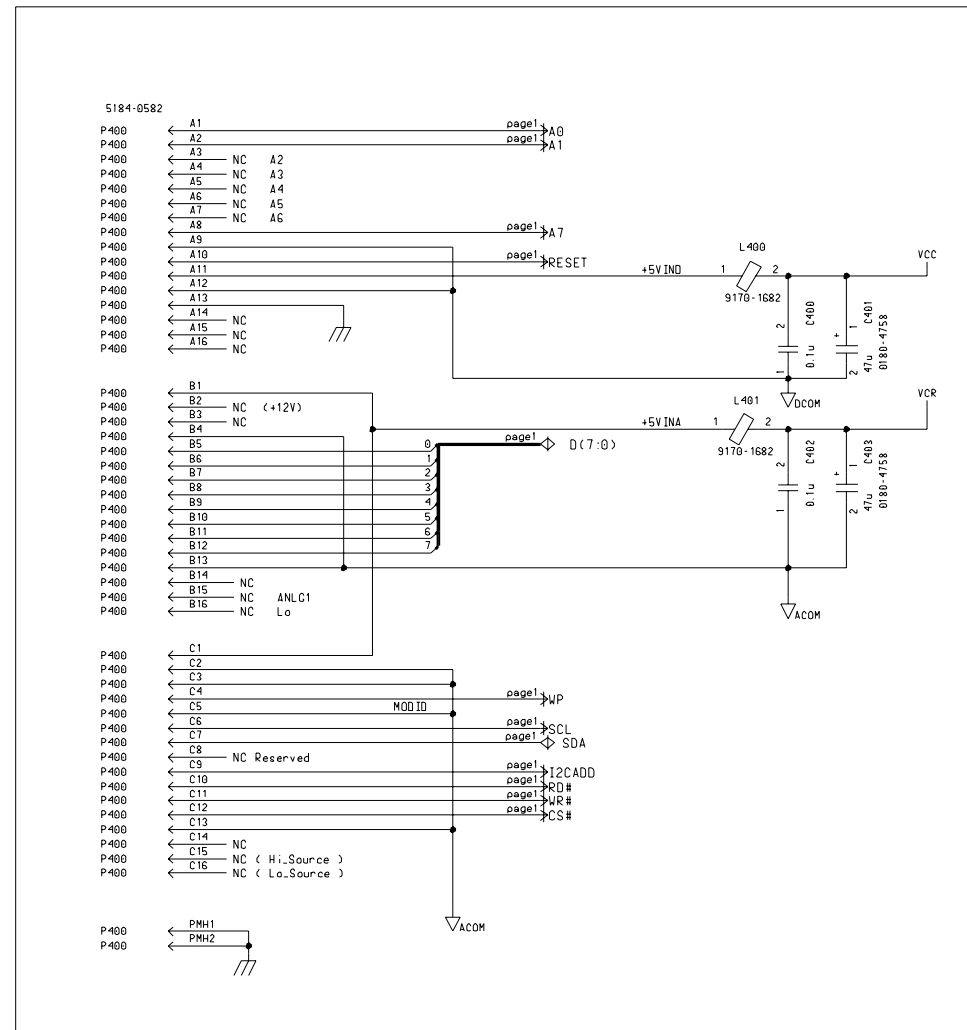




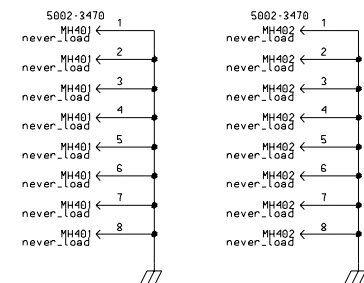




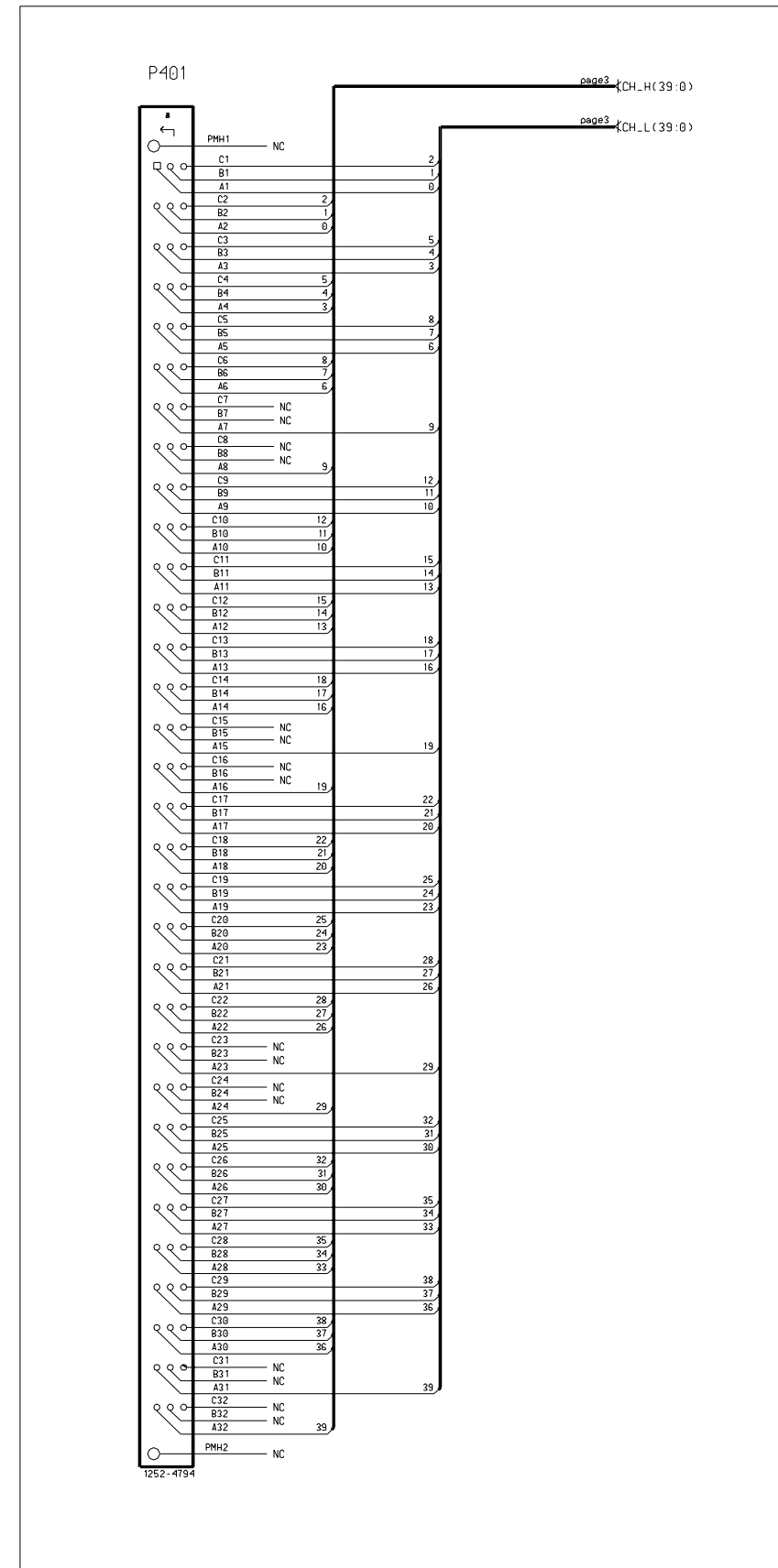
Backplane Connector

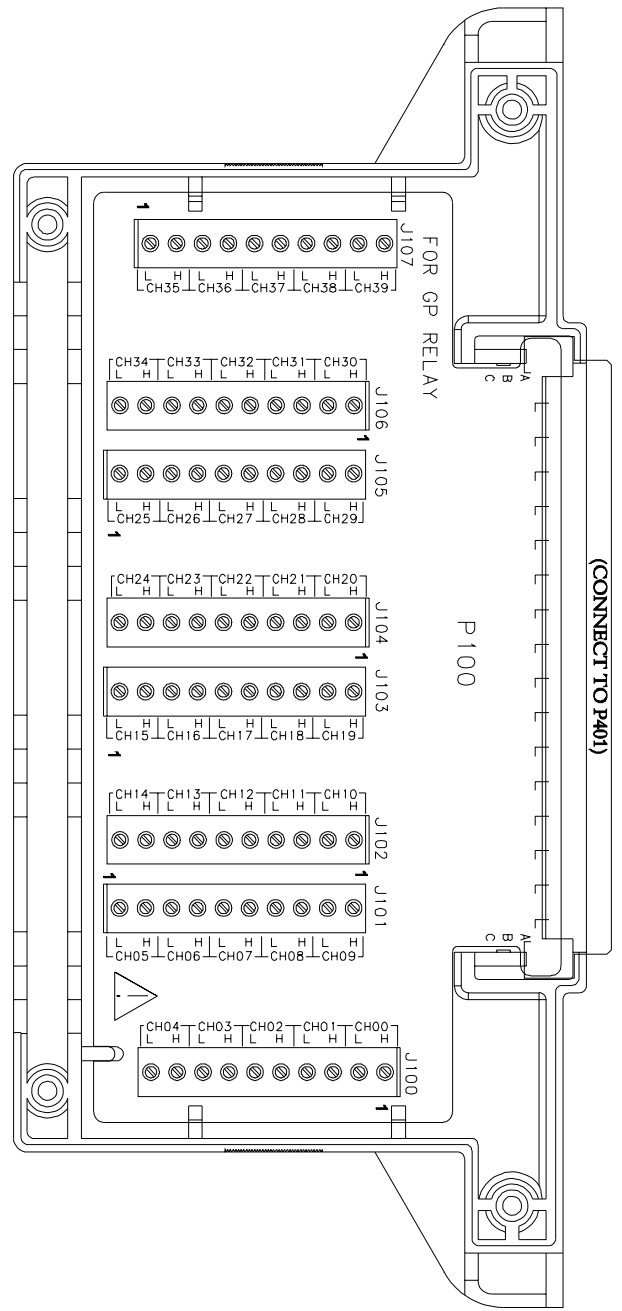
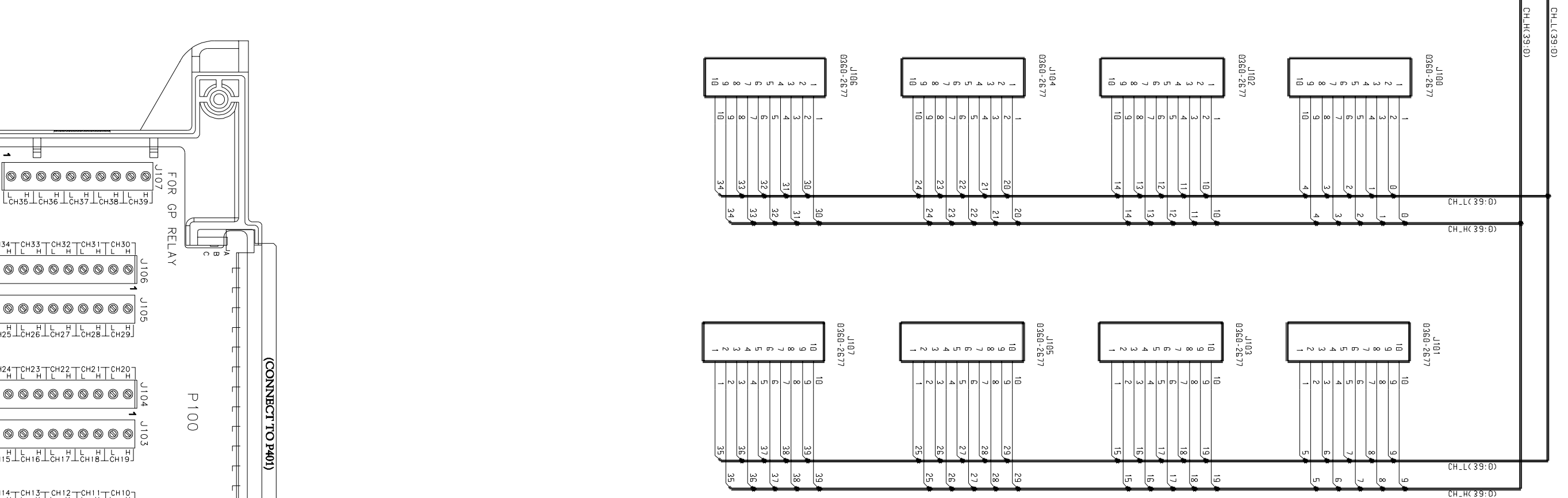
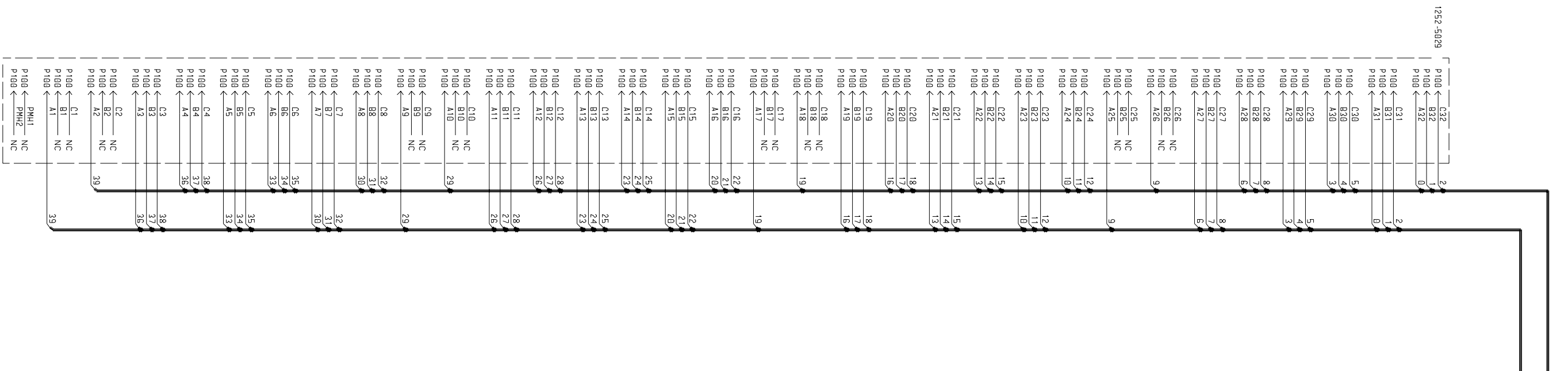


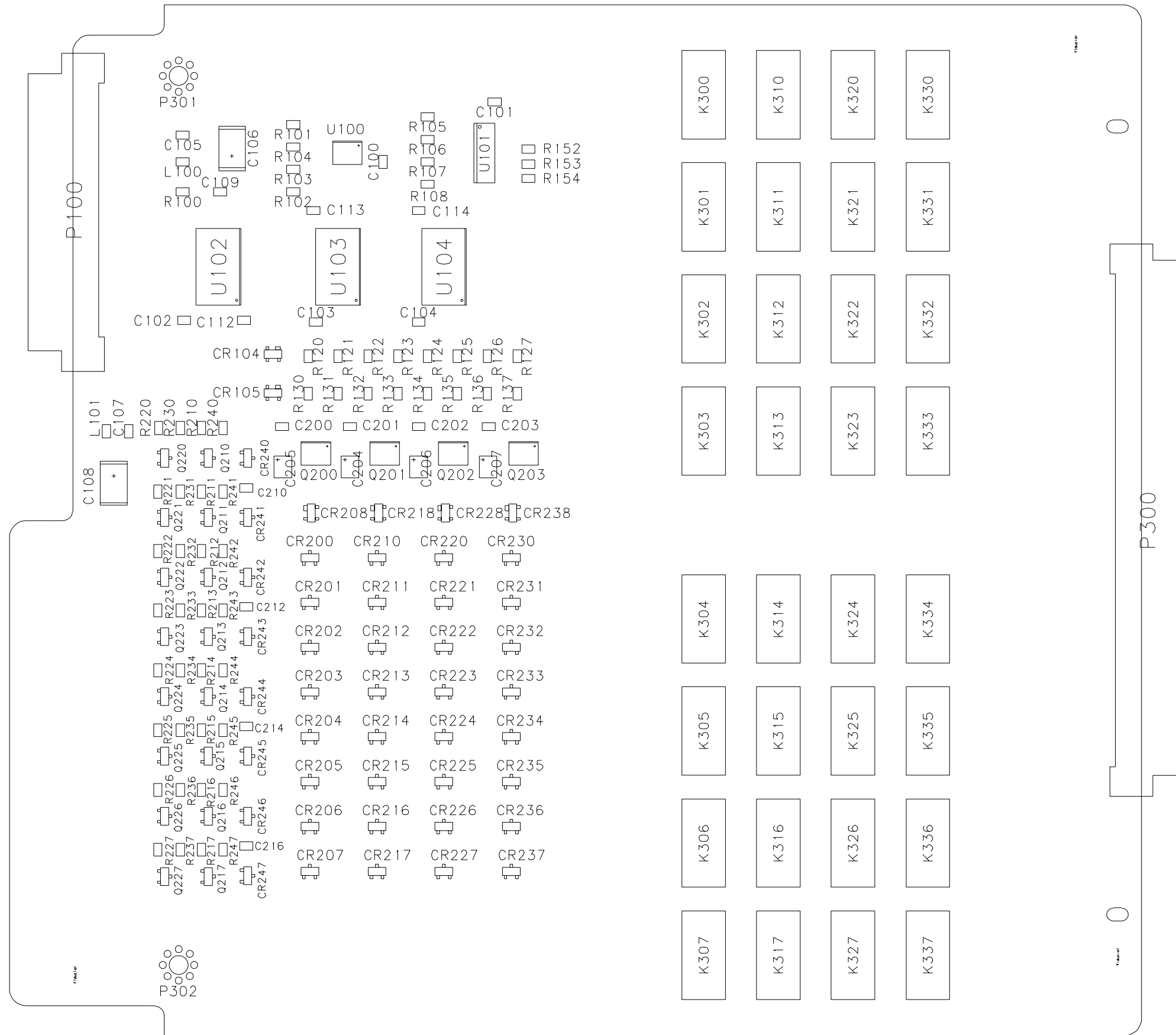
Two Mounting Holes

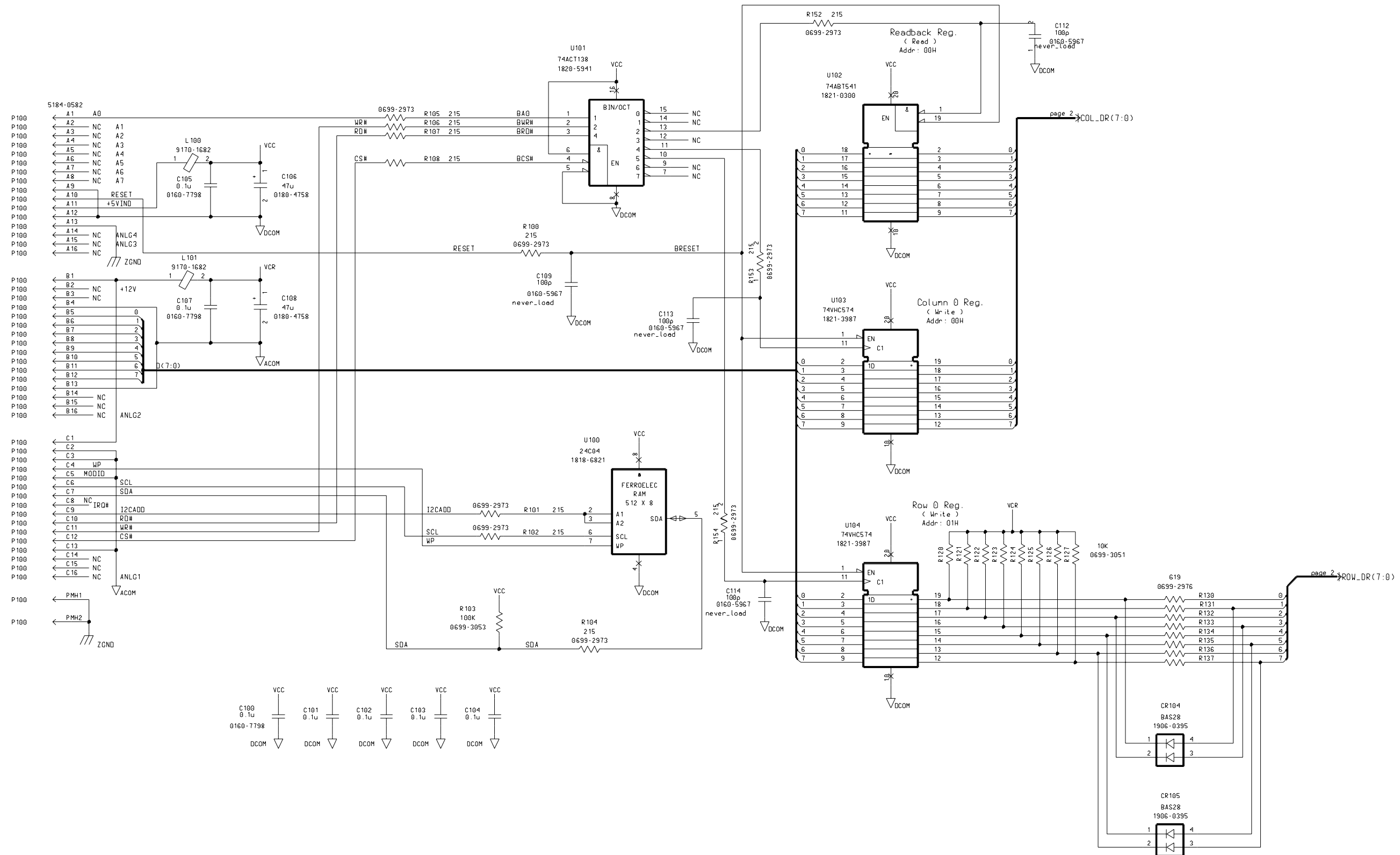


Front Connector

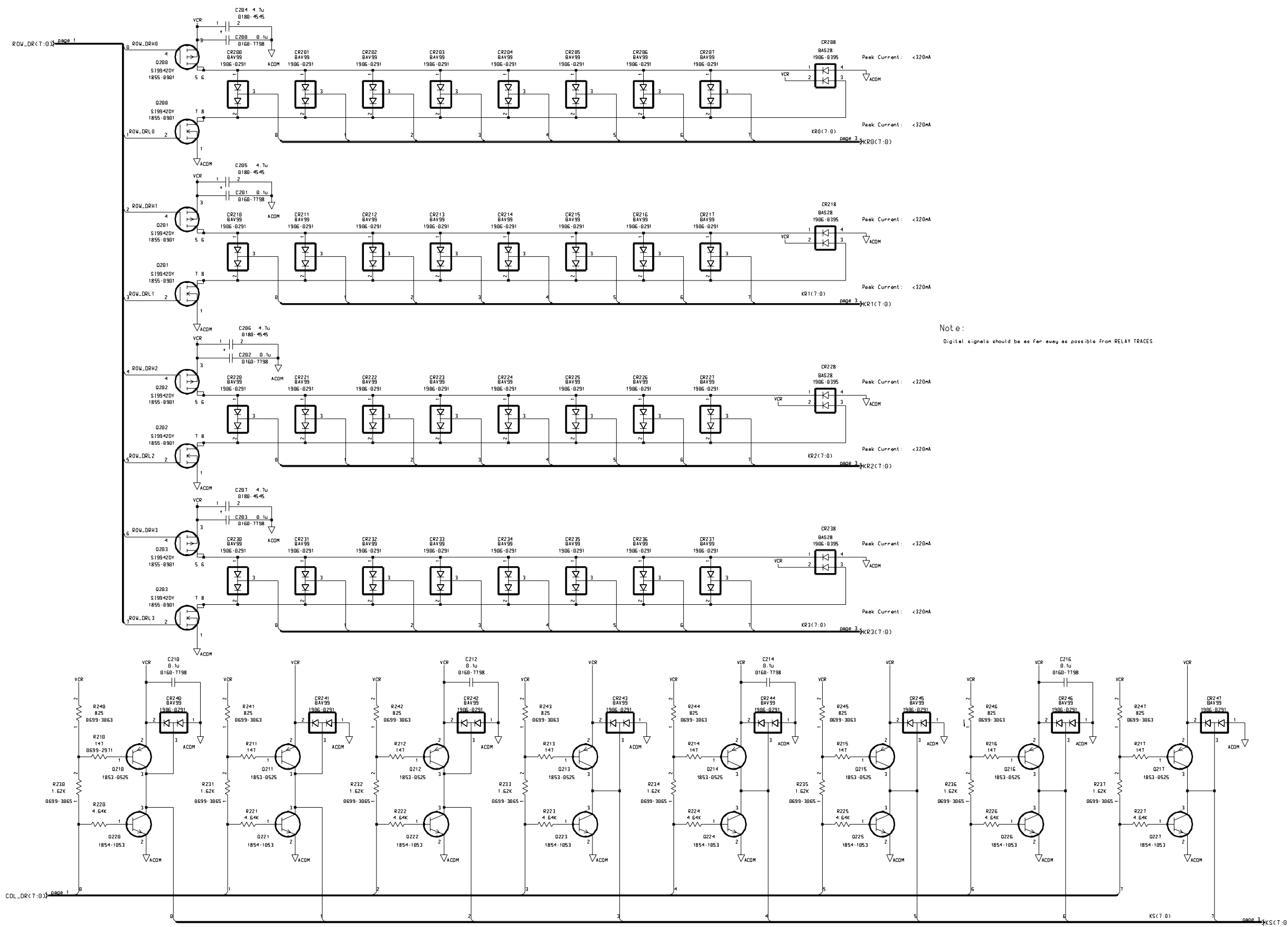




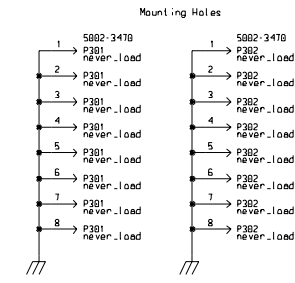
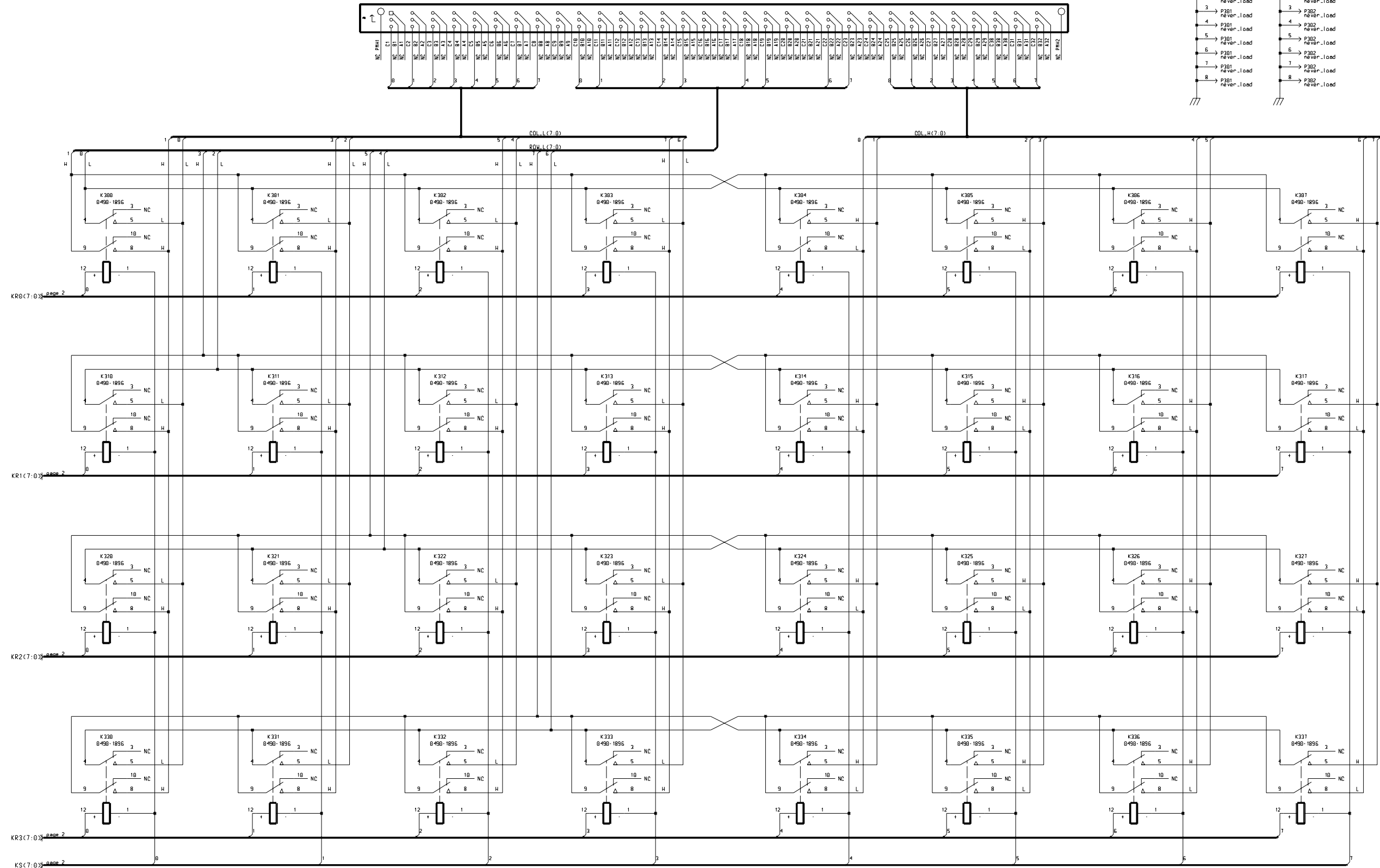




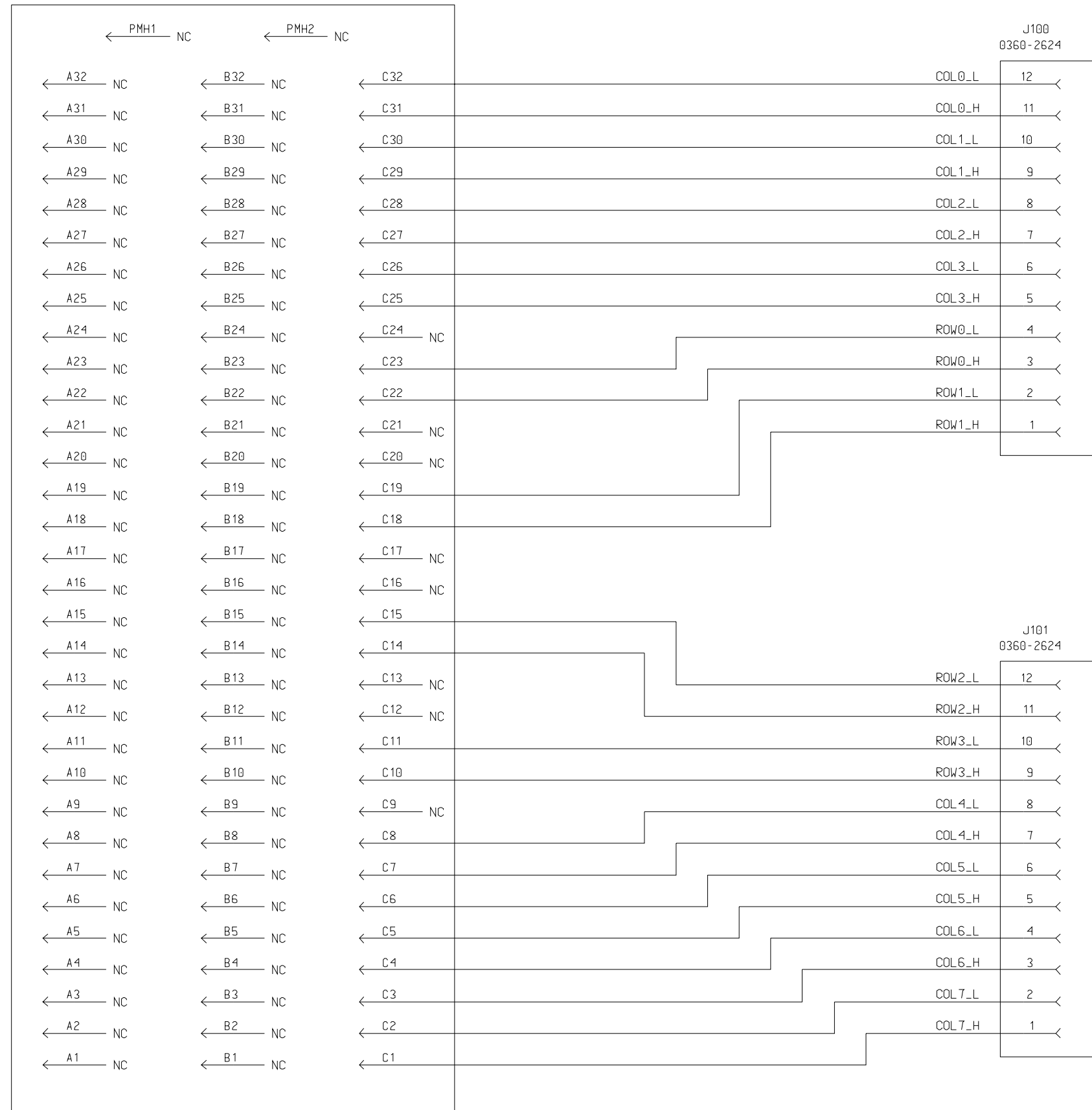
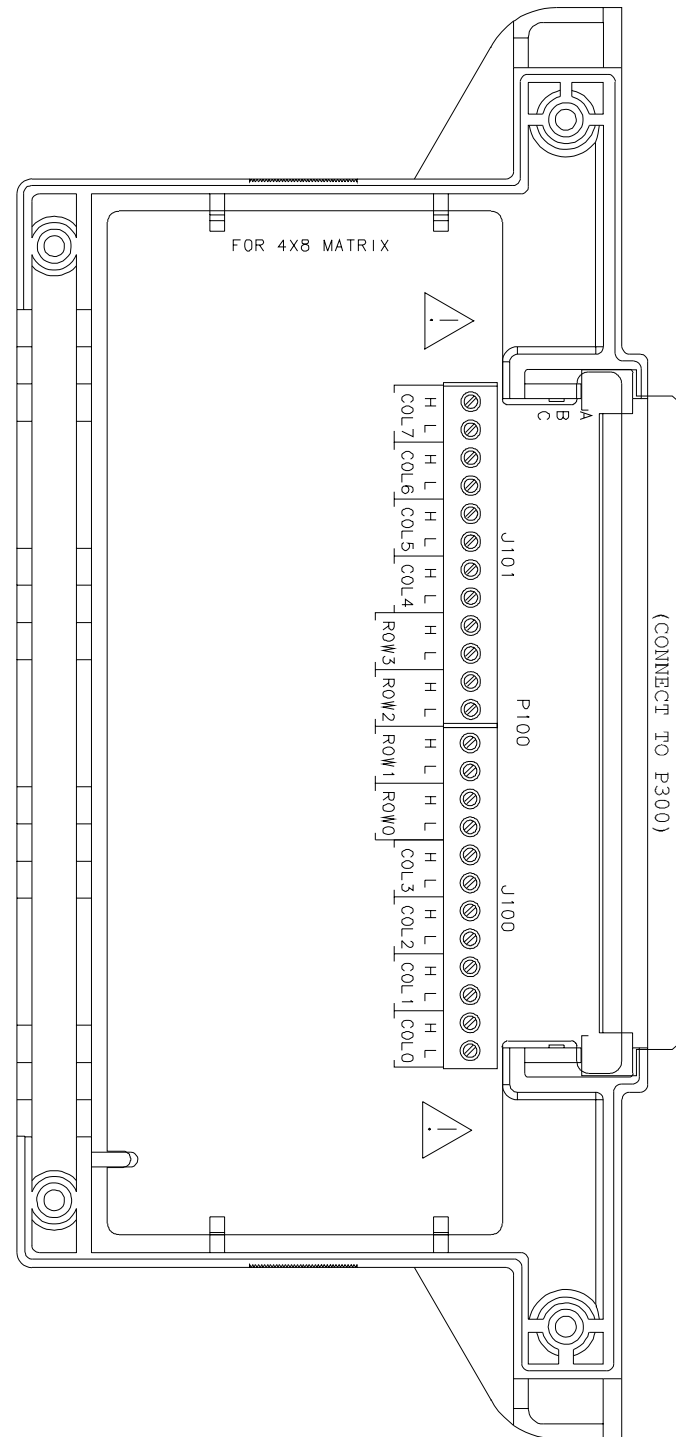
Agilent N2262A 4 x 8 Matrix Module
Schematic (Sheet 1 of 3)
Page 162

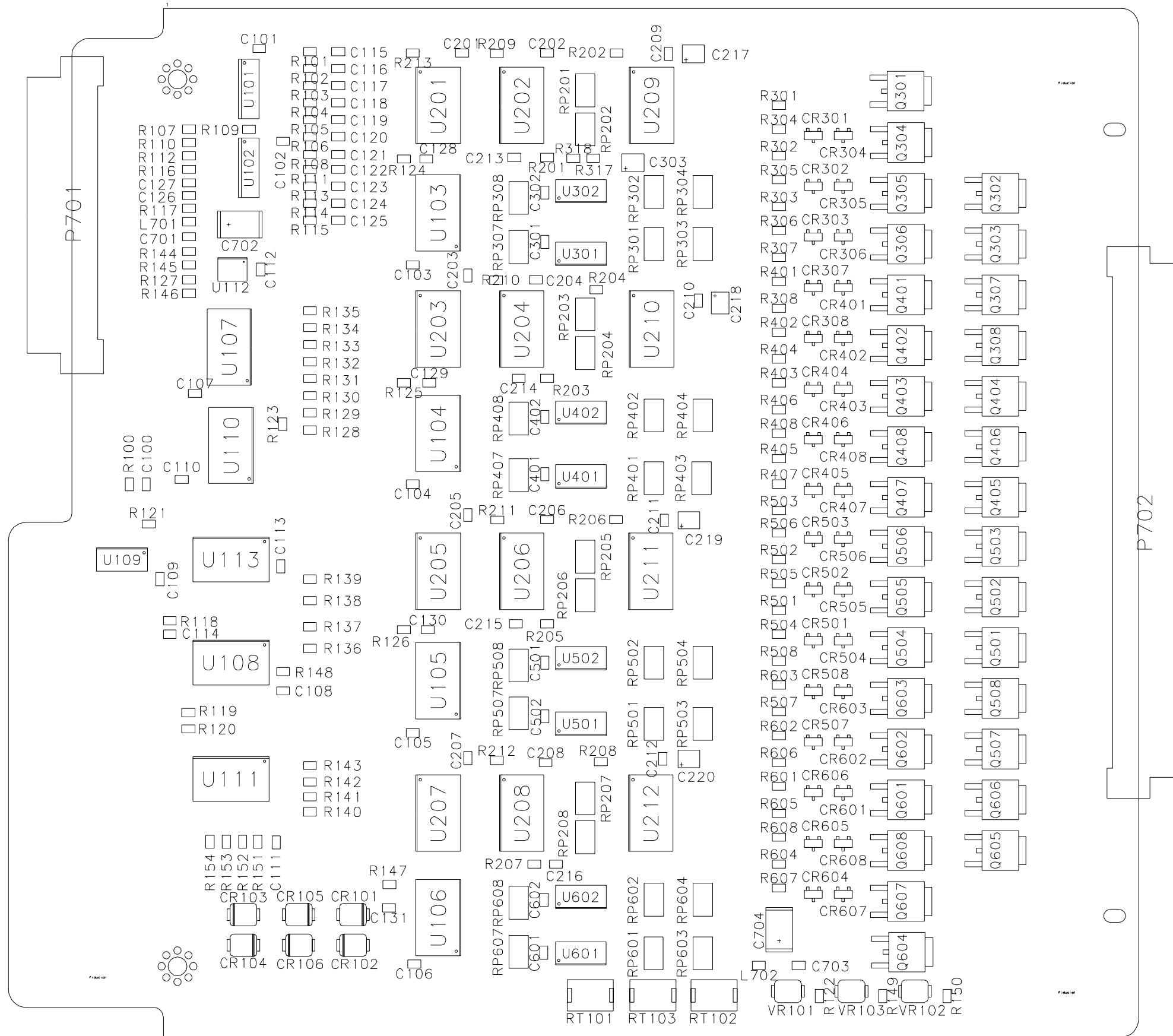


P300
1252-4794

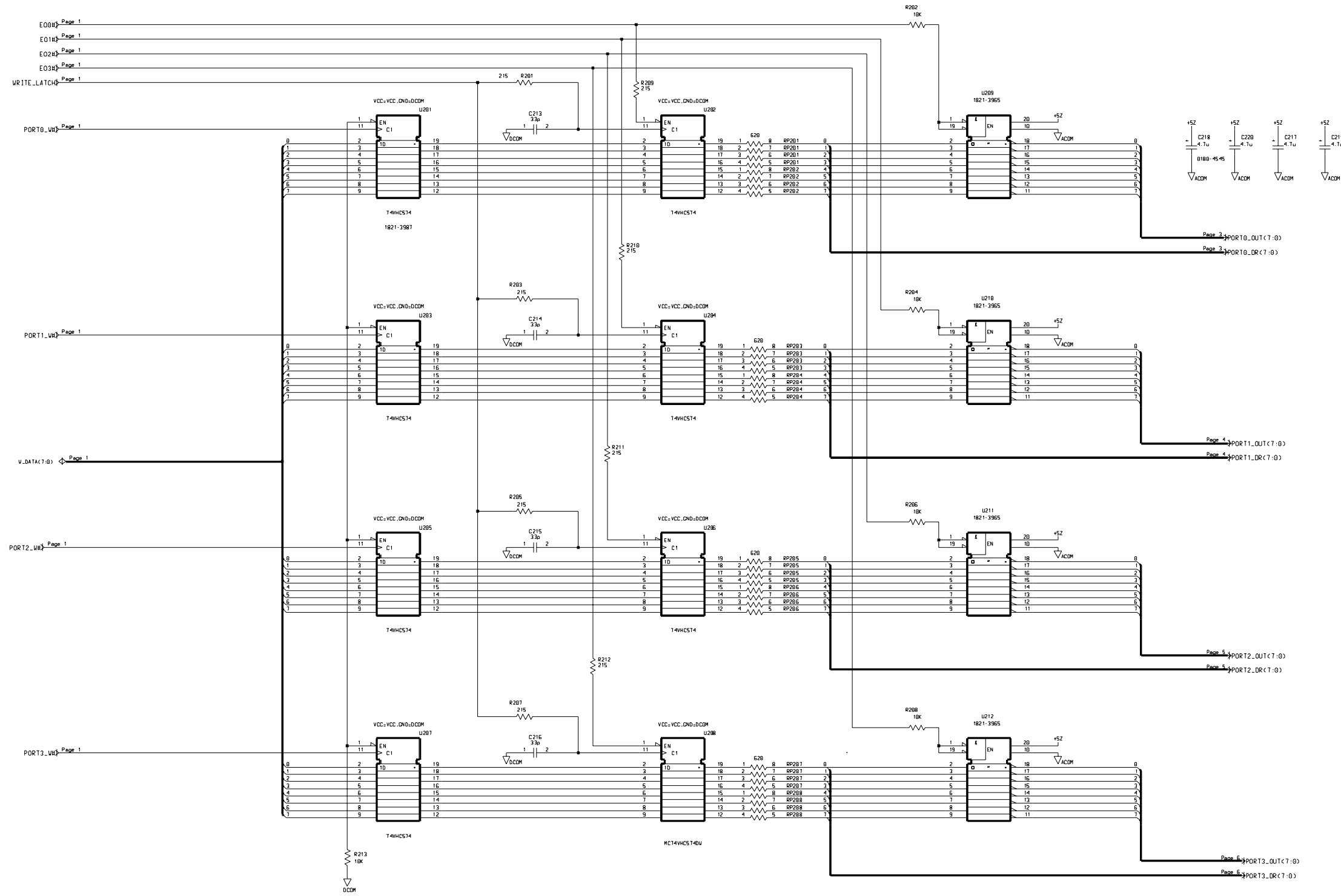


Relay Specification : 1A/200V

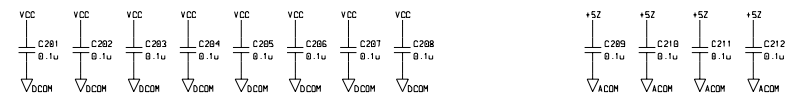


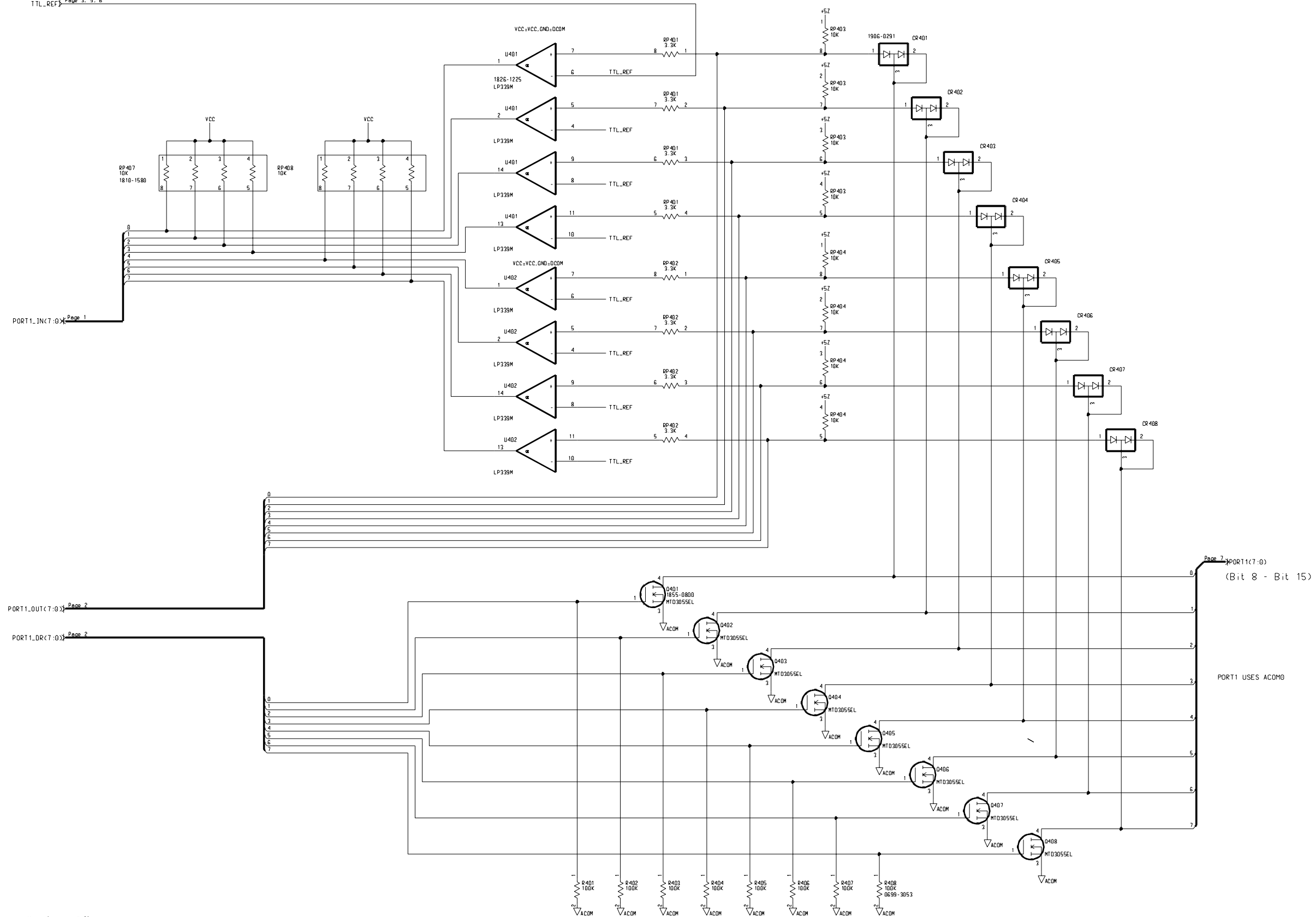


OUTPUT LATCHES & HIGH DRIVERS



Bypass capacitors





PORT1_IN(7:0) Page 1

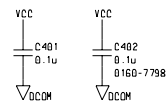
PORT1_OUT(7:0) Page 2

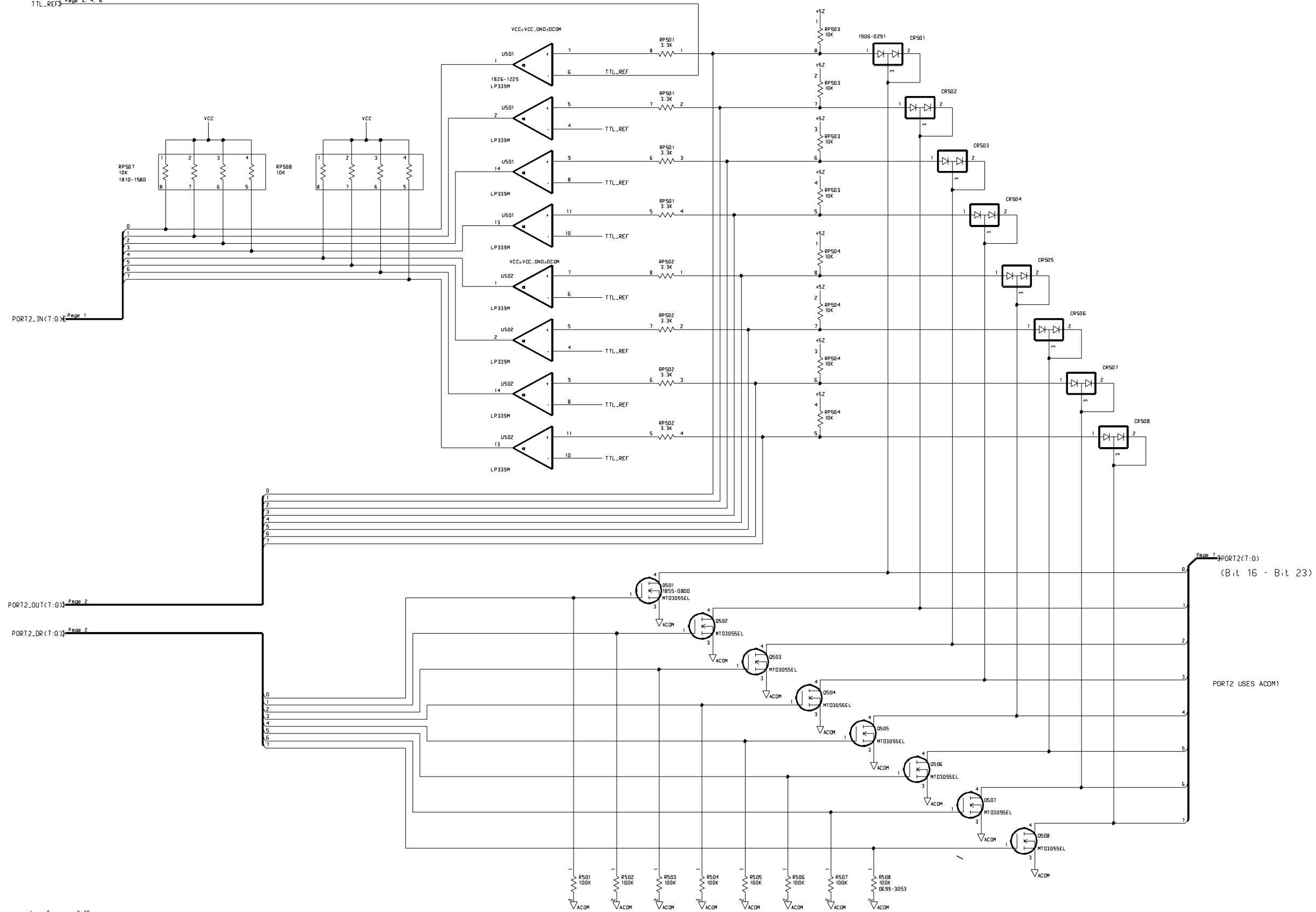
PORT1_DR(7:0) Page 2

Page 7 PORT1(7:0)
(Bit 8 - Bit 15)

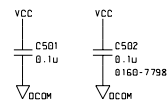
PORT1 USES AC0M0

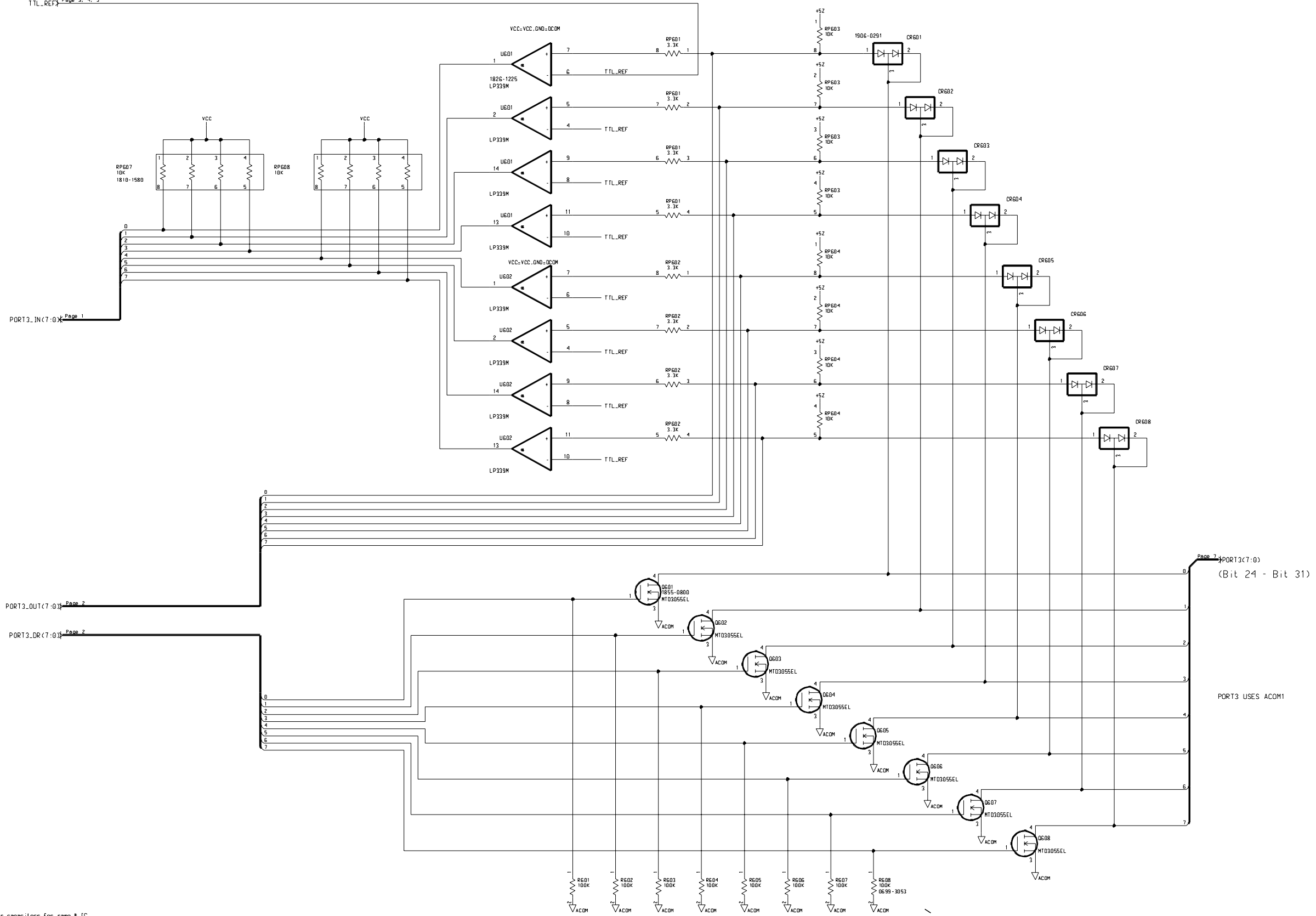
Bypass capacitors for same IC



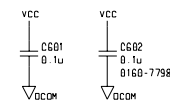


Bypass capacitors for same # IC

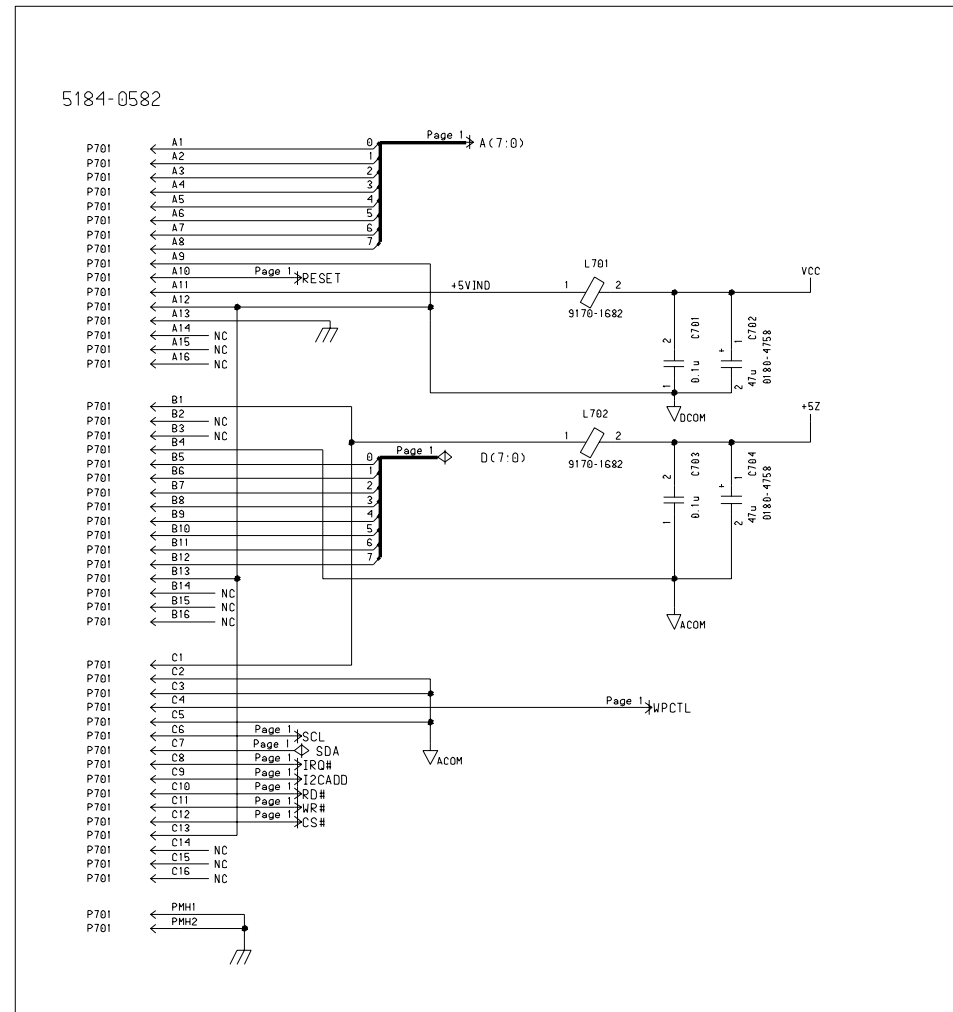




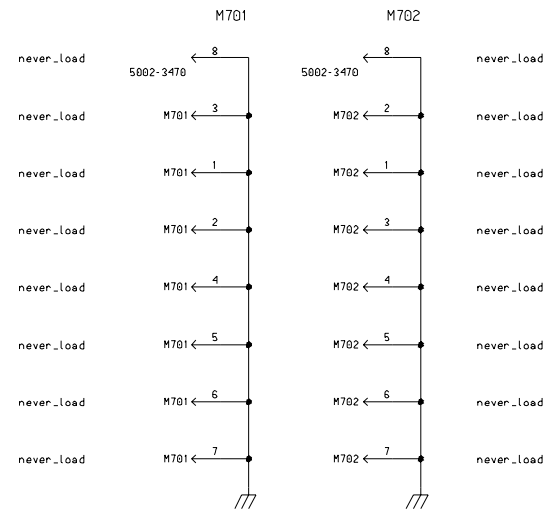
Bypass capacitors for same # IC



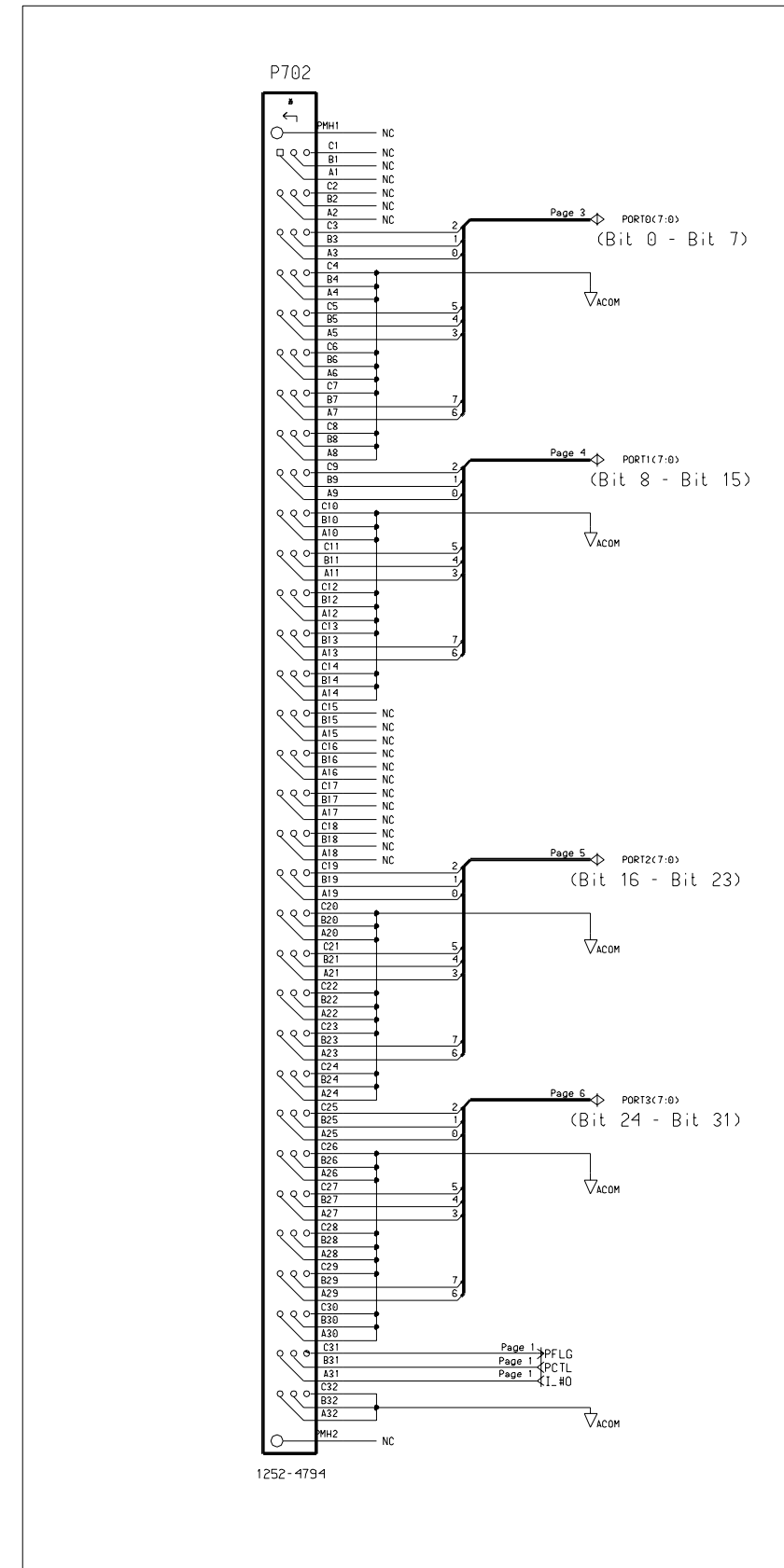
Backplane Connector

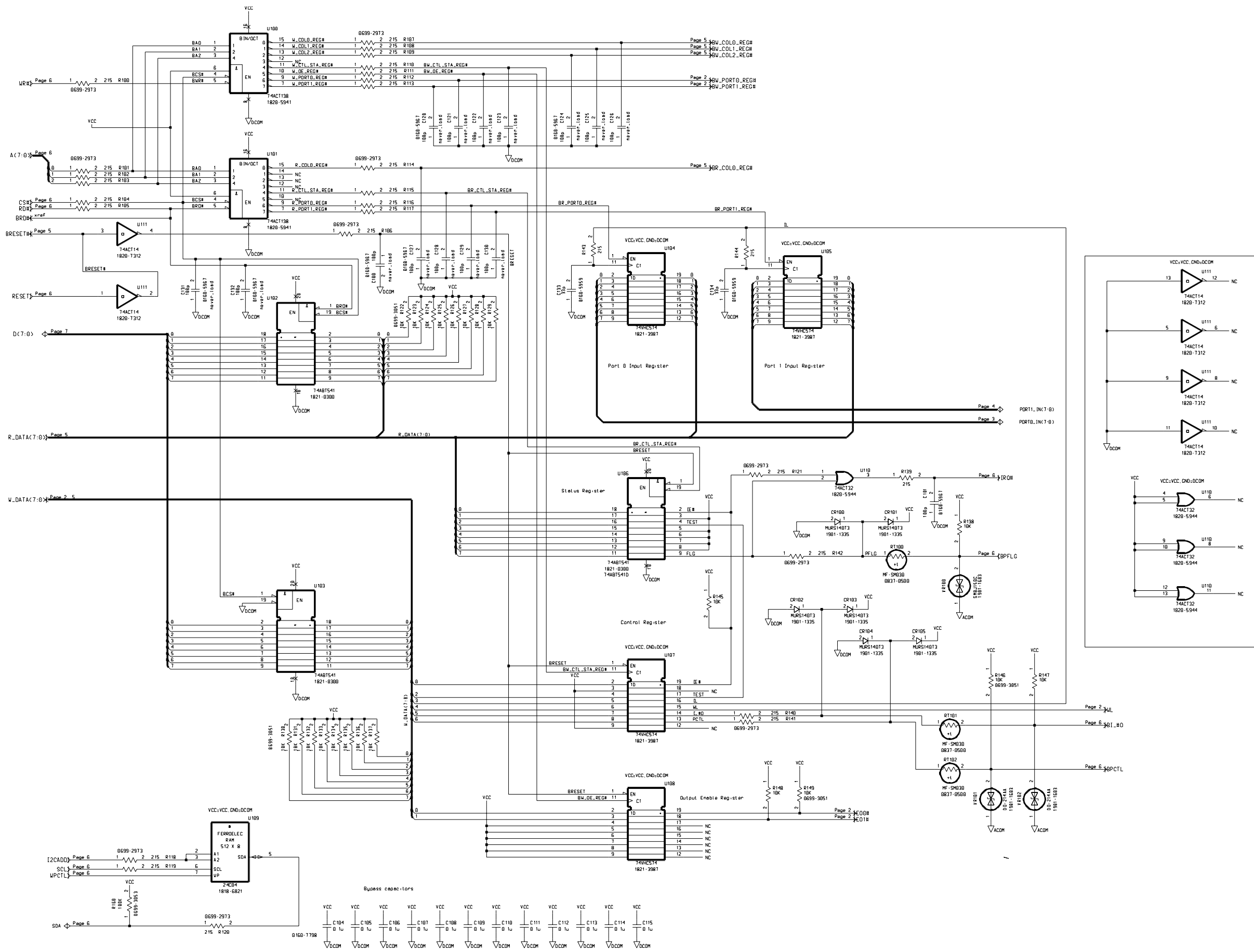


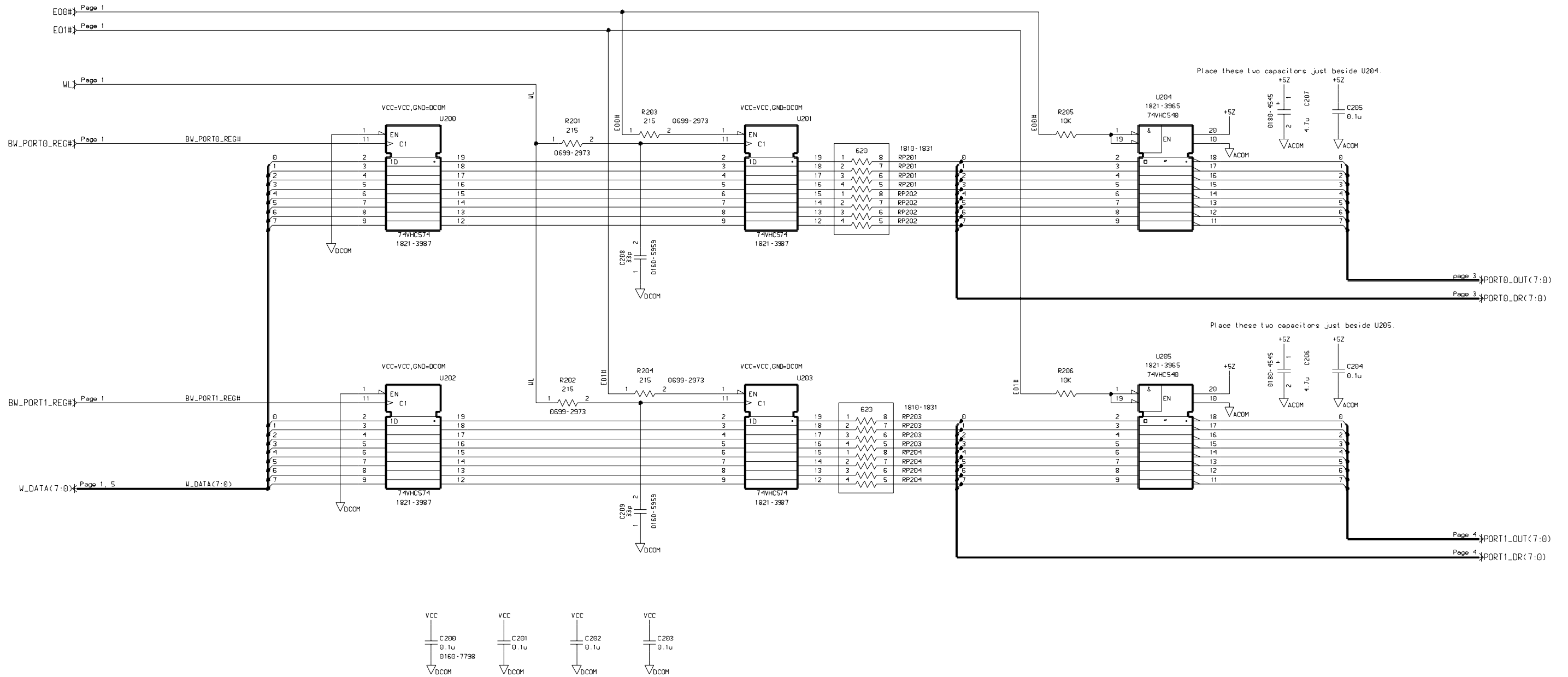
Two Mounting Holes with Soldermask

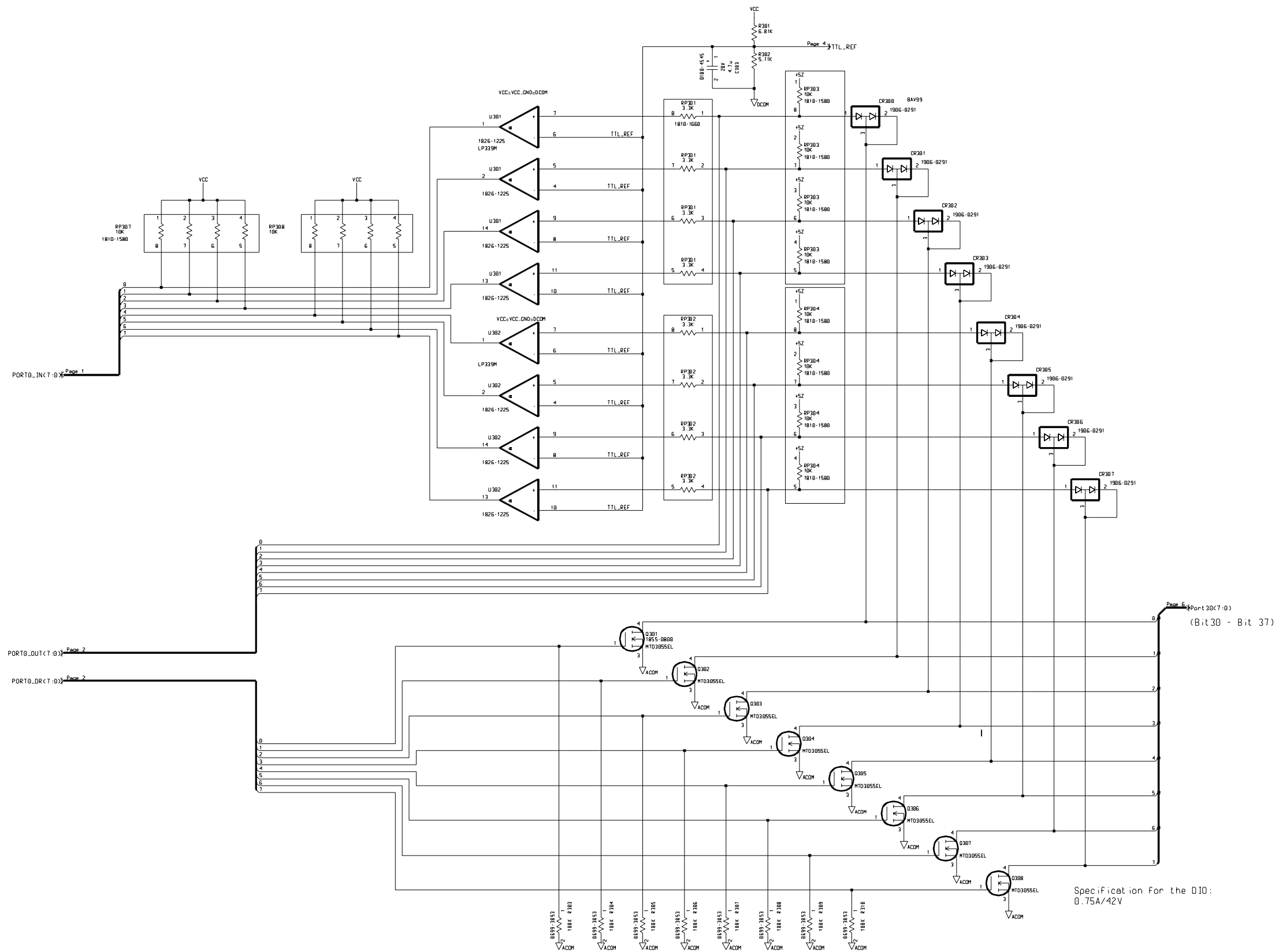


Front Connector

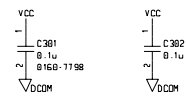


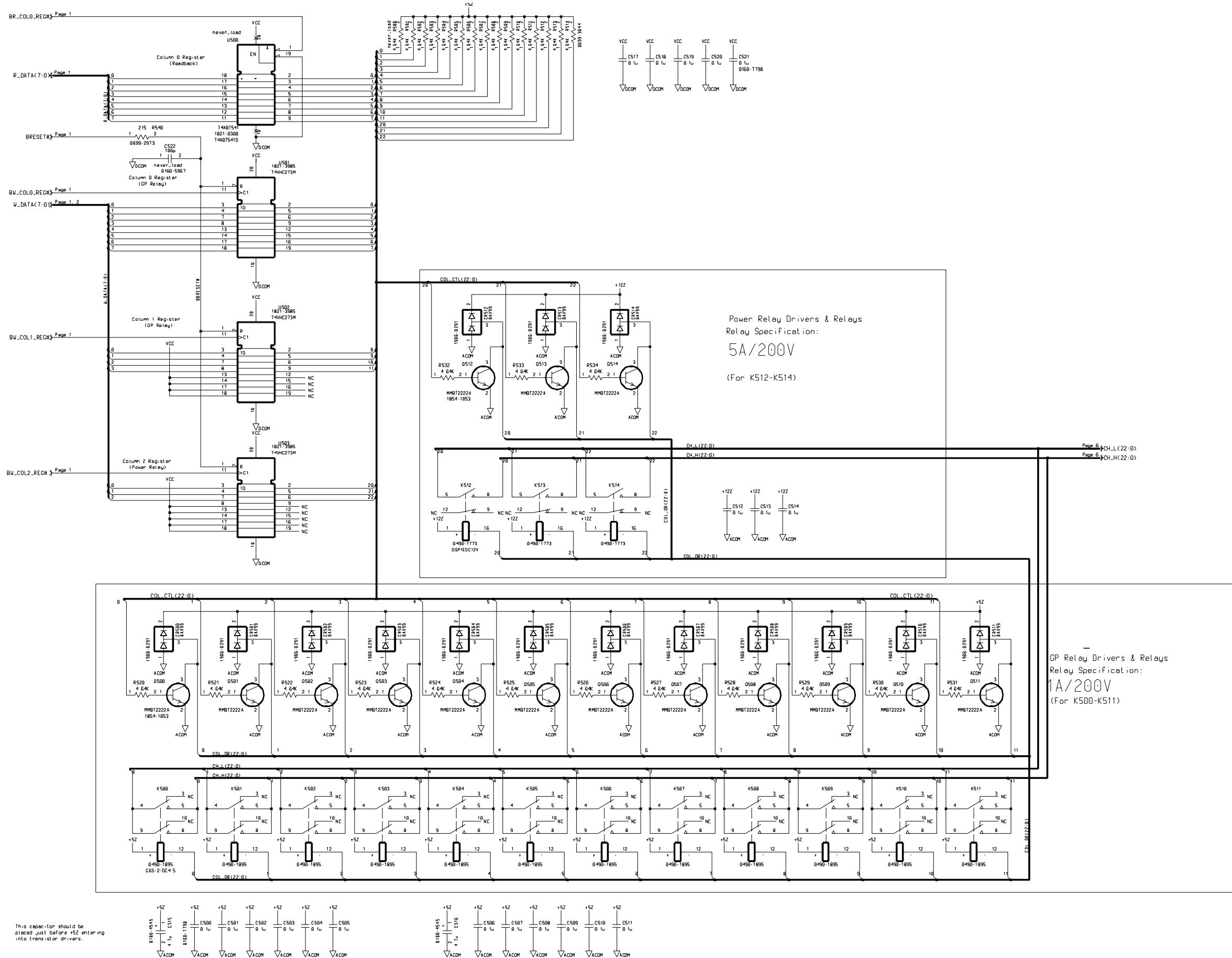




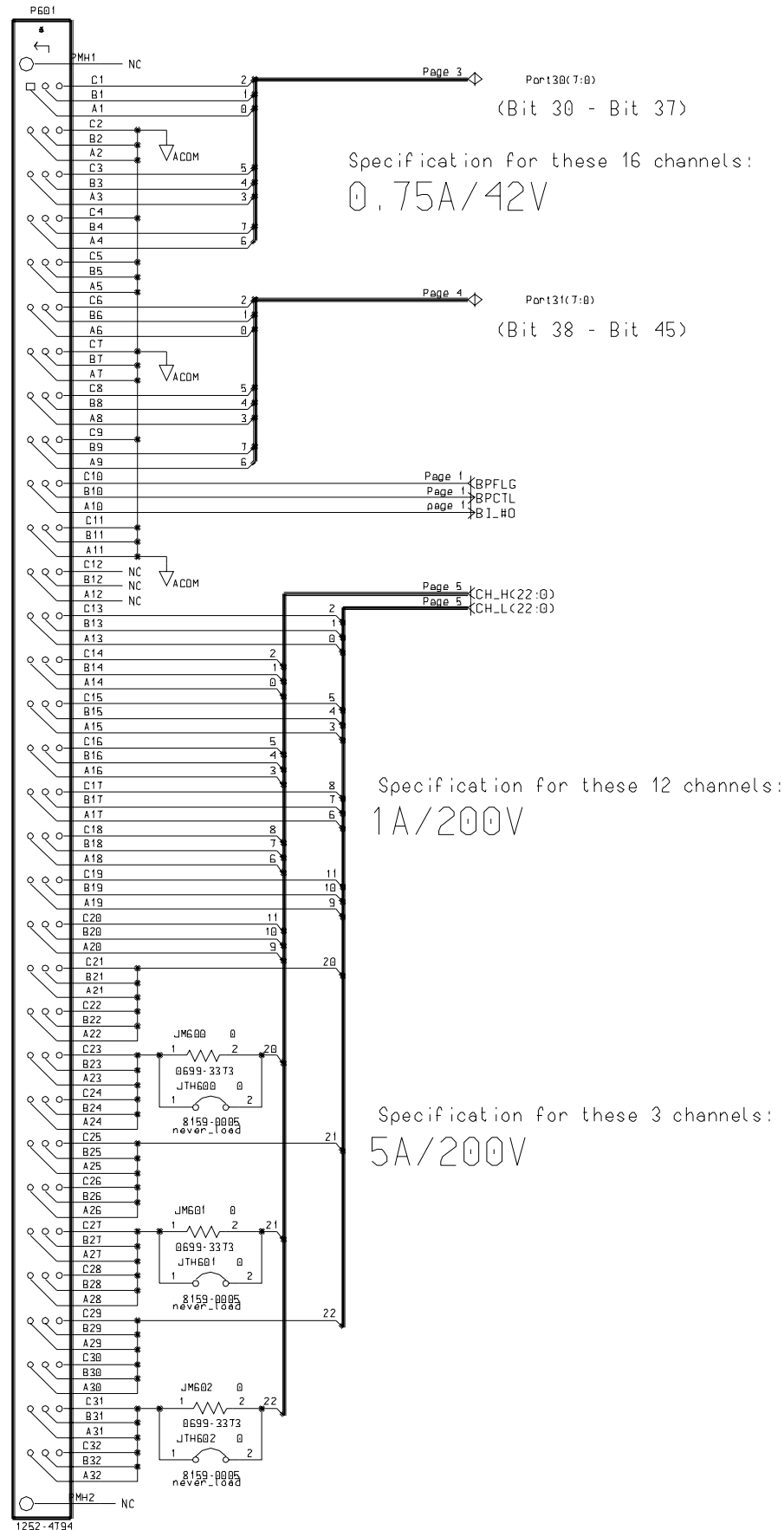


Bypass capacitors for same IC



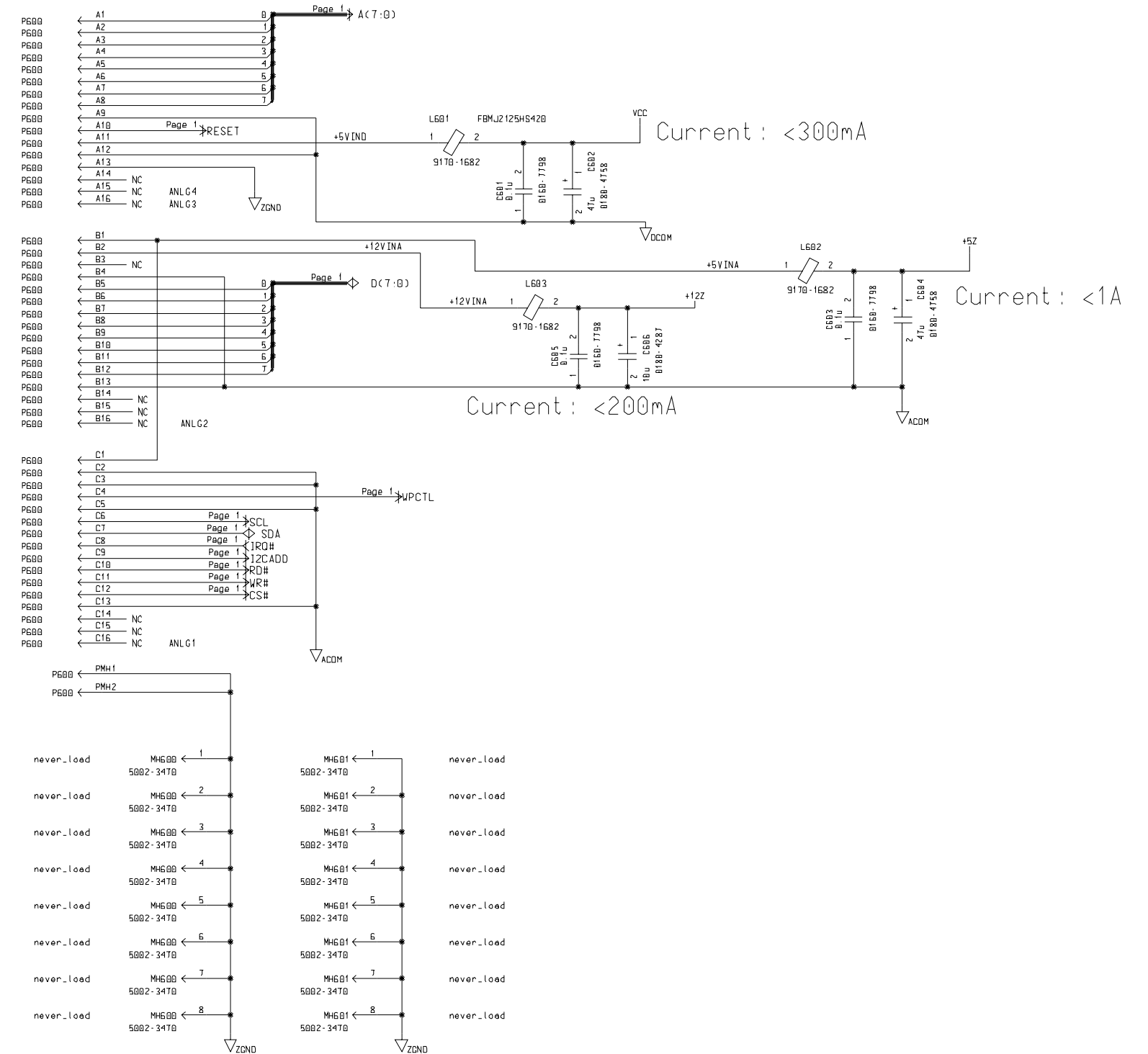


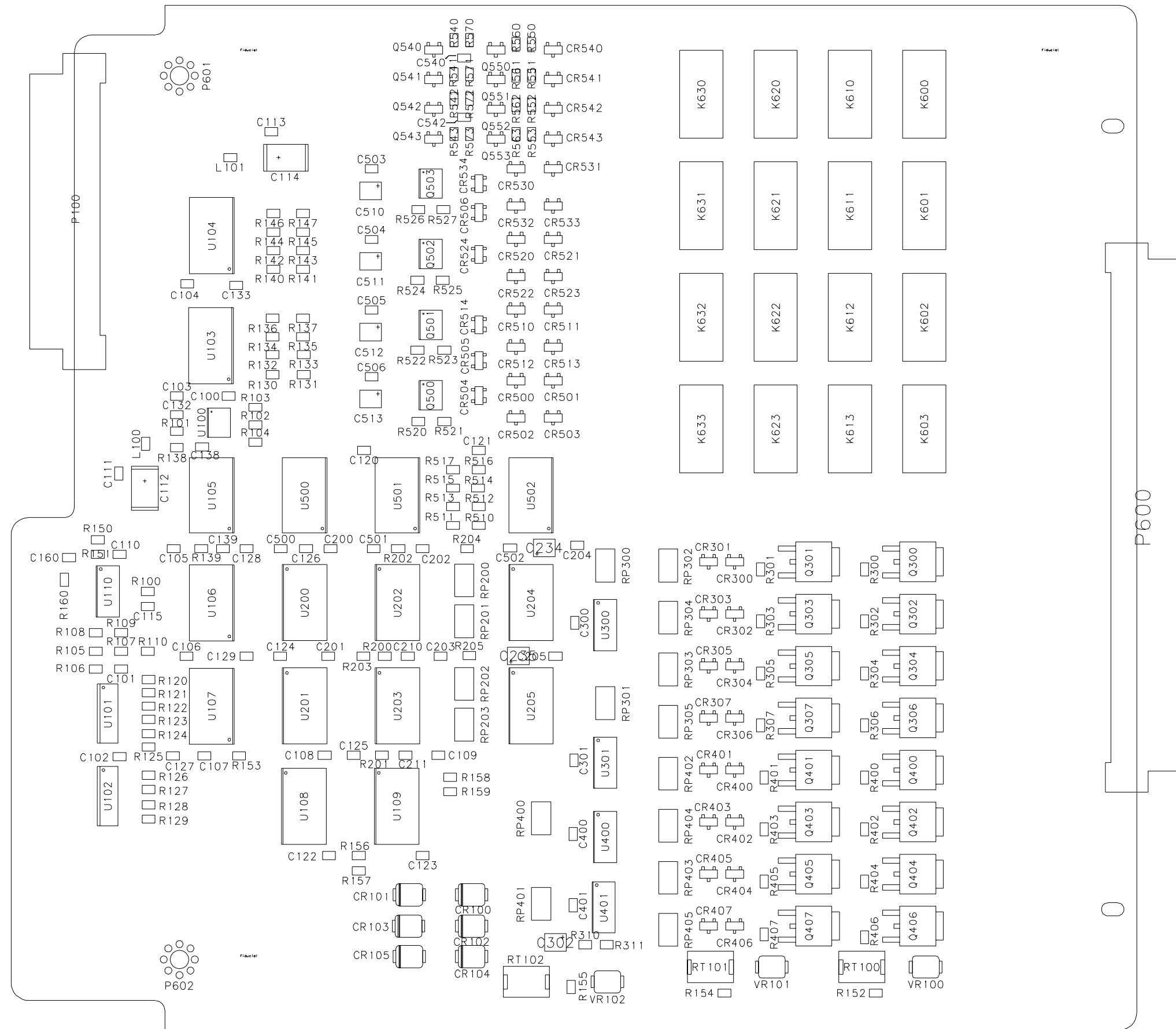
Customer Connector

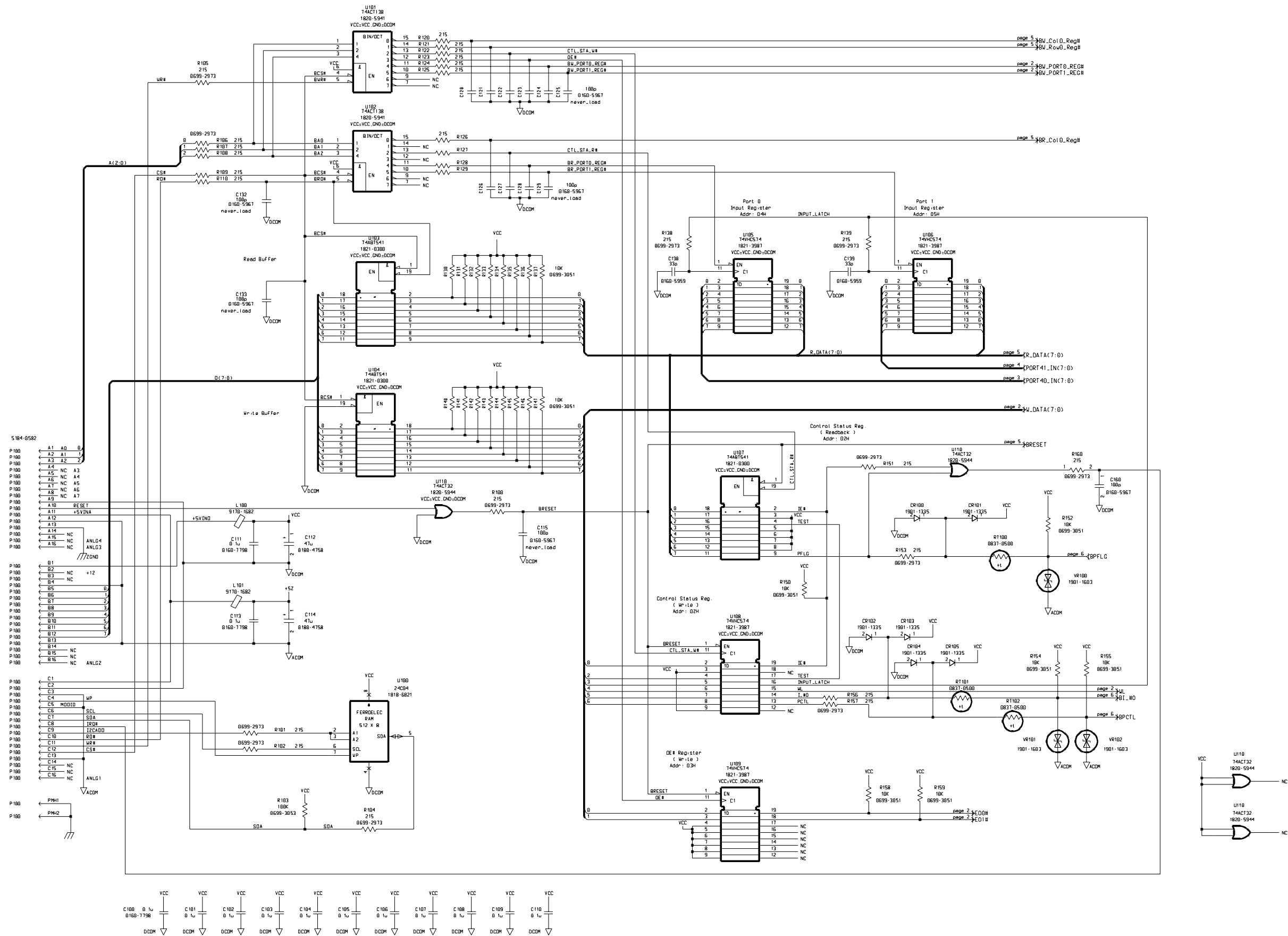


Backplane Connector

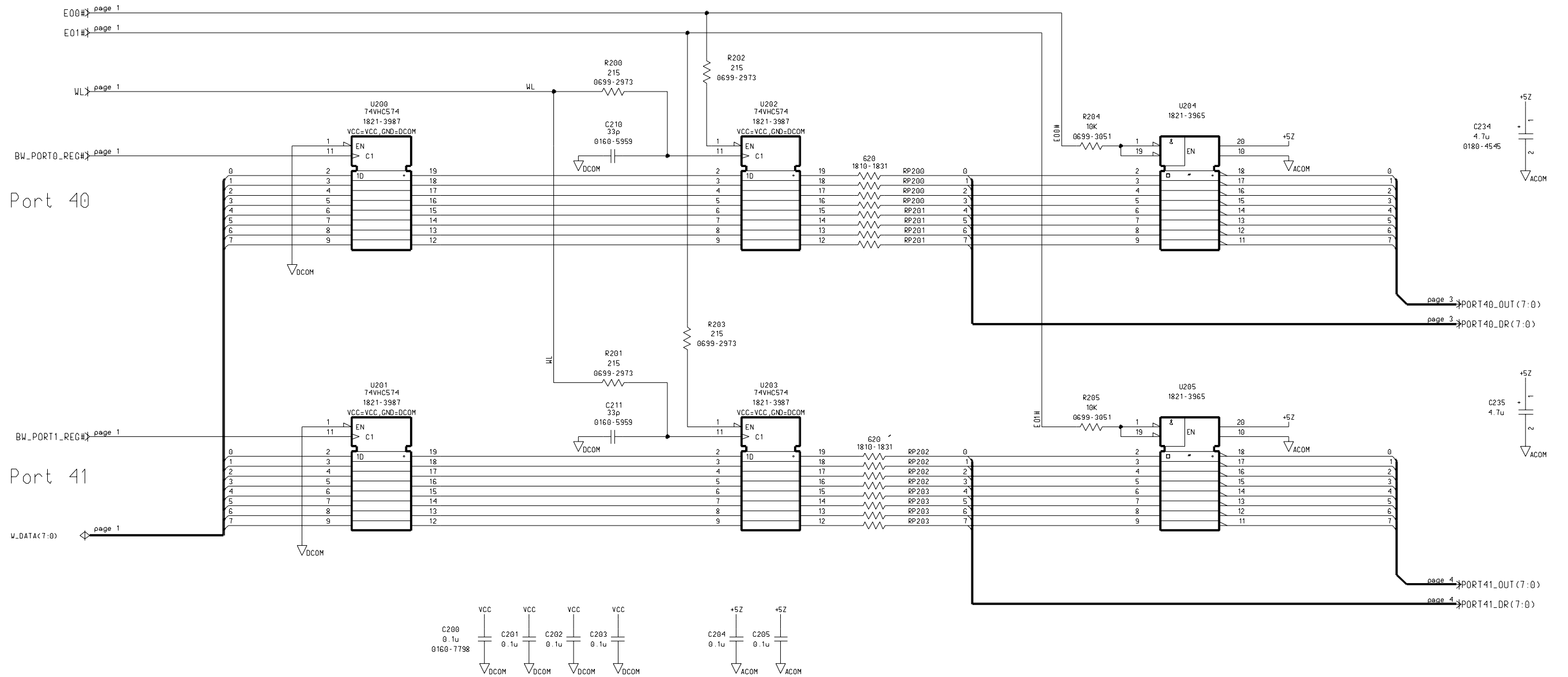
5184-0582

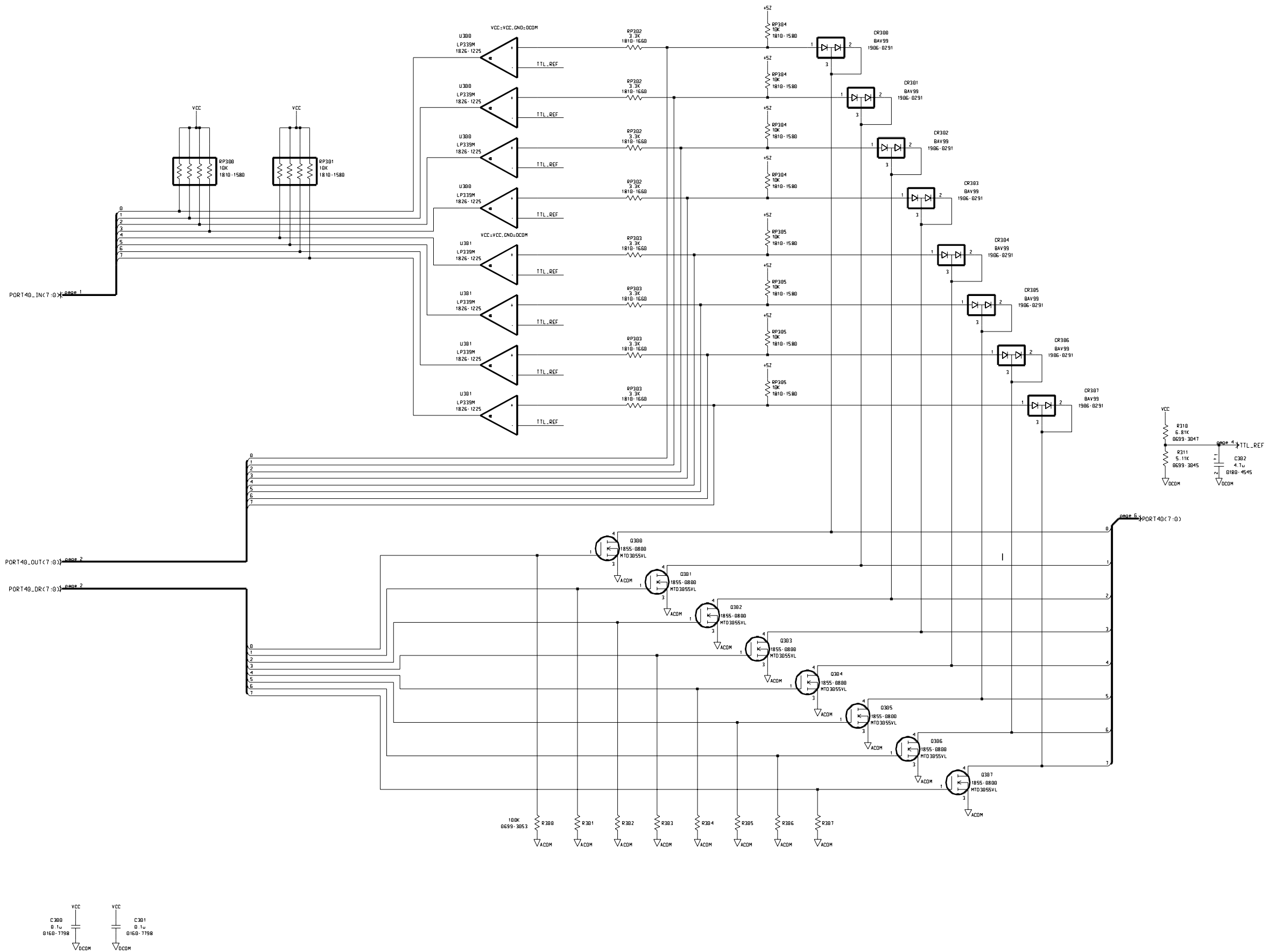


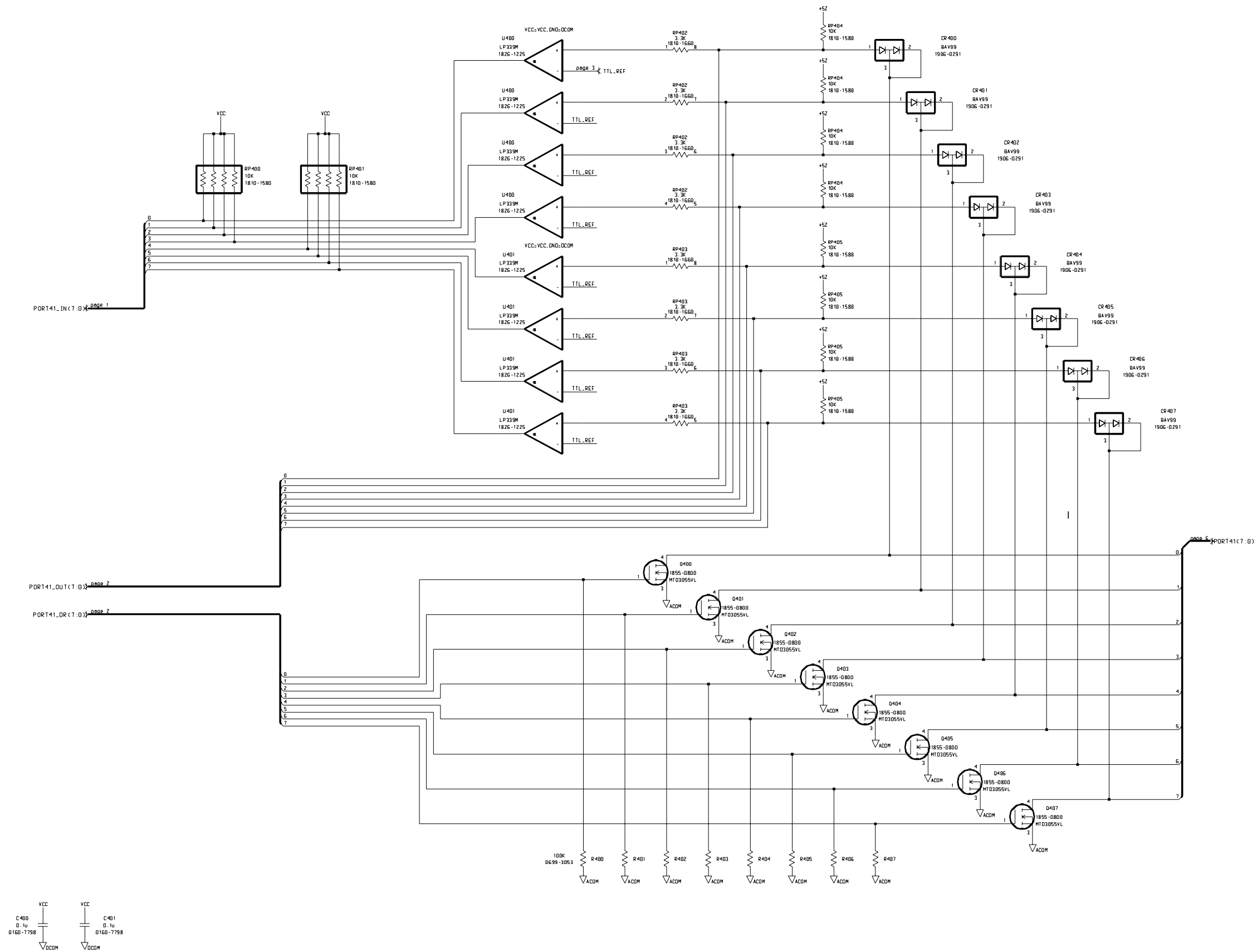


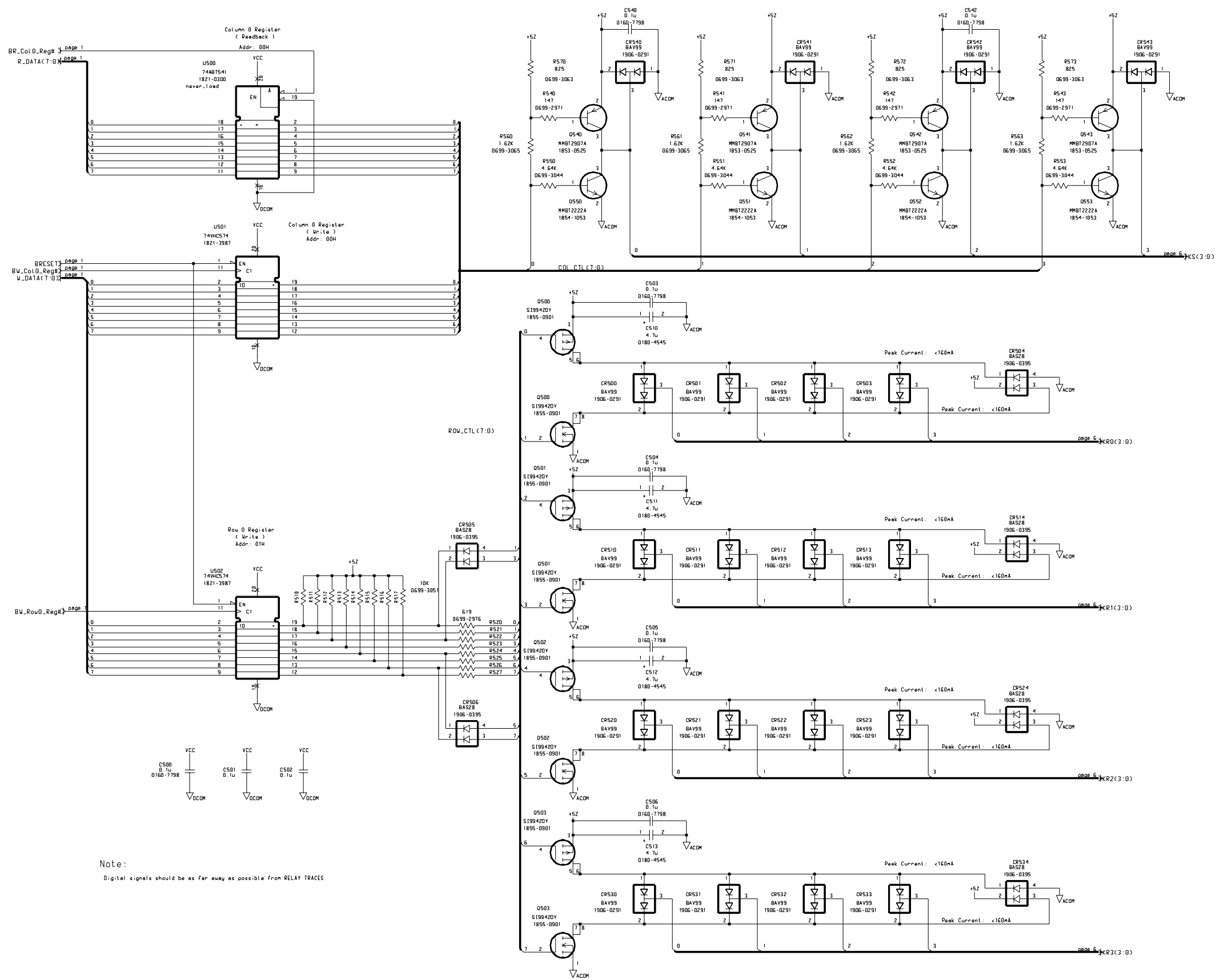


Agilent N2265A Multifunction Module
Schematic (Sheet 1 of 6)
Page 184

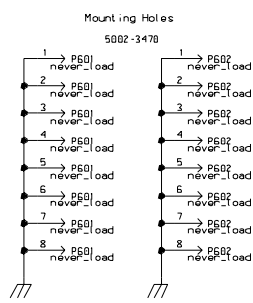
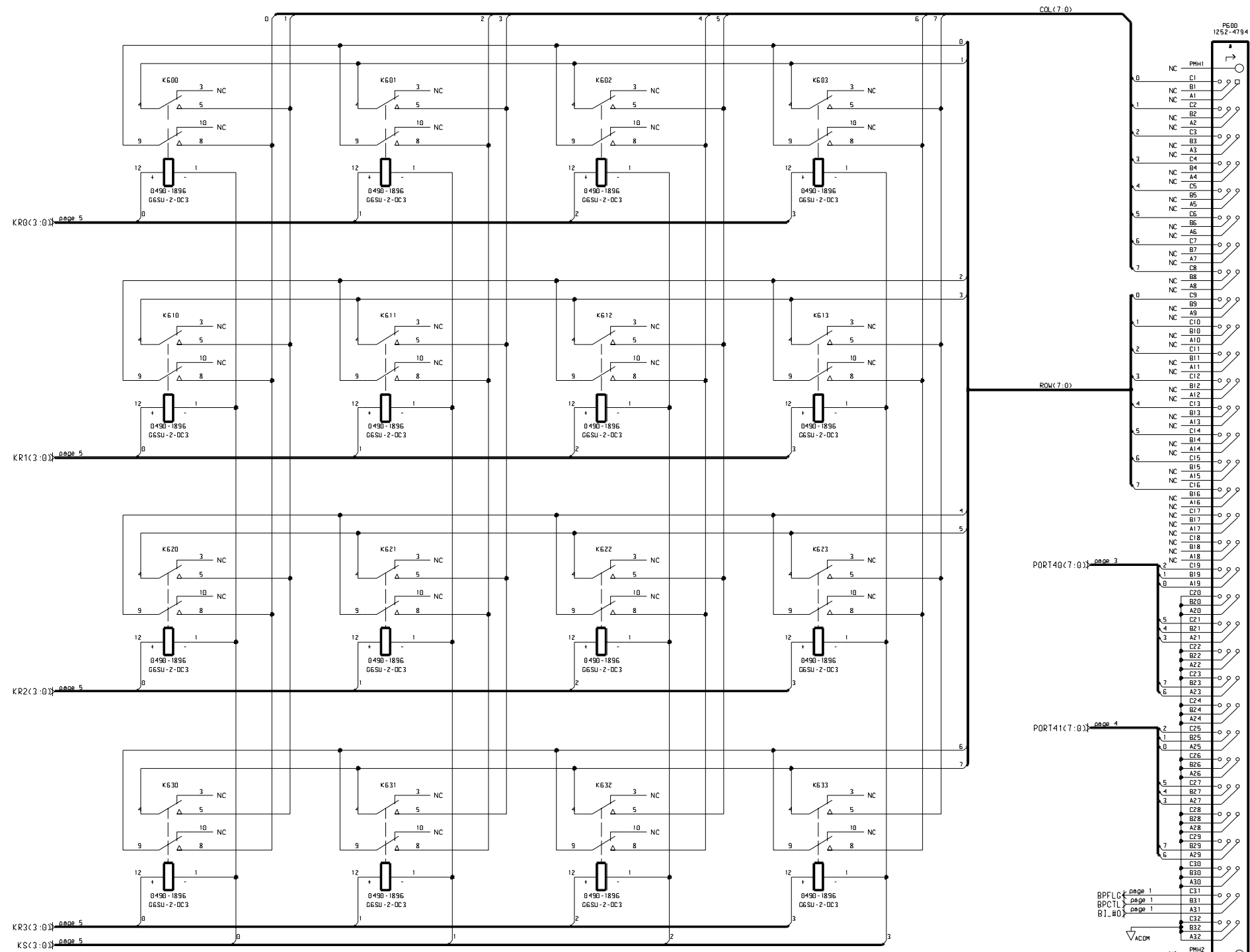




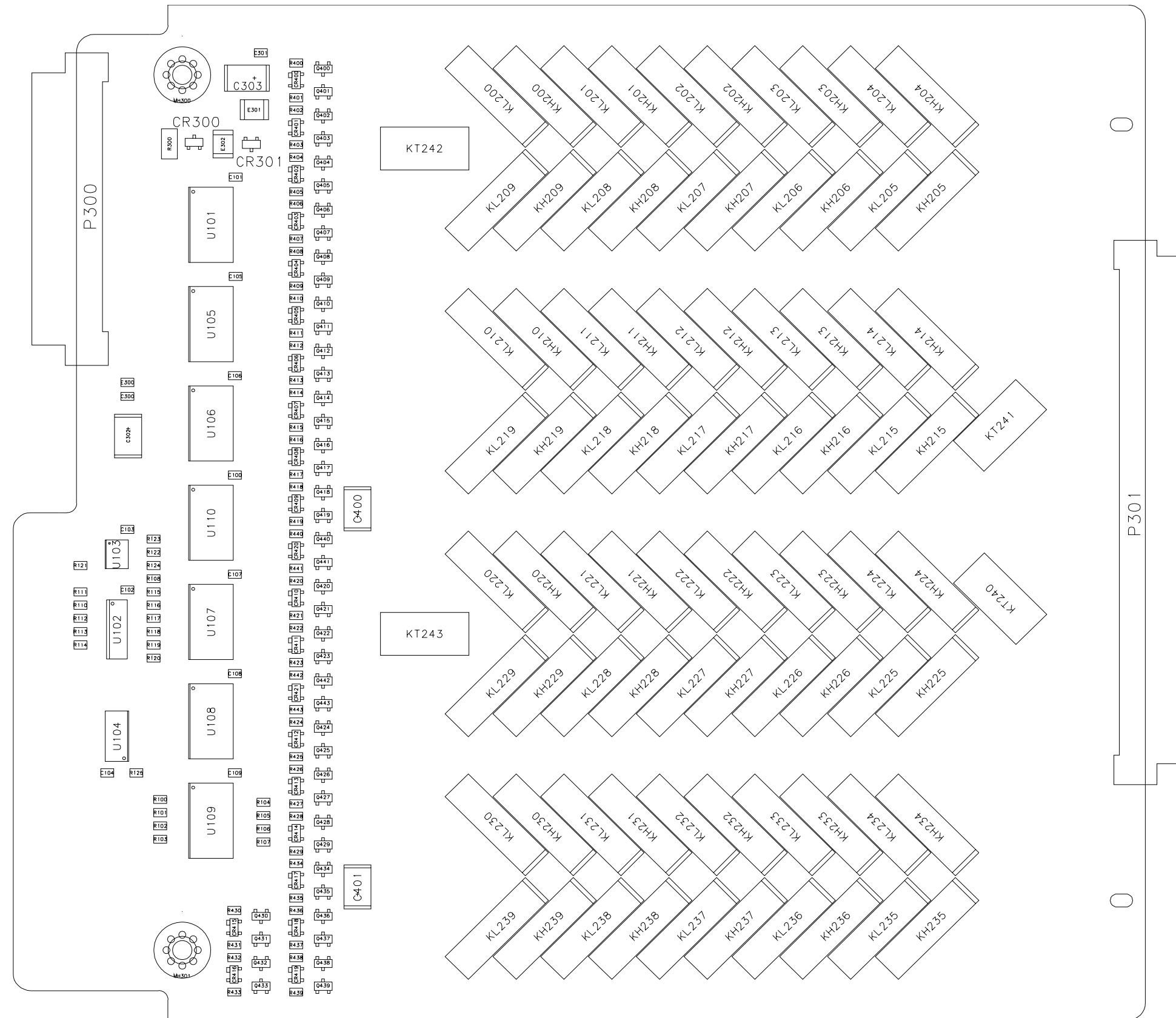


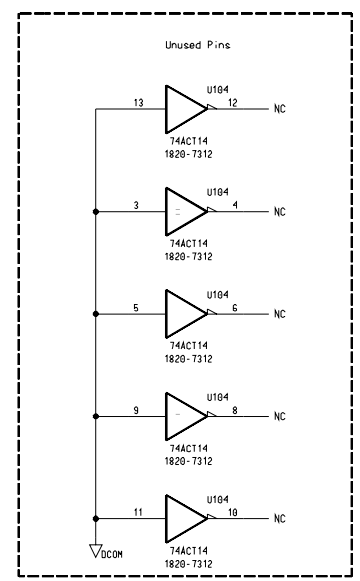
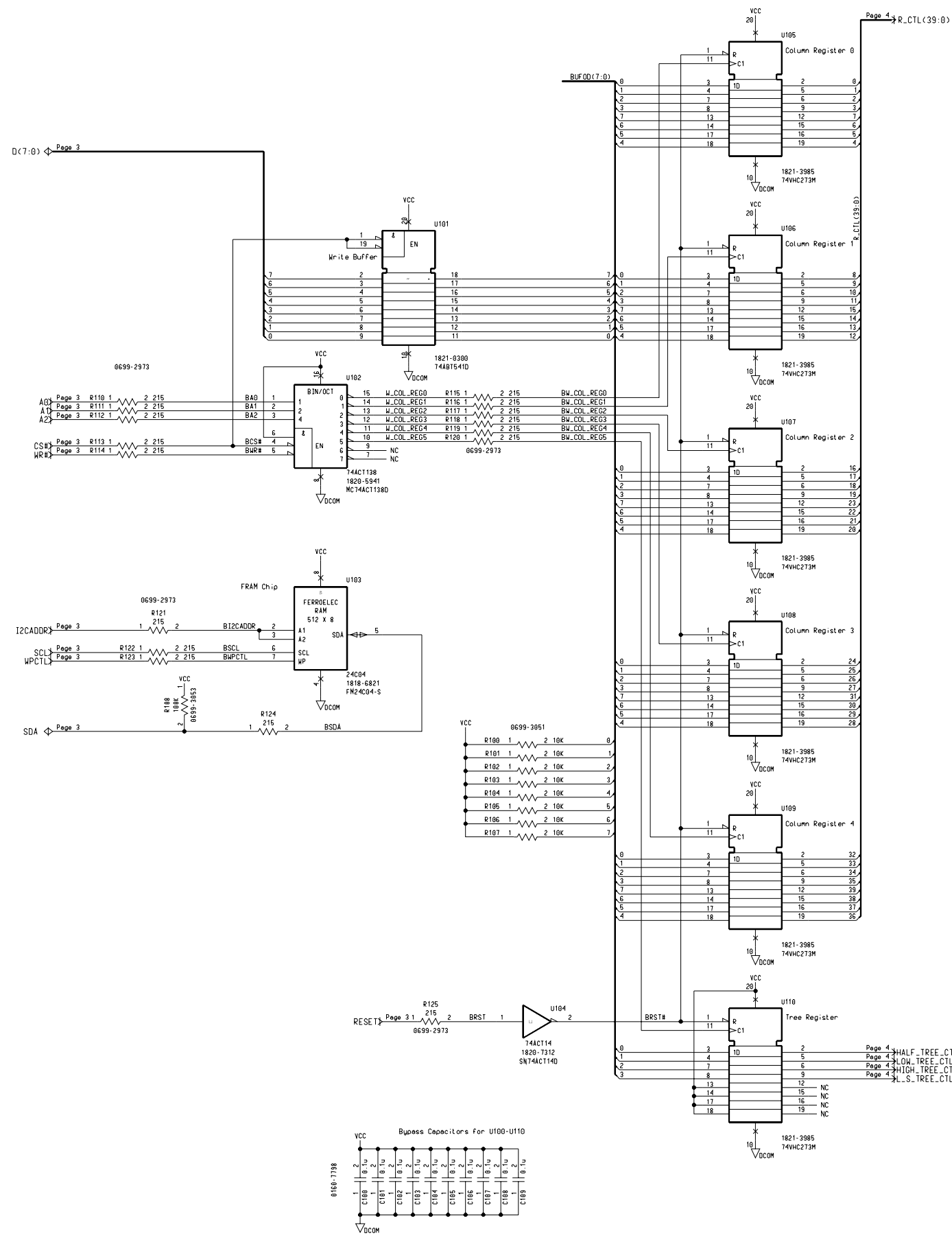


Note:
Digital signals should be as far away as possible from RELAY TRACES



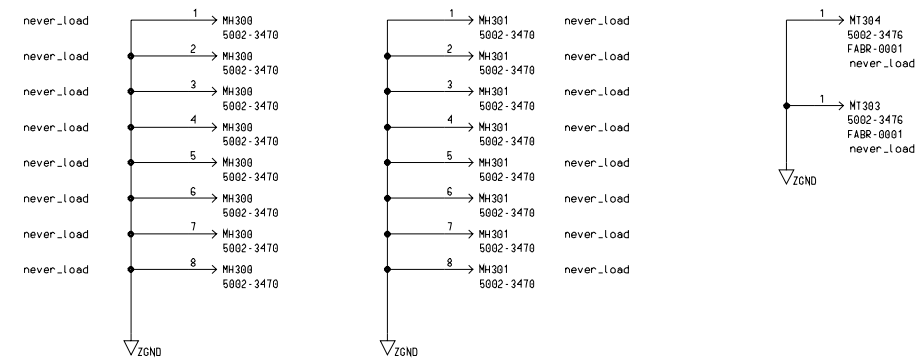
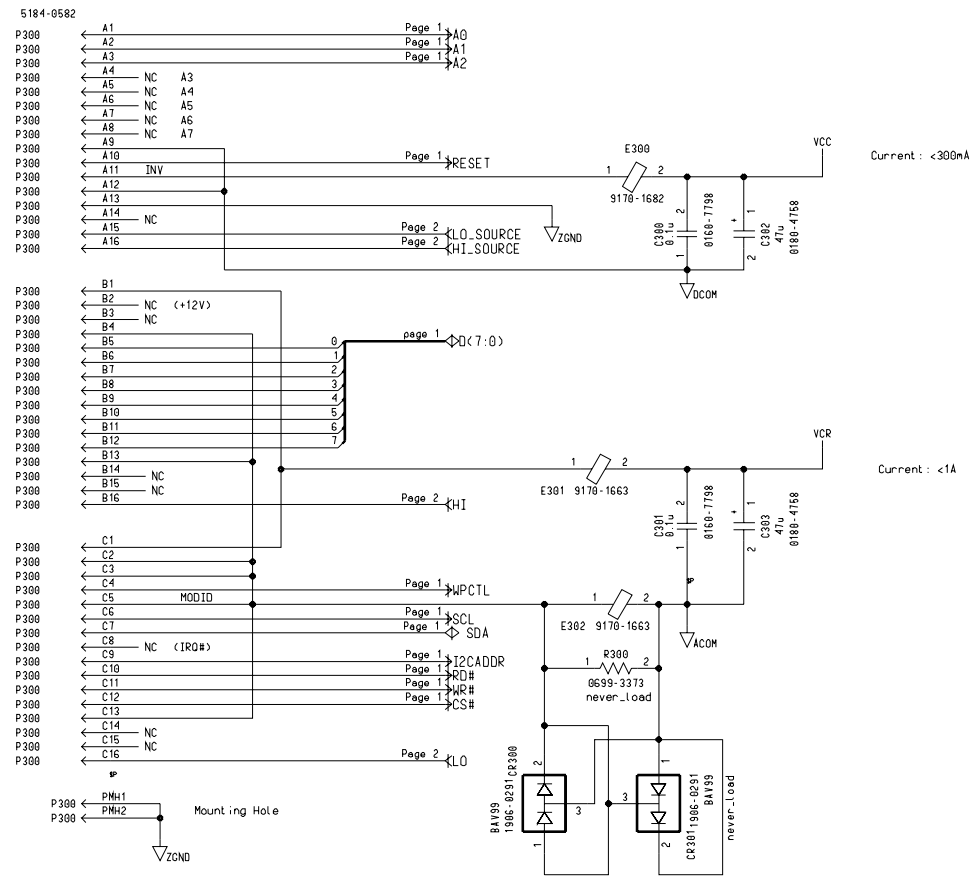
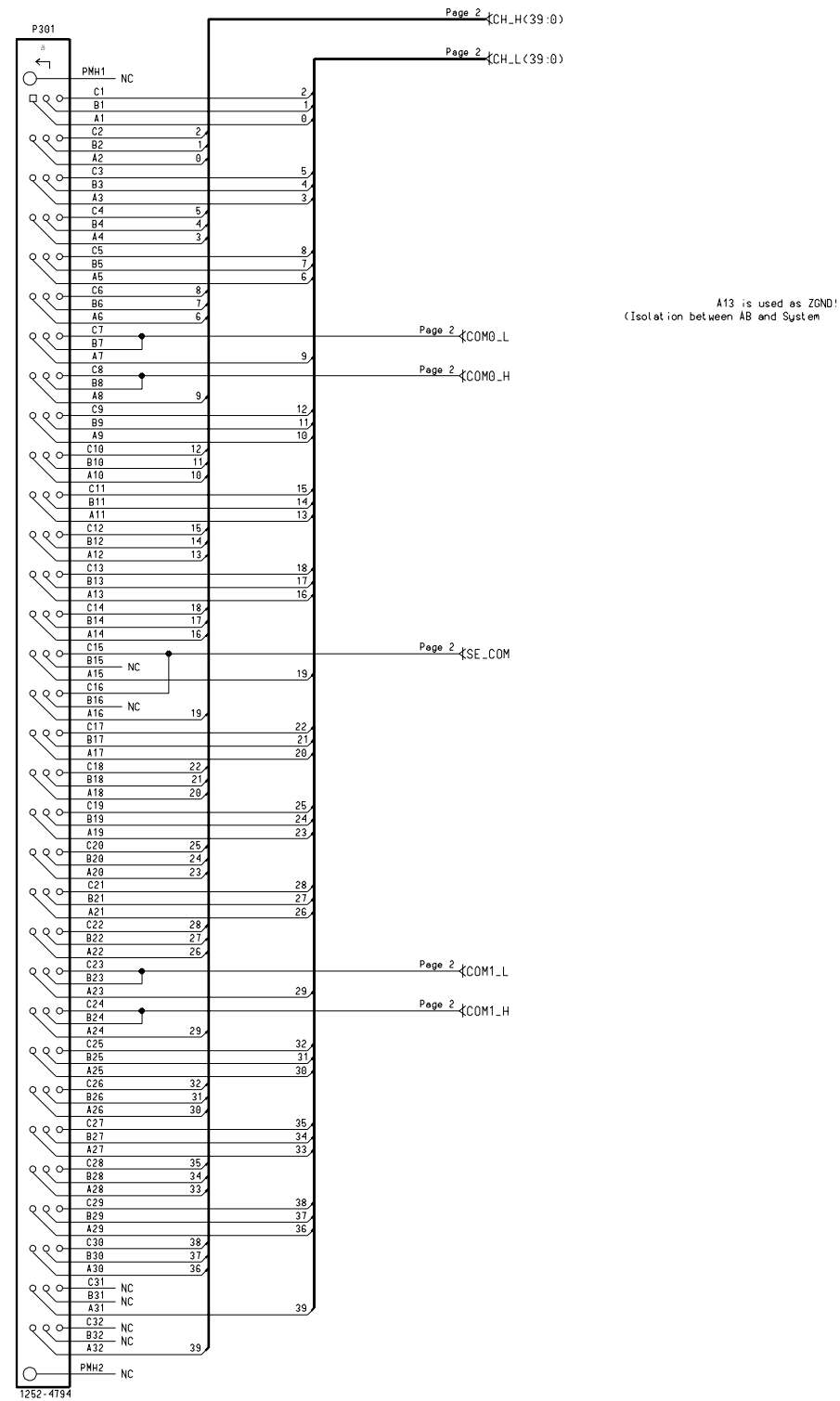
Relay Specification : 1A/200V

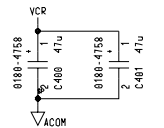
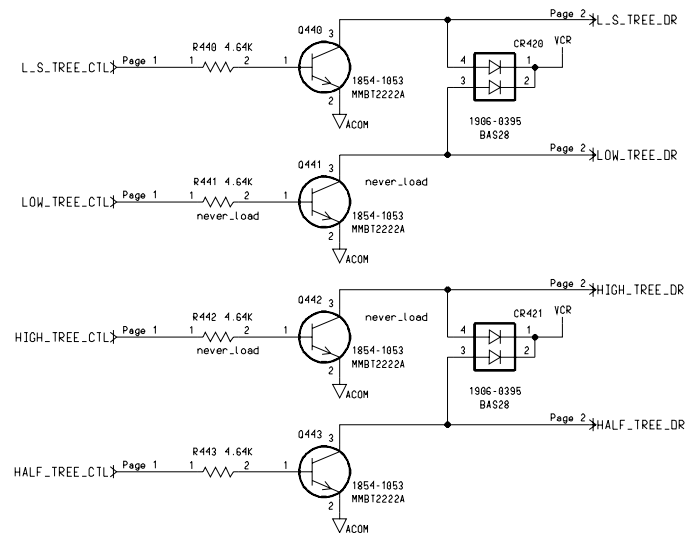
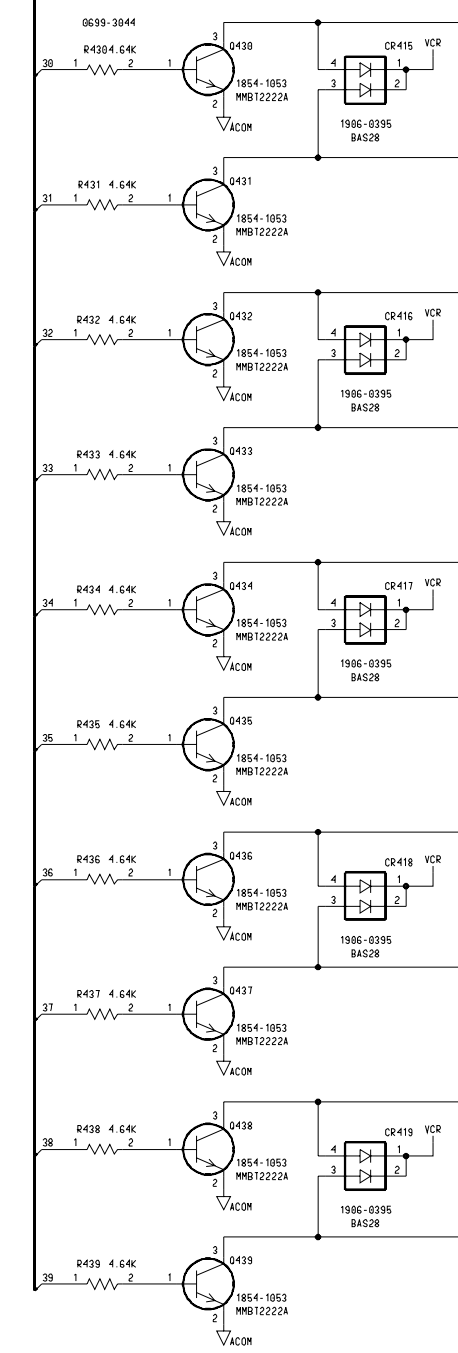
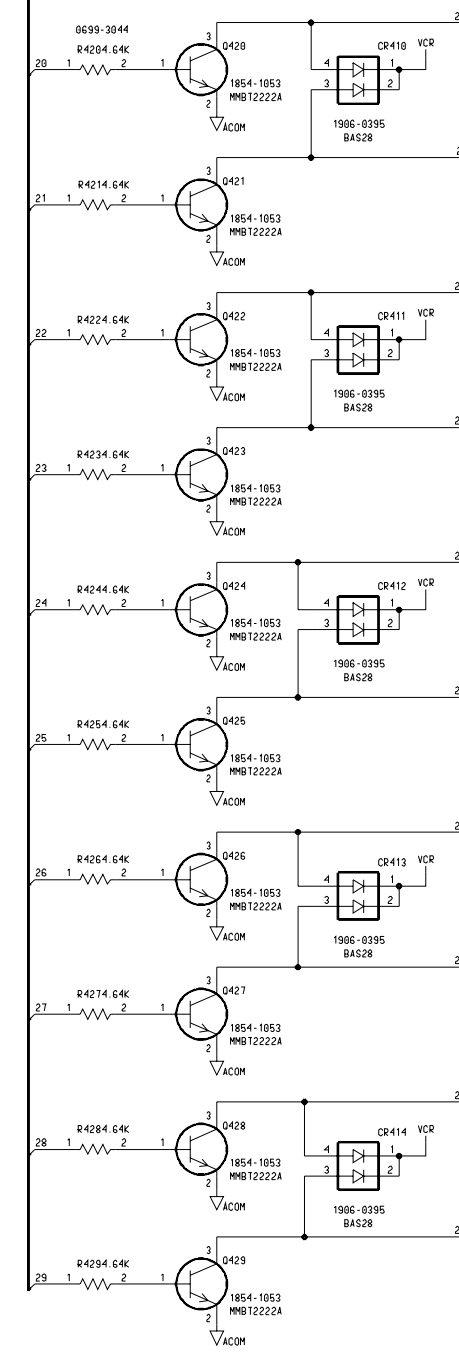
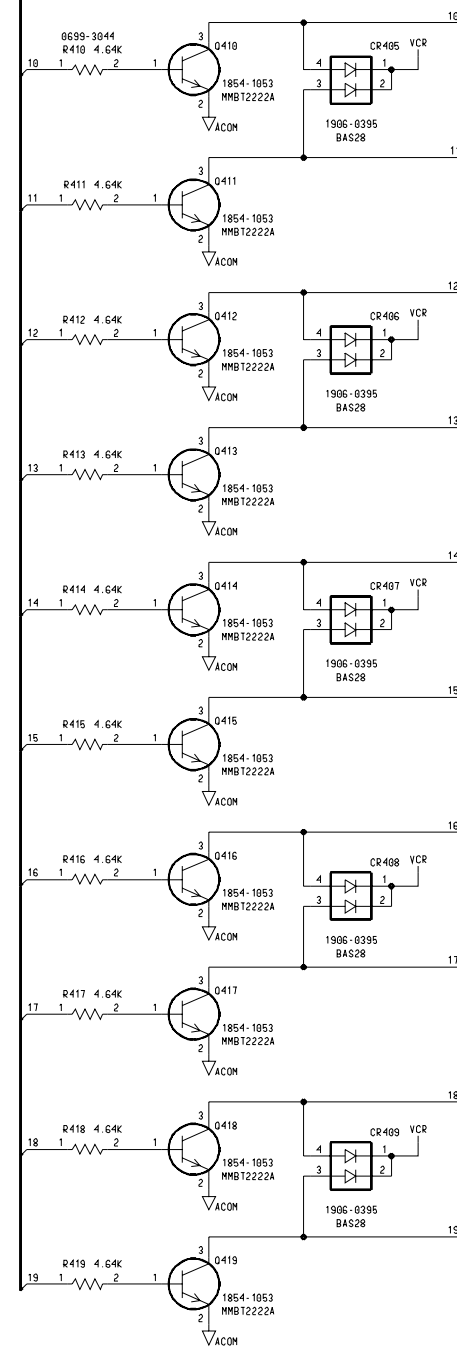
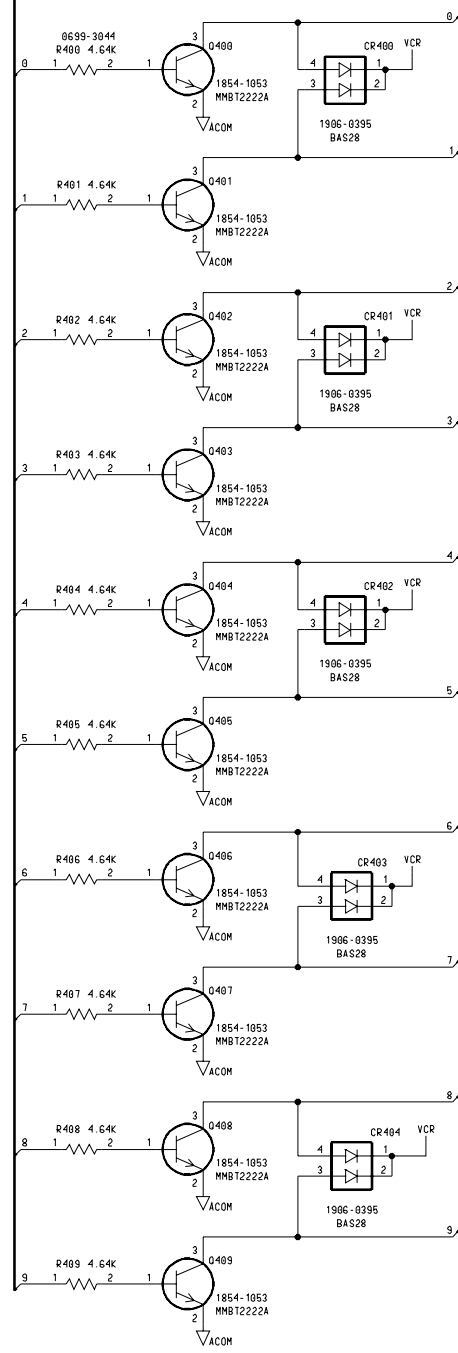


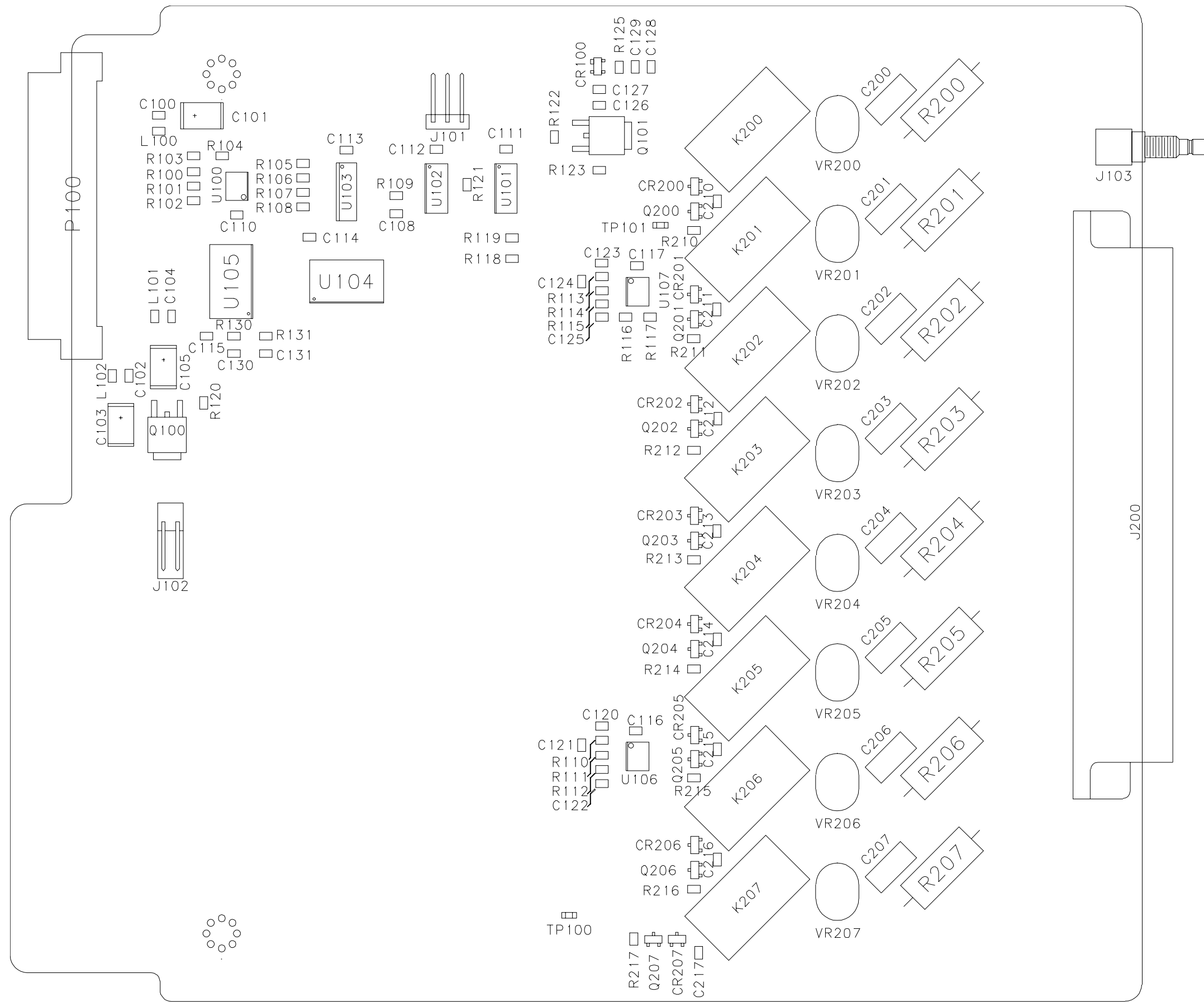




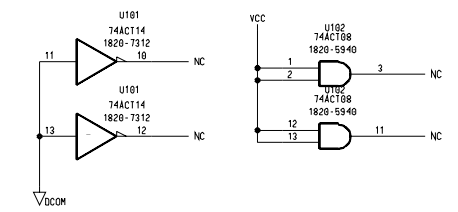
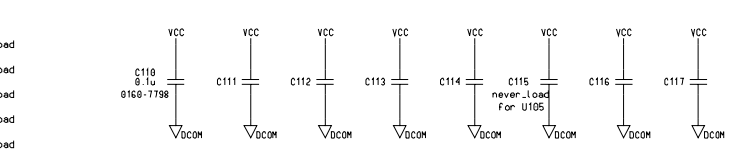
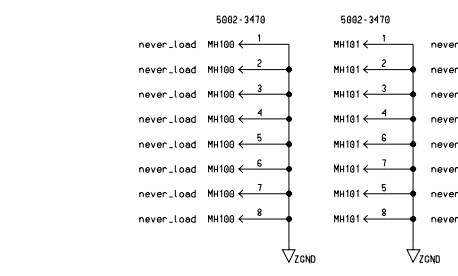
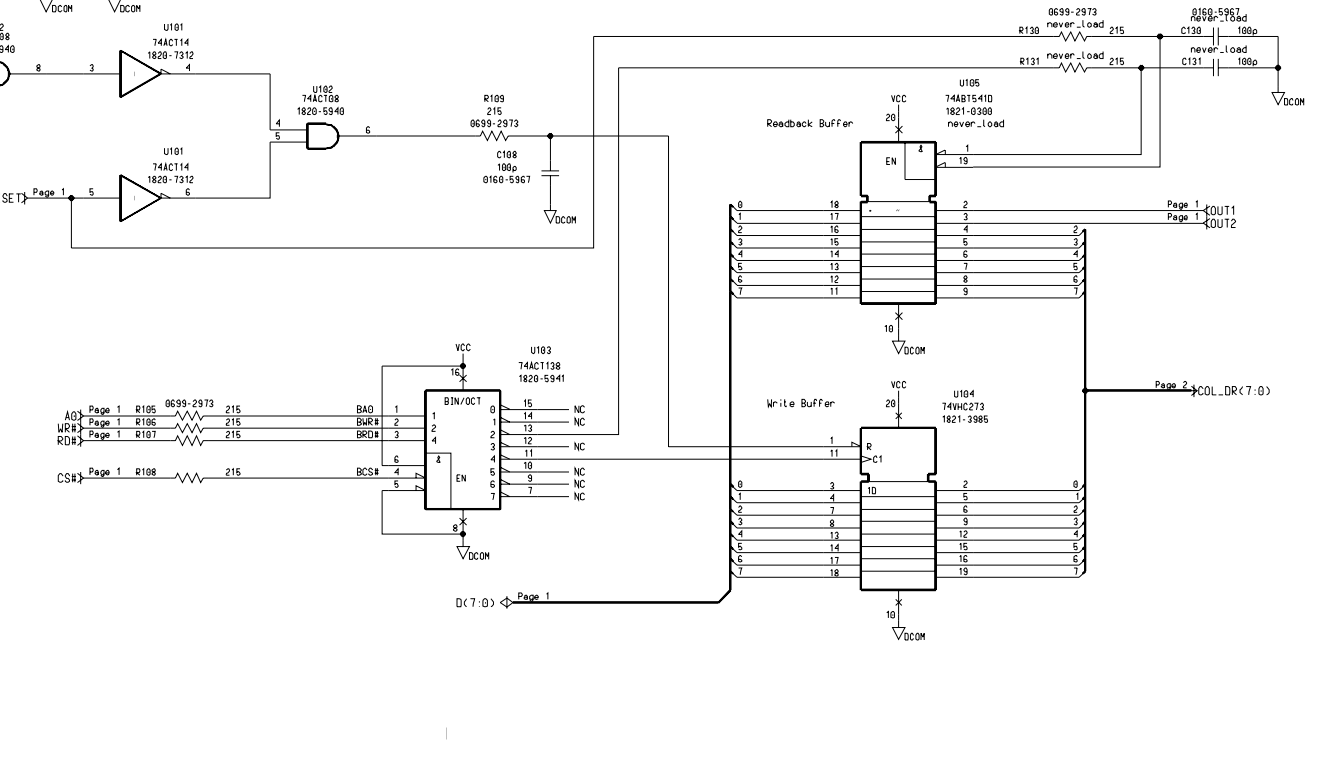
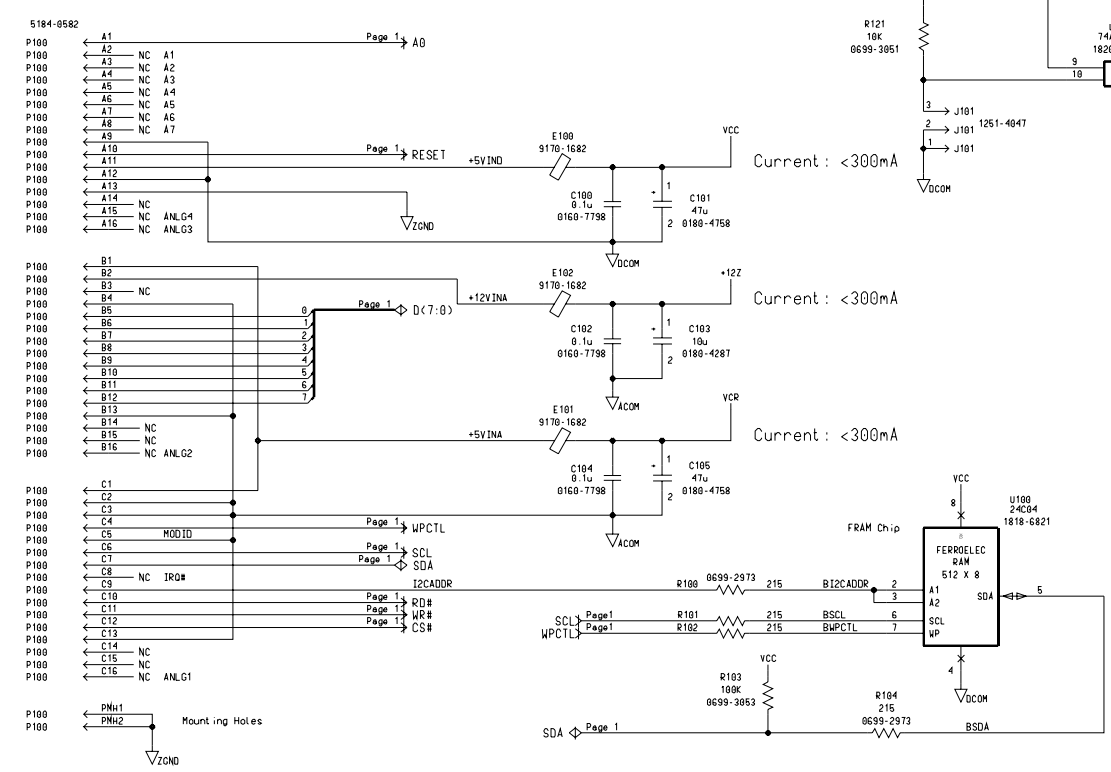
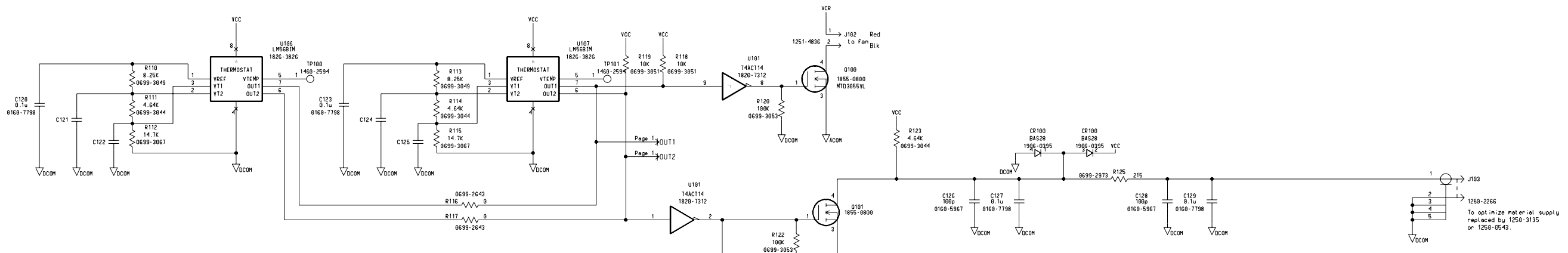
Layout Notes:
 1. If space allowed, enlarge the trace width of relay control lines.
 2. Relay specification: 0.5A/200V

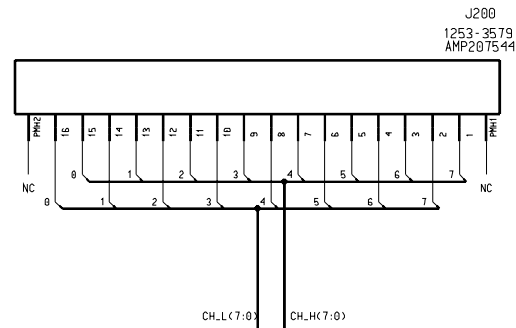




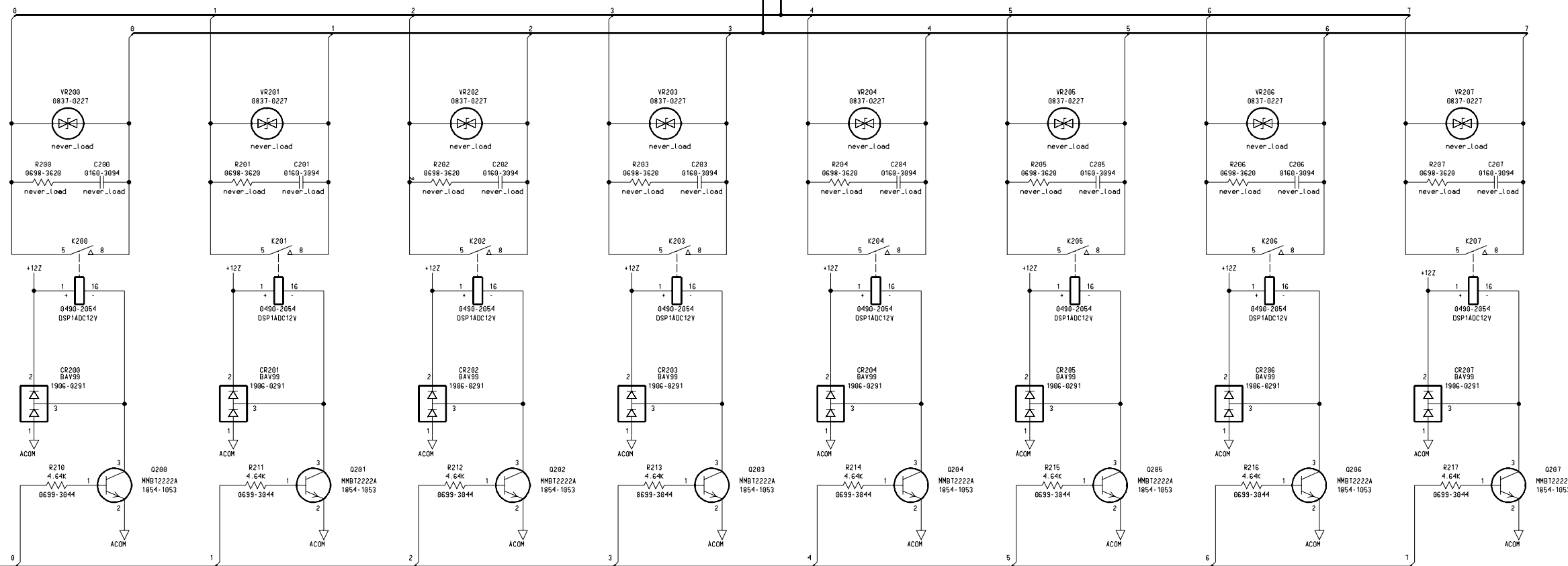


er

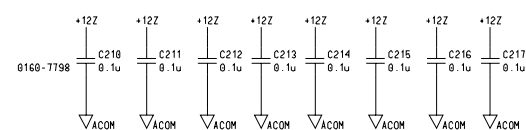


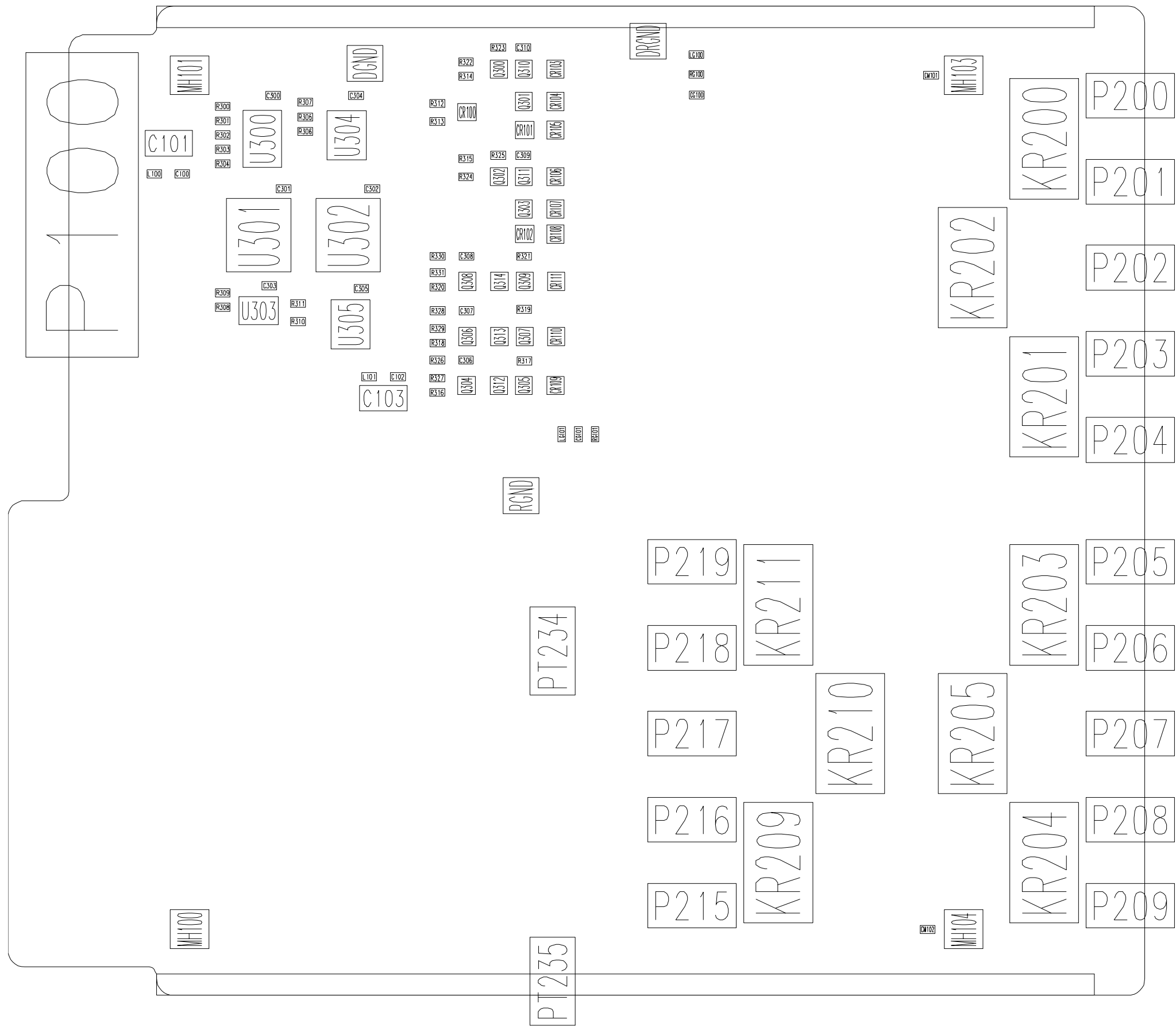


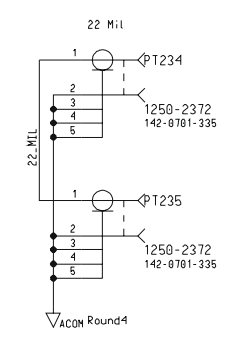
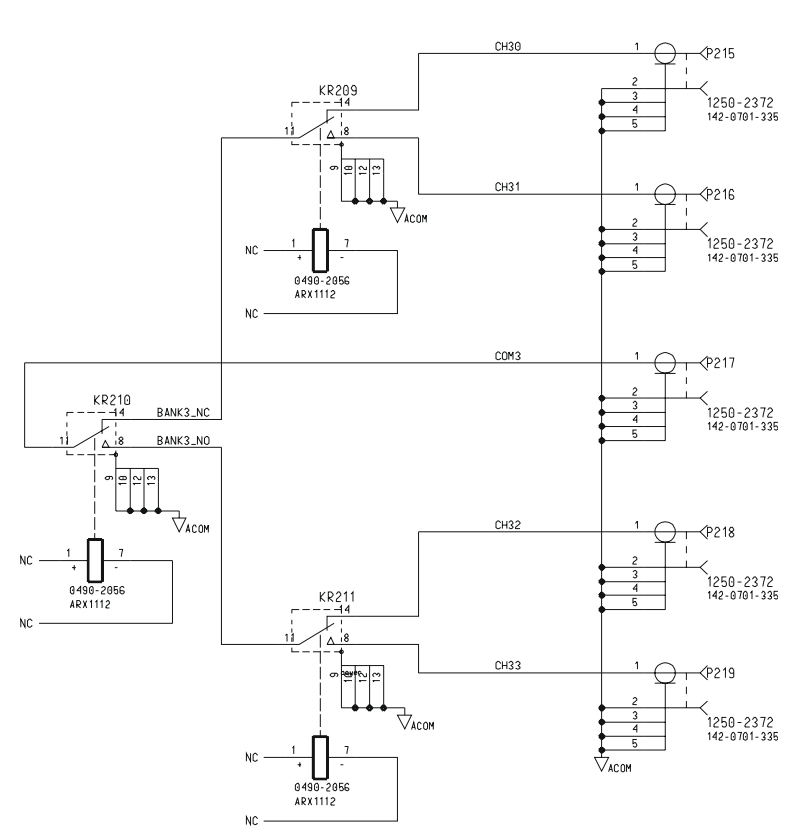
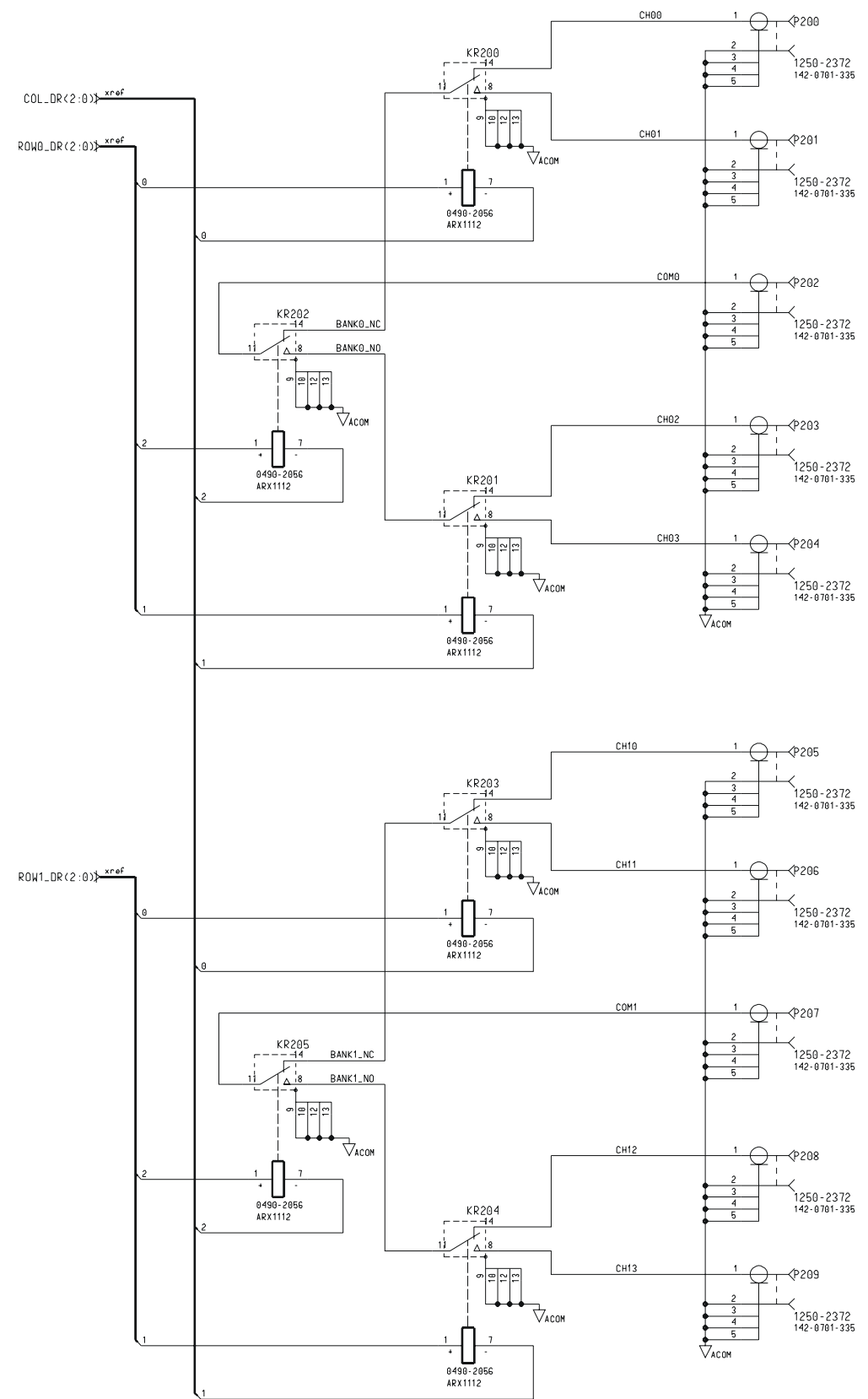
DSP1A-12VDC Specification:
8A/380V
N2267A Specification:
8A/250V

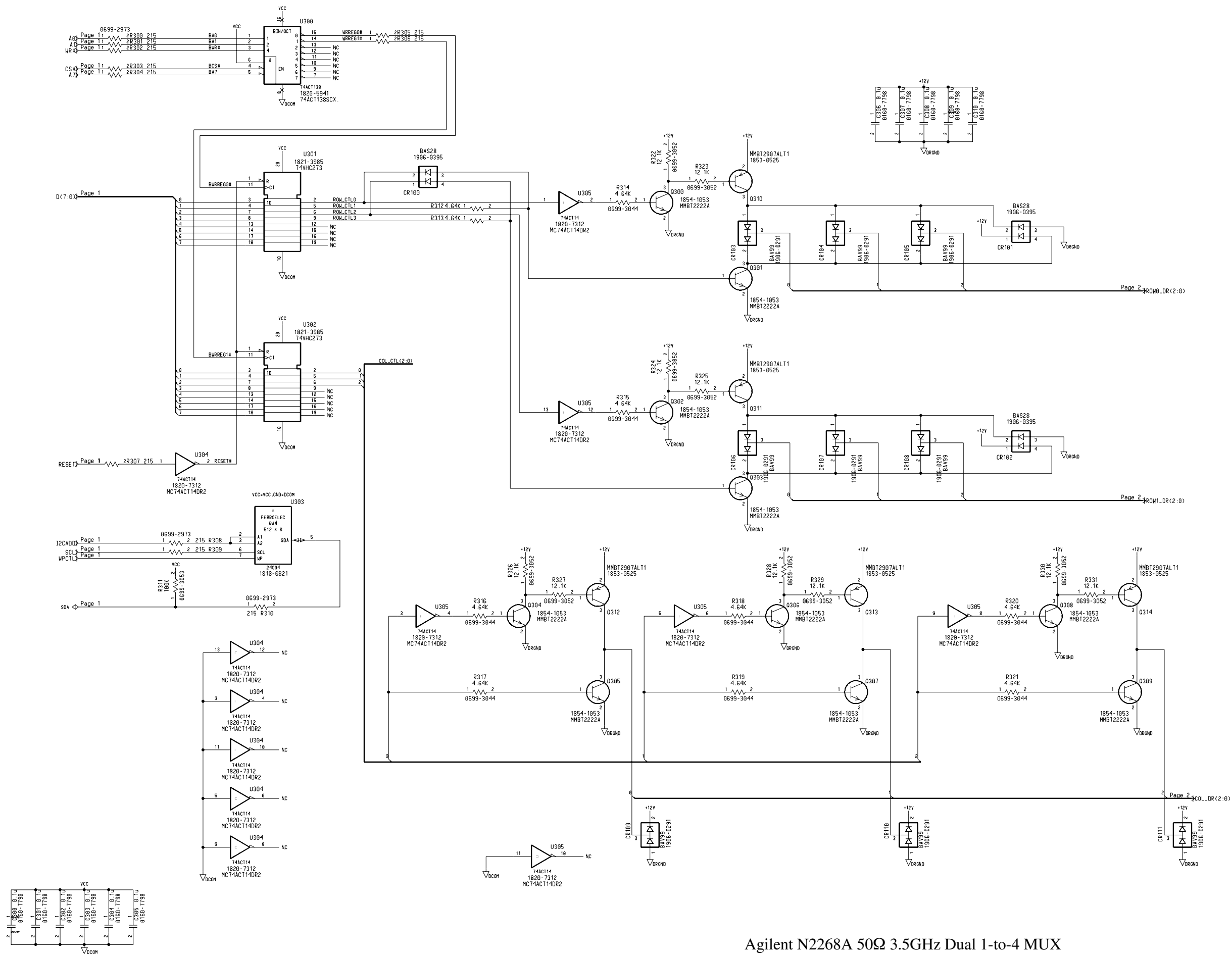


COL_DR (7:0) Page 1

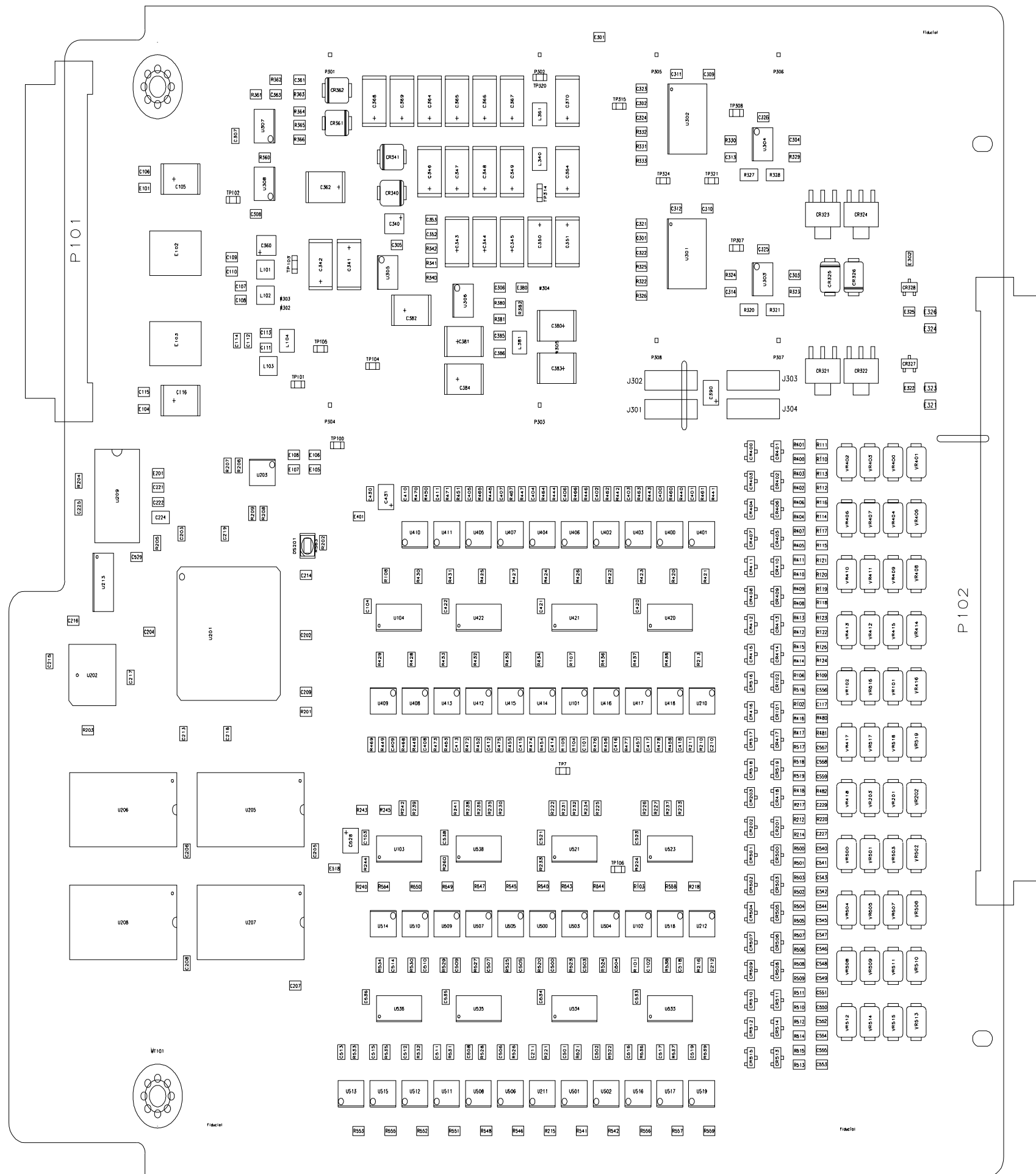


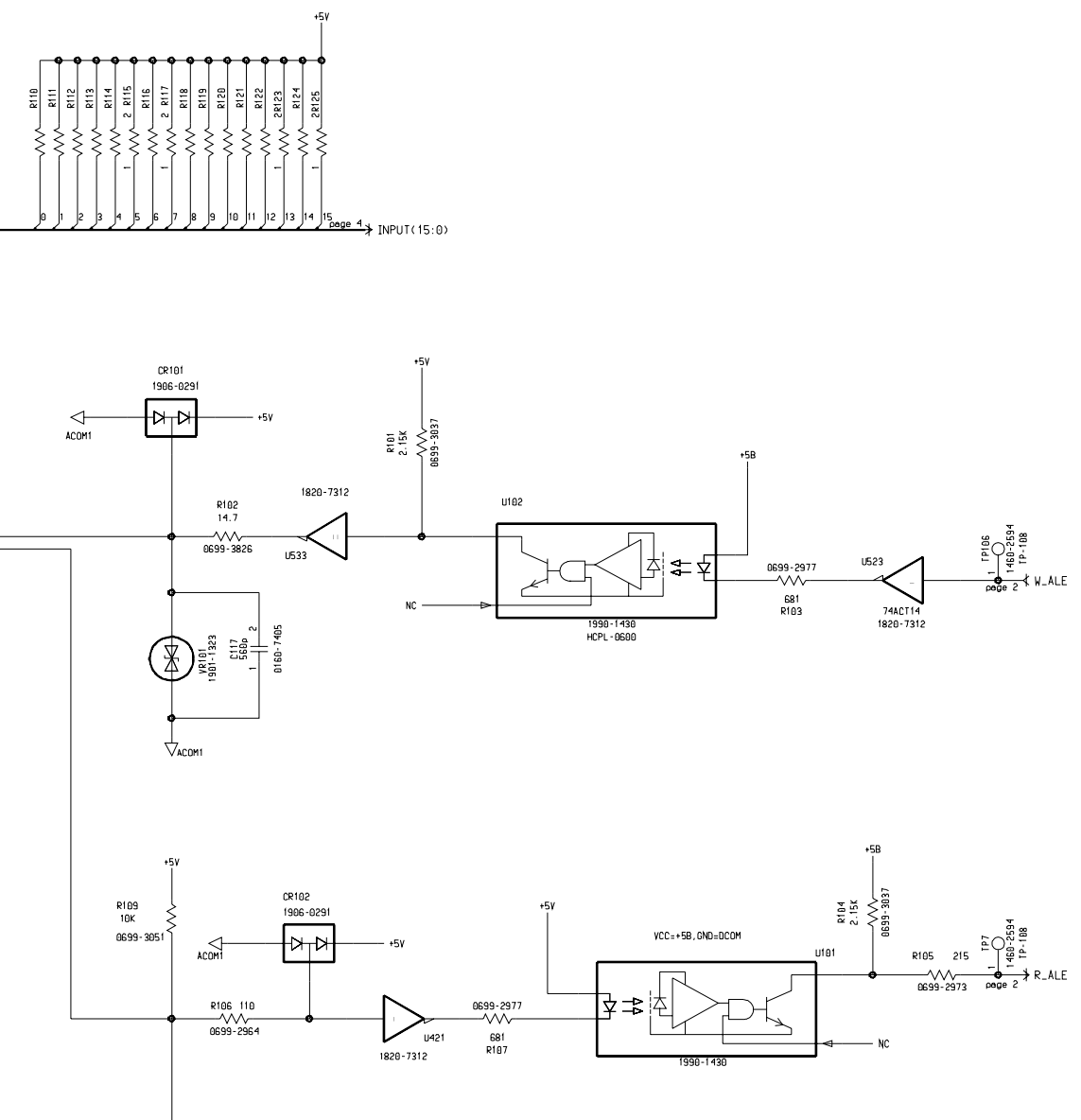
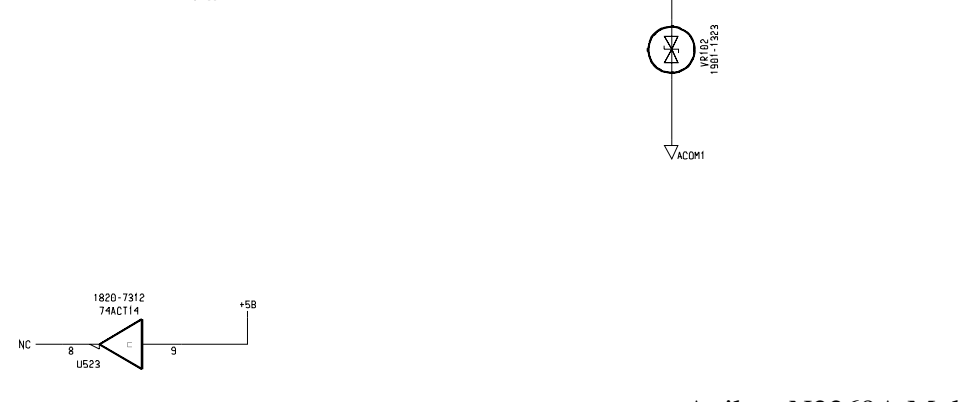
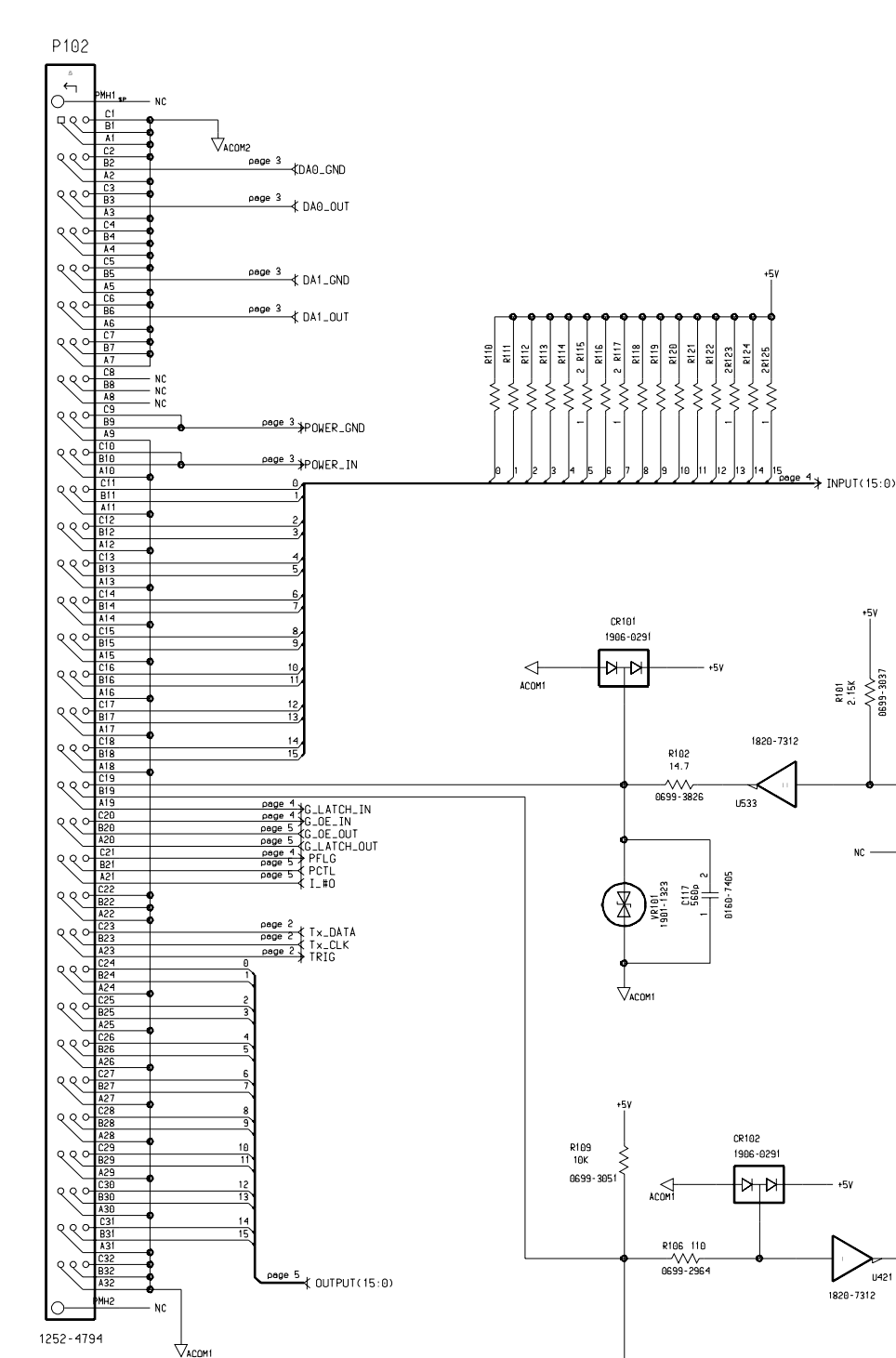
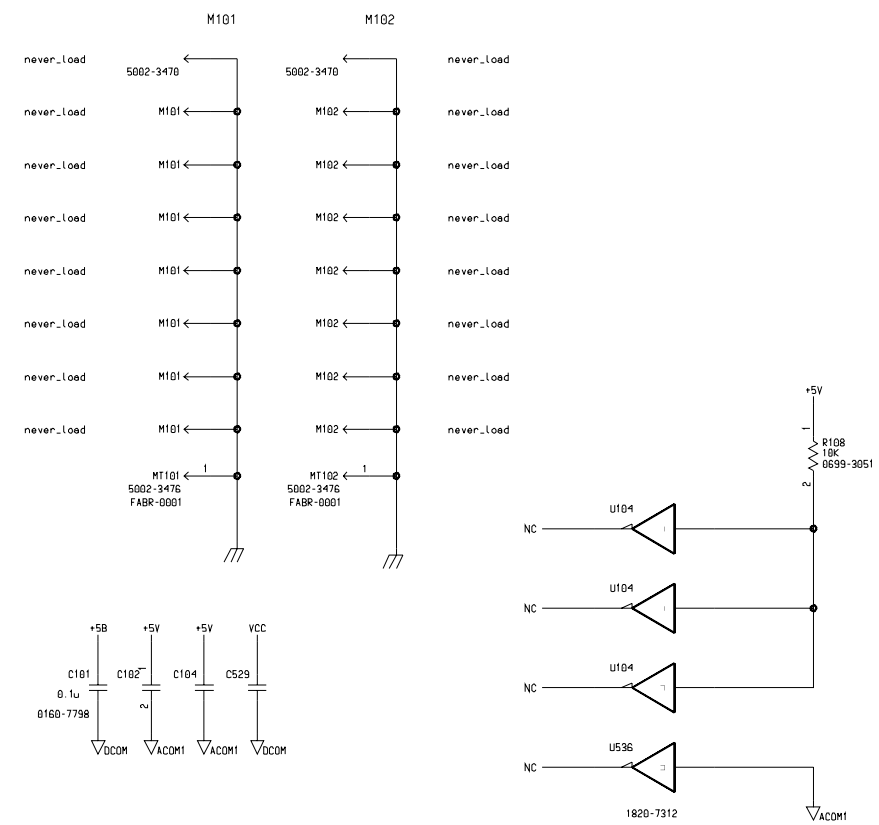
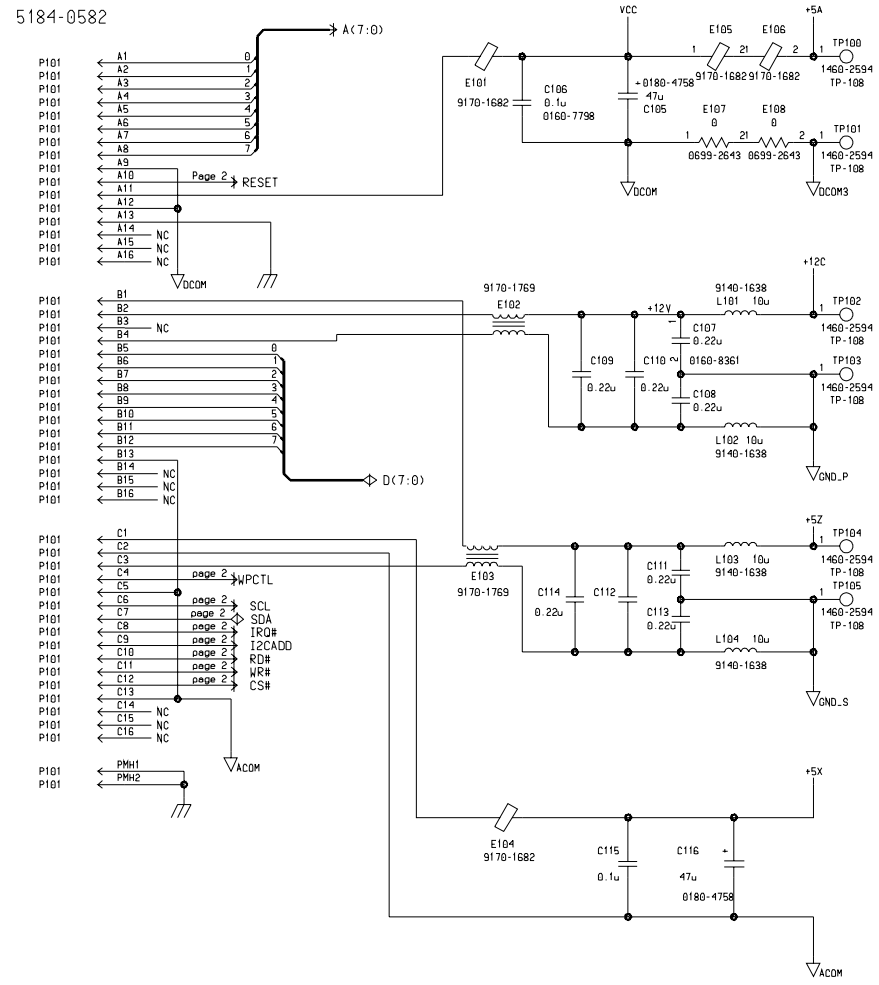




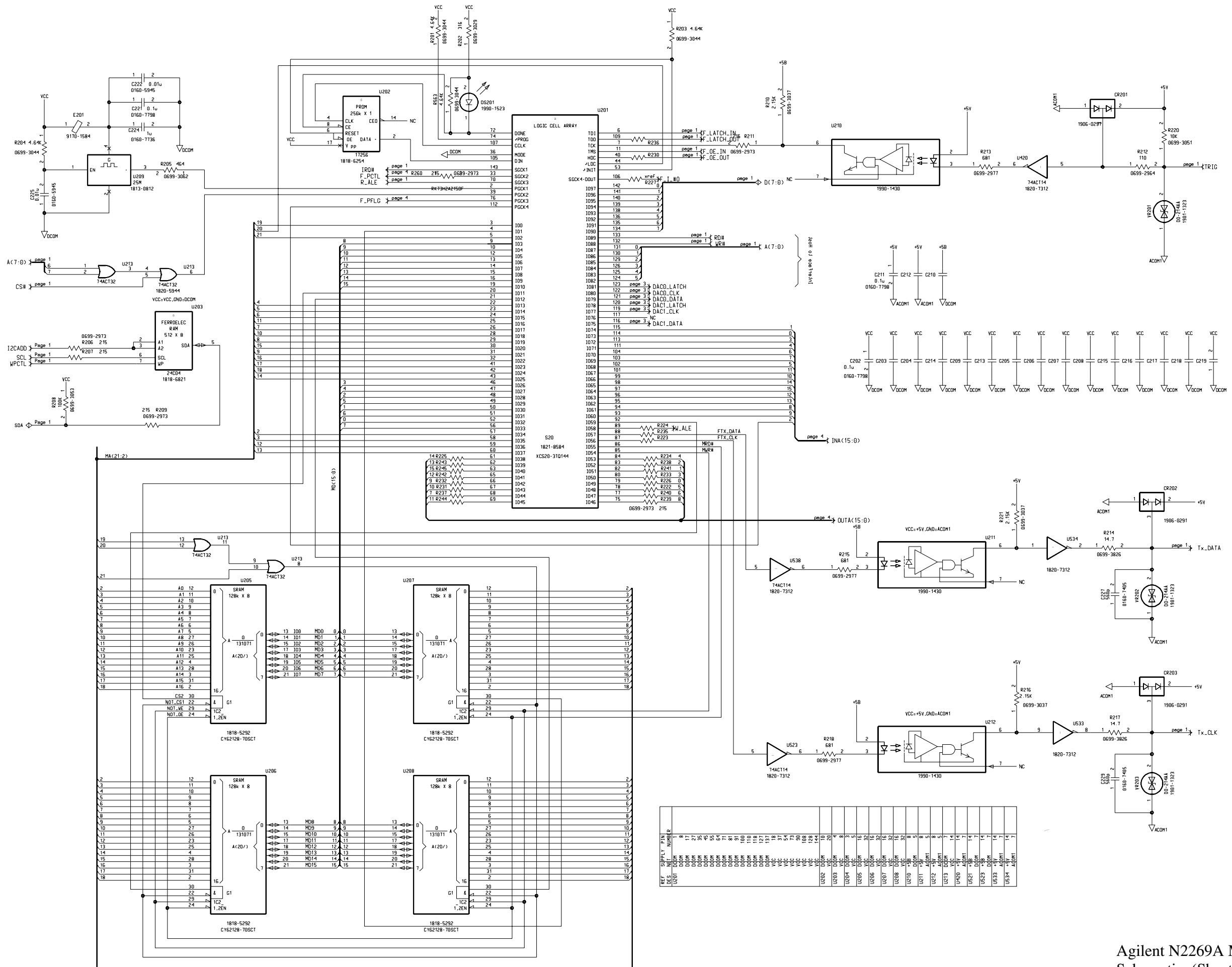


Agilent N2268A 50Ω 3.5GHz Dual 1-to-4 MUX
 Module Schematic (Sheet 3 of 3)
 Page 202

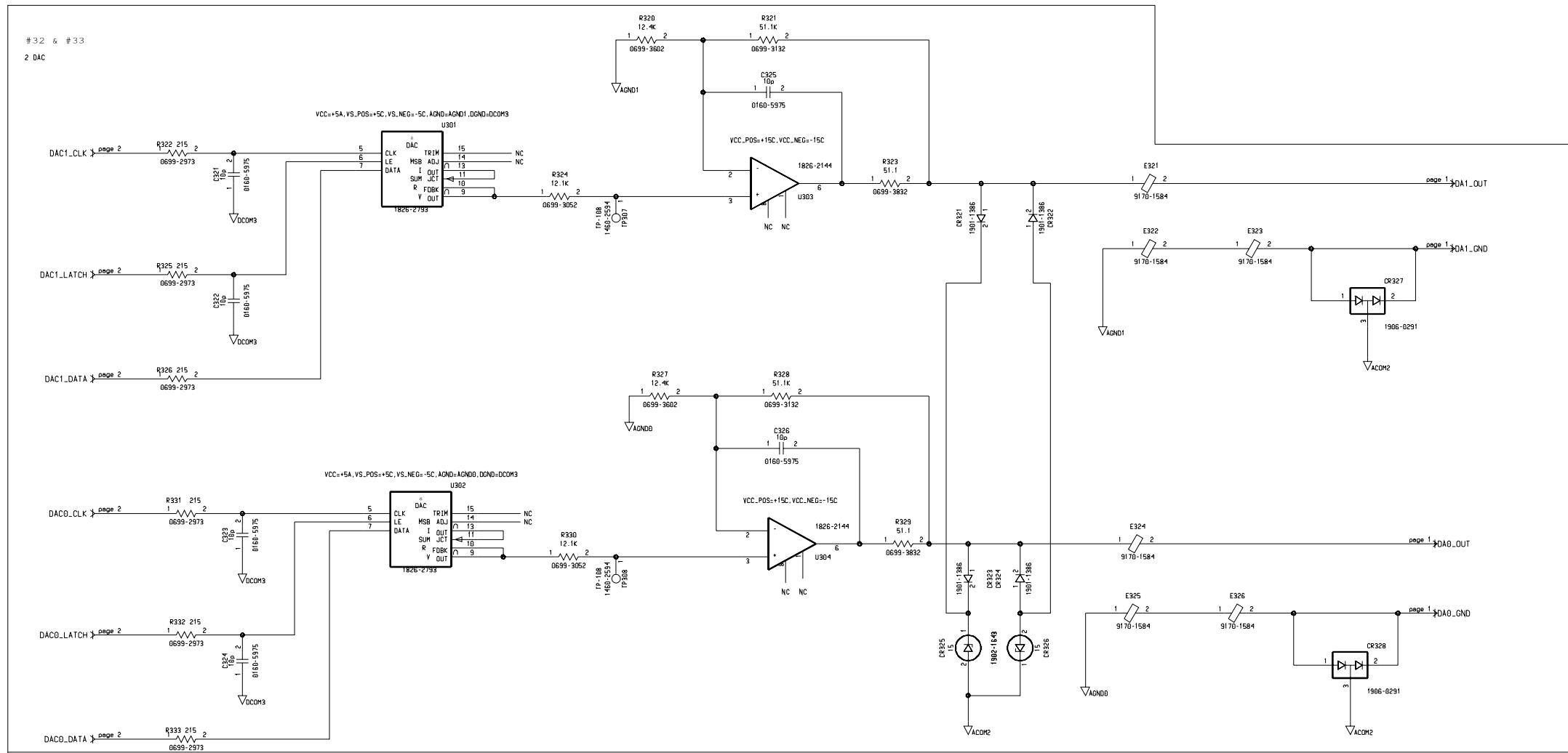




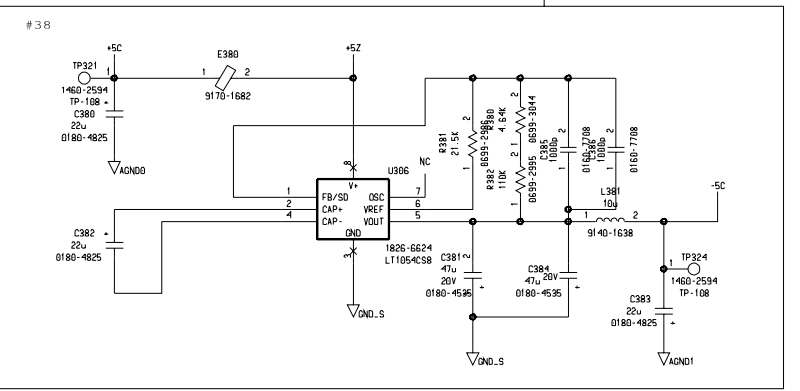
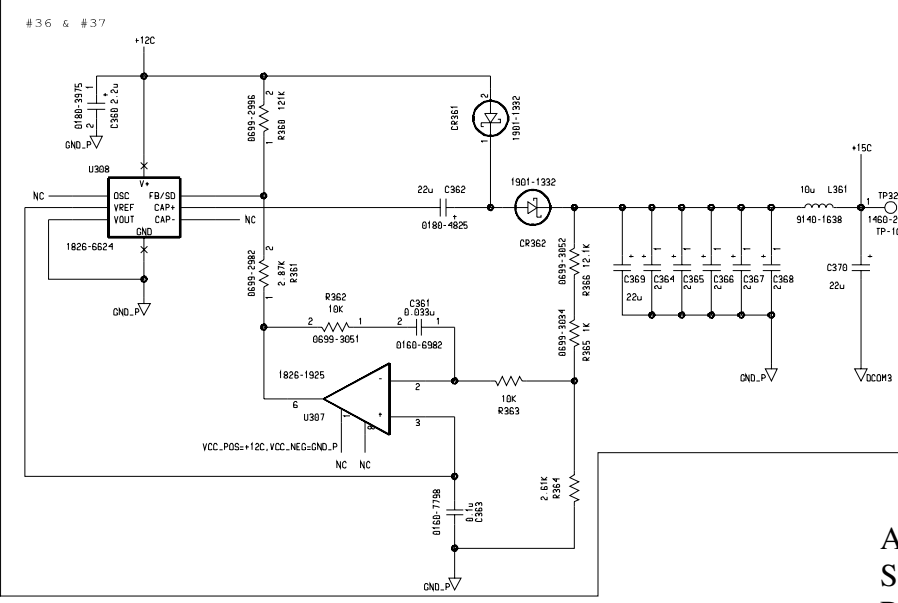
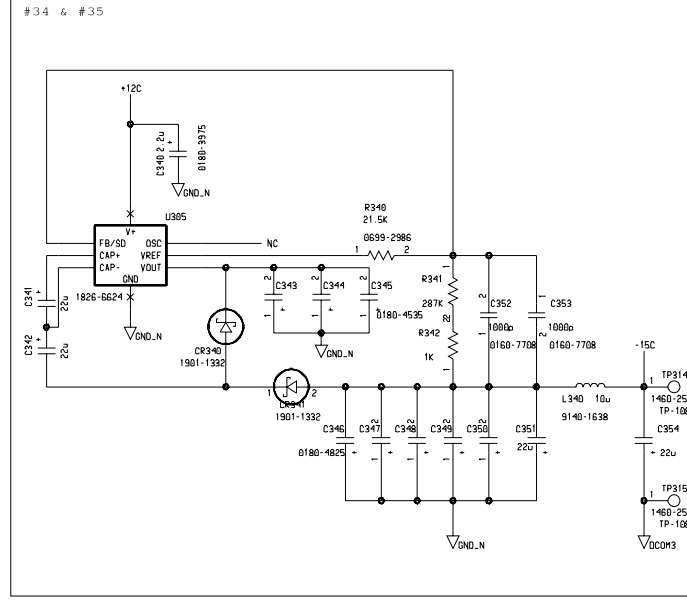
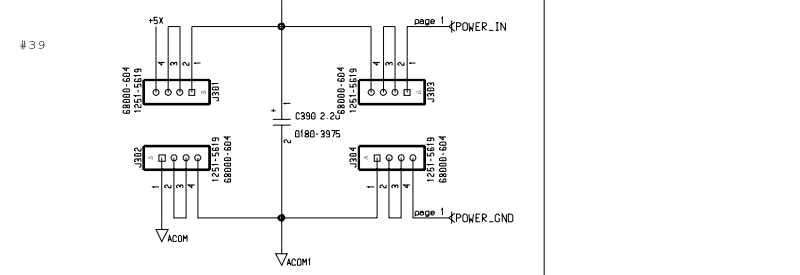
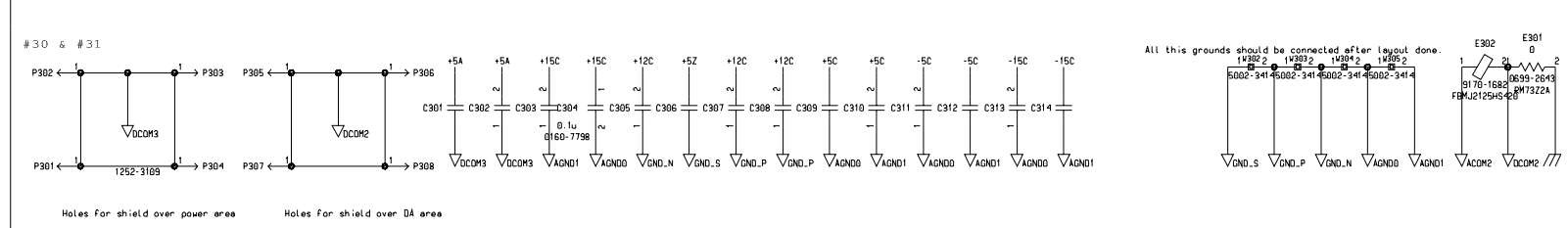
REF	SUPPLY	PIN
U101	+5B	8
U101	DCCM	5
U102	+5V	8
U104	+5V	14
U104	ACQM1	7
U421	+5V	14
U421	ACQM1	7
U523	+5B	14
U523	DCCM	7
U533	+5V	14
U533	ACQM1	7
U536	+5V	14
U536	ACQM1	7

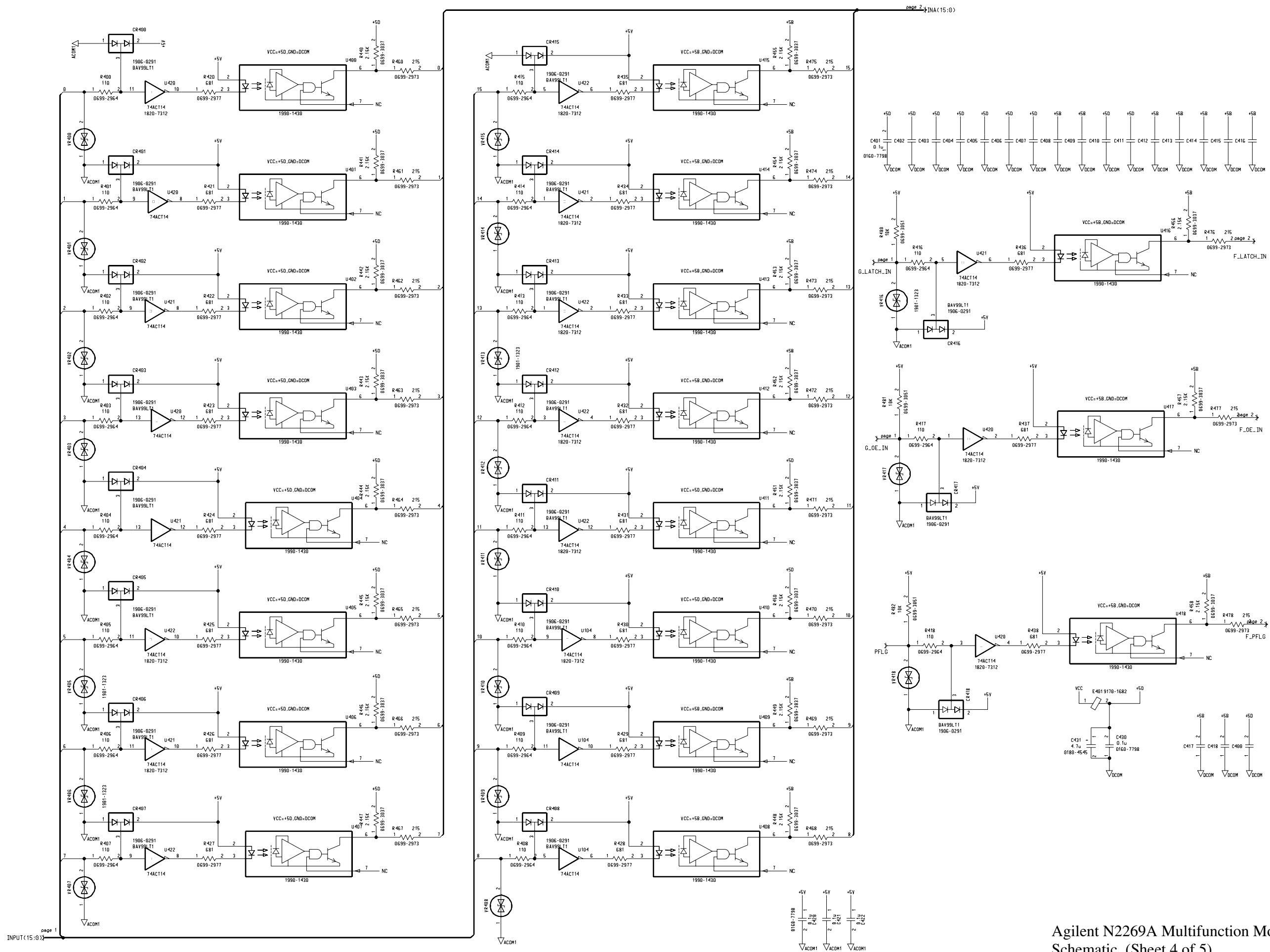


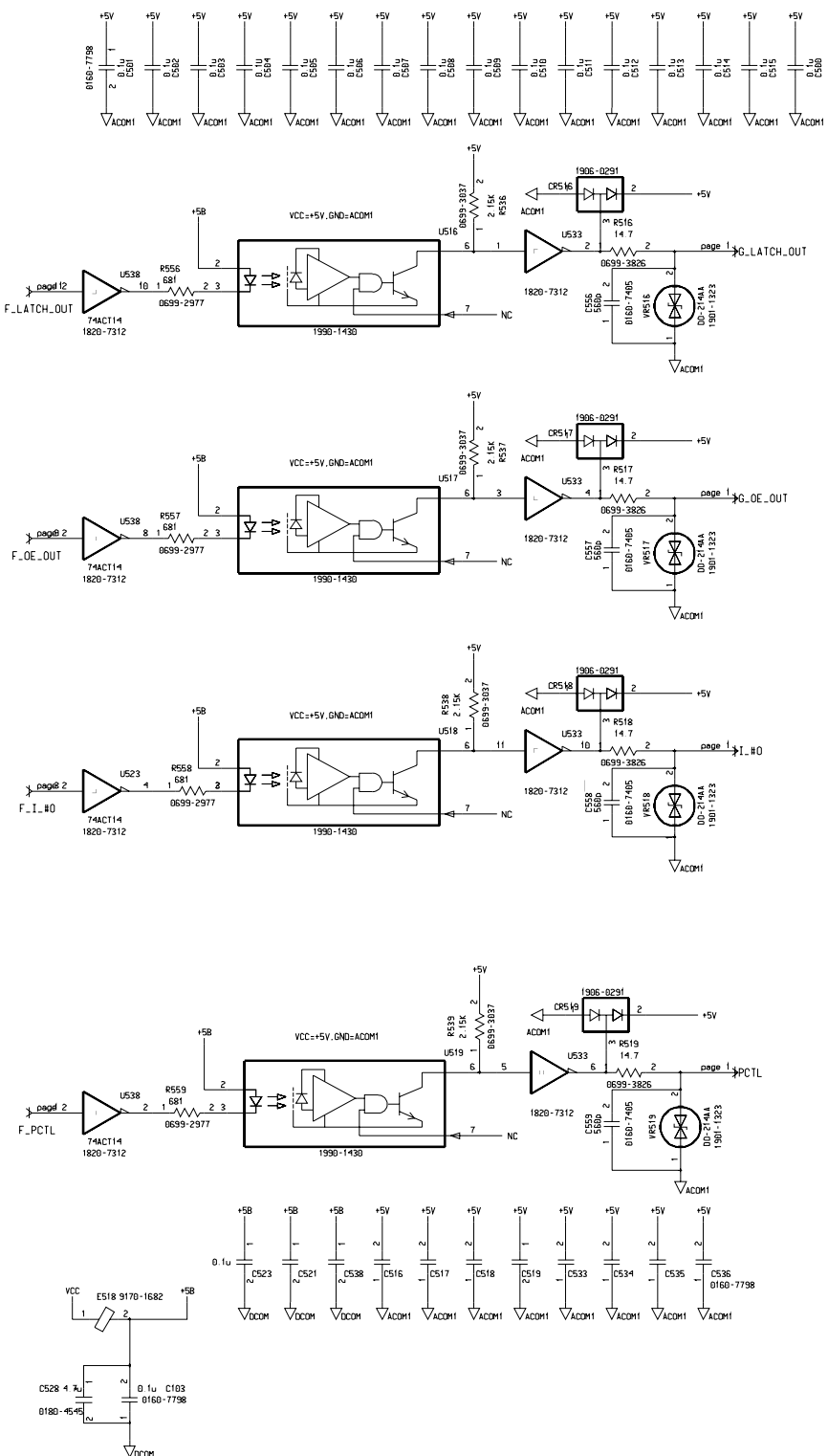
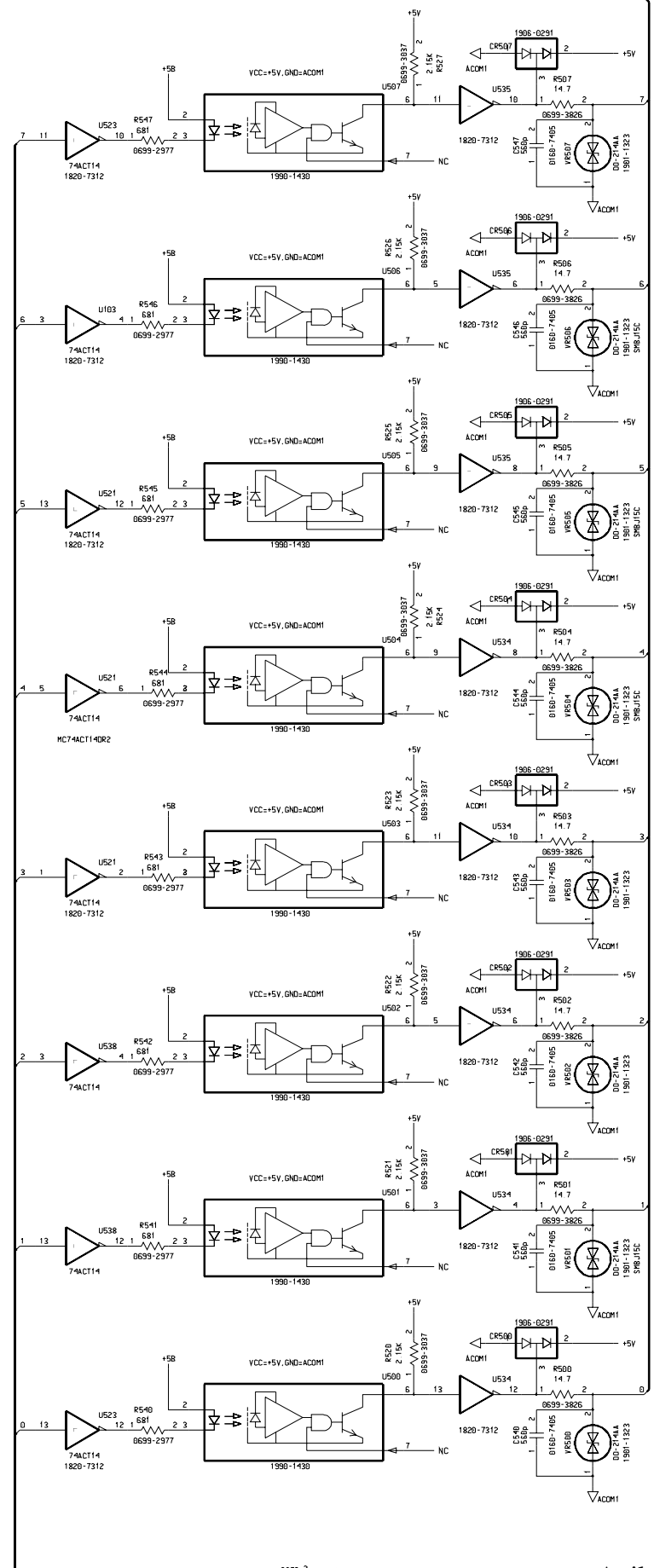
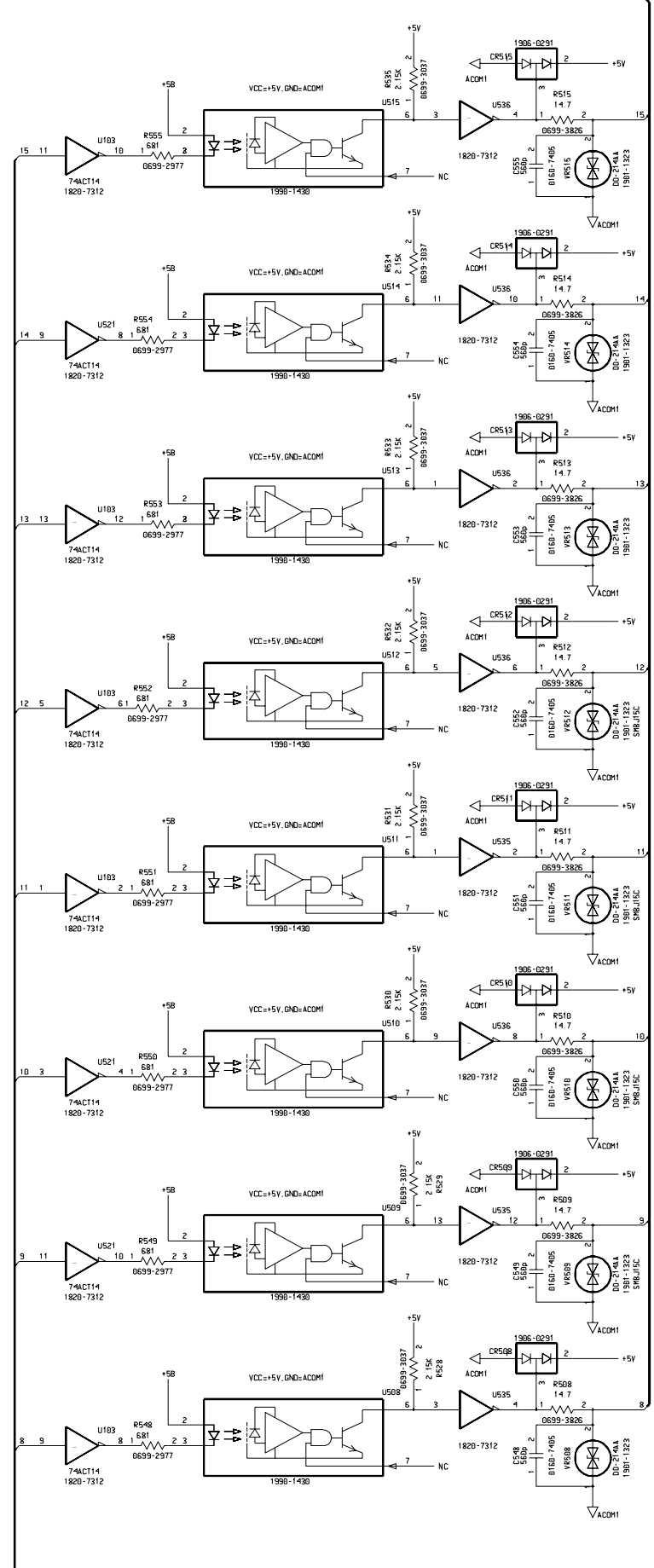
REF.	SUPPLY	PIN	NUMBER
U201	VCC	1	109
U201	VCC	2	110
U201	VCC	3	111
U201	VCC	4	112
U201	VCC	5	113
U201	VCC	6	114
U201	VCC	7	115
U201	VCC	8	116
U201	VCC	9	117
U201	VCC	10	118
U201	VCC	11	119
U201	VCC	12	120
U201	VCC	13	121
U201	VCC	14	122
U201	VCC	15	123
U201	VCC	16	124
U201	VCC	17	125
U201	VCC	18	126
U201	VCC	19	127
U201	VCC	20	128
U201	VCC	21	129
U201	VCC	22	130
U201	VCC	23	131
U201	VCC	24	132
U201	VCC	25	133
U201	VCC	26	134
U201	VCC	27	135
U201	VCC	28	136
U201	VCC	29	137
U201	VCC	30	138
U201	VCC	31	139
U201	VCC	32	140
U201	VCC	33	141
U201	VCC	34	142
U201	VCC	35	143
U201	VCC	36	144
U201	VCC	37	145
U201	VCC	38	146
U201	VCC	39	147
U201	VCC	40	148
U201	VCC	41	149
U201	VCC	42	150
U201	VCC	43	151
U201	VCC	44	152
U201	VCC	45	153
U201	VCC	46	154
U201	VCC	47	155
U201	VCC	48	156
U201	VCC	49	157
U201	VCC	50	158
U201	VCC	51	159
U201	VCC	52	160
U201	VCC	53	161
U201	VCC	54	162
U201	VCC	55	163
U201	VCC	56	164
U201	VCC	57	165
U201	VCC	58	166
U201	VCC	59	167
U201	VCC	60	168
U201	VCC	61	169
U201	VCC	62	170
U201	VCC	63	171
U201	VCC	64	172
U201	VCC	65	173
U201	VCC	66	174
U201	VCC	67	175
U201	VCC	68	176
U201	VCC	69	177
U201	VCC	70	178
U201	VCC	71	179
U201	VCC	72	180
U201	VCC	73	181
U201	VCC	74	182
U201	VCC	75	183
U201	VCC	76	184
U201	VCC	77	185
U201	VCC	78	186
U201	VCC	79	187
U201	VCC	80	188
U201	VCC	81	189
U201	VCC	82	190
U201	VCC	83	191
U201	VCC	84	192
U201	VCC	85	193
U201	VCC	86	194
U201	VCC	87	195
U201	VCC	88	196
U201	VCC	89	197
U201	VCC	90	198
U201	VCC	91	199
U201	VCC	92	200
U201	VCC	93	201
U201	VCC	94	202
U201	VCC	95	203
U201	VCC	96	204
U201	VCC	97	205
U201	VCC	98	206
U201	VCC	99	207
U201	VCC	100	208
U201	VCC	101	209
U201	VCC	102	210
U201	VCC	103	211
U201	VCC	104	212
U201	VCC	105	213
U201	VCC	106	214
U201	VCC	107	215
U201	VCC	108	216
U201	VCC	109	217
U201	VCC	110	218
U201	VCC	111	219
U201	VCC	112	220
U201	VCC	113	221
U201	VCC	114	222
U201	VCC	115	223
U201	VCC	116	224
U201	VCC	117	225
U201	VCC	118	226
U201	VCC	119	227
U201	VCC	120	228
U201	VCC	121	229
U201	VCC	122	230
U201	VCC	123	231
U201	VCC	124	232
U201	VCC	125	233
U201	VCC	126	234
U201	VCC	127	235
U201	VCC	128	236
U201	VCC	129	237
U201	VCC	130	238
U201	VCC	131	239
U201	VCC	132	240
U201	VCC	133	241
U201	VCC	134	242
U201	VCC	135	243
U201	VCC	136	244
U201	VCC	137	245
U201	VCC	138	246
U201	VCC	139	247
U201	VCC	140	248
U201	VCC	141	249
U201	VCC	142	250
U201	VCC	143	251
U201	VCC	144	252
U201	VCC	145	253
U201	VCC	146	254
U201	VCC	147	255
U201	VCC	148	256
U201	VCC	149	257
U201	VCC	150	258
U201	VCC	151	259
U201	VCC	152	260
U201	VCC	153	261
U201	VCC	154	262
U201	VCC	155	263
U201	VCC	156	264
U201	VCC	157	265
U201	VCC	158	266
U201	VCC	159	267
U201	VCC	160	268
U201	VCC	161	269
U201	VCC	162	270
U201	VCC	163	271
U201	VCC	164	272
U201	VCC	165	273
U201	VCC	166	274
U201	VCC	167	275
U201	VCC	168	276
U201	VCC	169	277
U201	VCC	170	278
U201	VCC	171	279
U201	VCC	172	280
U201	VCC	173	281
U201	VCC	174	282
U201	VCC	175	283
U201	VCC	176	284
U201	VCC	177	285
U201	VCC	178	286
U201	VCC	179	287
U201	VCC	180	288
U201	VCC	181	289
U201	VCC	182	290
U201	VCC	183	291
U201	VCC	184	292
U201	VCC	185	293
U201	VCC	186	294
U201	VCC	187	295
U201	VCC	188	296
U201	VCC	189	297
U201	VCC	190	298
U201	VCC	191	299
U201	VCC	192	300
U201	VCC	193	301
U201	VCC	194	302
U201	VCC	195	303
U201	VCC	196	304
U201	VCC	197	305
U201	VCC	198	306
U201	VCC	199	307
U201	VCC	200	308
U201	VCC	201	309
U201	VCC	202	310
U201	VCC	203	311
U201	VCC	204	312
U201	VCC	205	313
U201	VCC	206	314
U201	VCC	207	315
U201	VCC	208	316
U201	VCC	209	317
U201	VCC	210	318
U201	VCC	211	319
U201	VCC	212	320
U201	VCC	213	321
U201	VCC	214	322
U201	VCC	215	323
U201	VCC	216	324
U201	VCC	217	325
U201	VCC	218	326
U201	VCC	219	327
U201	VCC	220	328
U201	VCC	221	329
U201	VCC	222	330
U201	VCC	223	331
U201	VCC	224	332
U201	VCC	225	333
U201	VCC	226	334
U201	VCC	227	335
U201	VCC	228	336
U201	VCC	229	337
U201	VCC	230	338
U201	VCC	231	339
U201	VCC	232	340
U201	VCC	233	341
U201	VCC	234	342
U201	VCC	235	343
U201	VCC	236	344
U201	VCC	237	345
U201	VCC	238	346
U201	VCC	239	347
U201	VCC	240	348
U201	VCC	241	349
U201	VCC	242	350
U201	VCC	243	351
U201	VCC	244	352
U201	VCC	245	353
U201	VCC	246	354
U201	VCC	247	355
U201	VCC	248	356
U201	VCC	249	357
U201	VCC	250	358
U201	VCC	251	359
U201	VCC	252	360
U201	VCC	253	361
U201	VCC	254	362
U201	VCC	255	363
U201	VCC	256	364
U201	VCC	257	365
U201	VCC	258	366
U201	VCC	259	367
U201	VCC	260	368
U201	VCC	261	369
U201	VCC	262	370
U201	VCC	263	371
U201	VCC	264	372
U201	VCC	265	373
U201	VCC	266	374
U201	VCC	267	375
U201	VCC	268	376
U201	VCC	269	377
U201	VCC	270	378
U201	VCC	271	379
U201	VCC	272	380
U201	VCC	273	381
U201	VCC	274	382
U201	VCC	275	383
U201	VCC	276	384
U201	VCC	277	385
U201	VCC	278	386
U201	VCC	279	387
U201	VCC	280	388
U201	VCC	281	389
U201	VCC	282	390
U201	VCC	283	391
U201	VCC	284	392
U201	VCC	285	393
U201	VCC	286	394
U201	VCC	287	395
U201	VCC	288	396
U201	VCC	289	397
U201	VCC	290	398
U201	VCC	291	399
U201	VCC	292	400
U201	VCC	293	401
U201	VCC	294	402
U201	VCC	295	403
U201	VCC	296	404
U201	VCC	297	405
U201	VCC	298	406
U201	VCC	299	407
U201	VCC	300	408
U201	VCC	301	409
U201	VCC	302	410
U201	VCC	303	411
U201	VCC	304	412
U201	VCC	305	413
U201	VCC	306	414
U201	VCC	307	415
U201	VCC	308	416
U201	VCC	309	417
U201	VCC	310	418
U201	VCC	311	419
U201	VCC	312	420
U201	VCC	313	421
U201	VCC	314	422
U201	VCC	315	423
U201	VCC	316	424
U201	VCC	317	425
U201	VCC	318	426
U201	VCC	319	427
U201	VCC	320	428
U201	VCC	321	429
U201	VCC	322	430
U201	VCC	323	431
U201	VCC	324	432
U201	VCC	325	433
U201	VCC	326	434
U201	VCC	327	435
U201	VCC	328	436
U201	VCC	329	437
U201	VCC	330	438
U201	VCC	331	439
U201	VCC	332	440
U201			

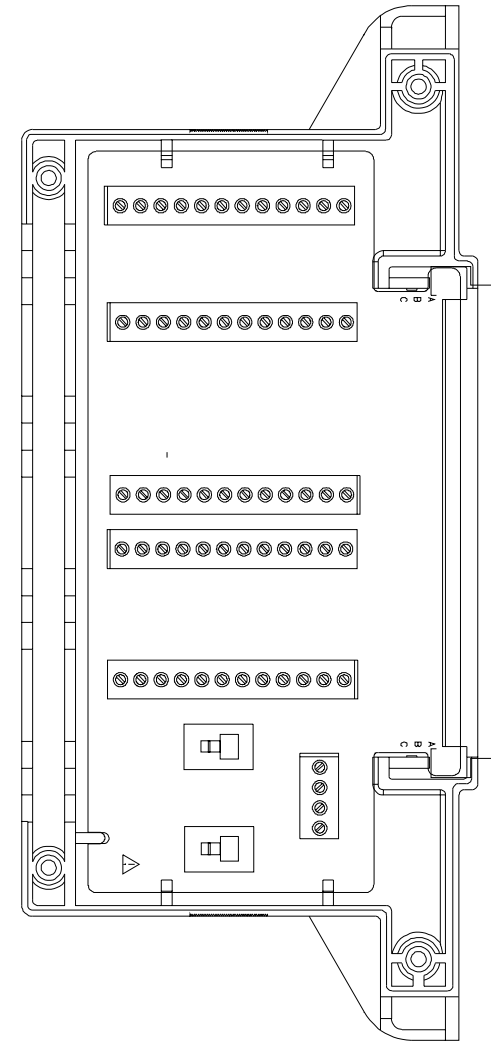
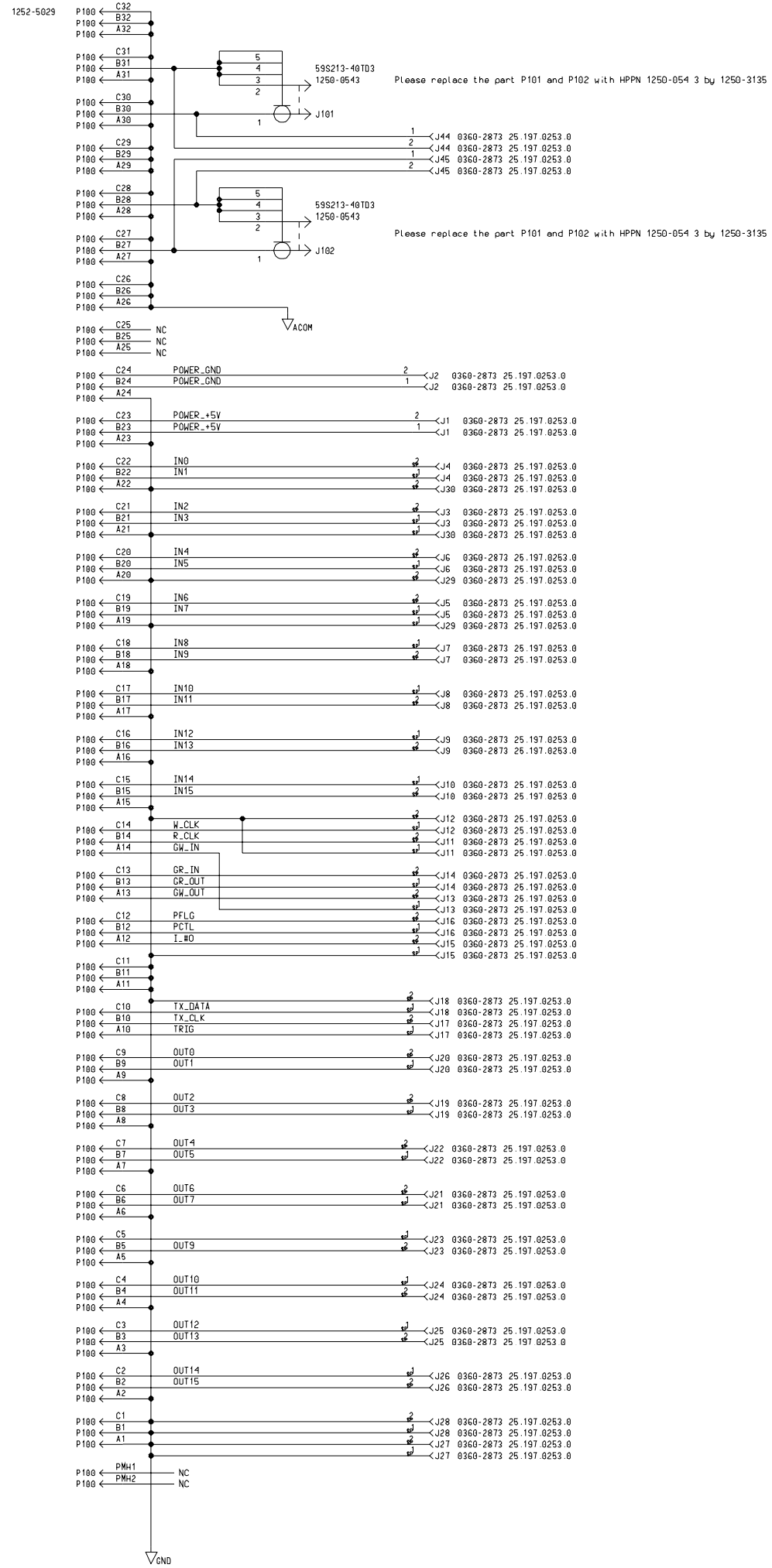


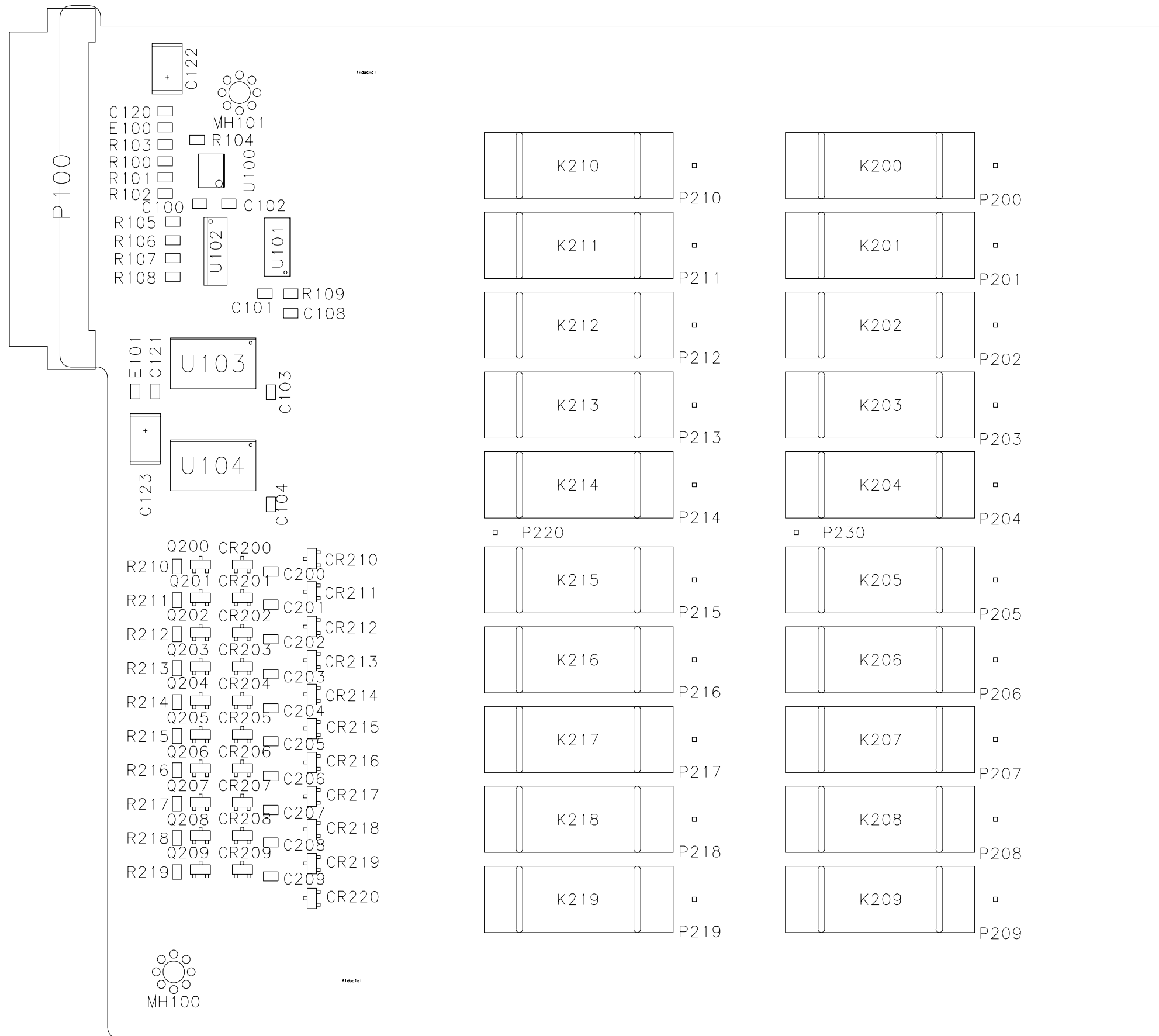
REF DES	SUPPLY	PIN	NUMBER
U301	+5A	3	16
U301	+5C	16	1
U301	-5C	12	1
U301	AGND1	12	2
U301	DDCM3	2	1
U302	+5A	3	16
U302	+5C	16	1
U302	-5C	12	1
U302	AGND0	12	2
U302	DDCM3	2	1
U303	+5C	7	4
U303	-5C	4	7
U303	AGND0	7	4
U303	-5C	4	7
U306	+5C	8	7
U306	-5C	7	8
U307	+5C	6	7
U307	+5C	7	6

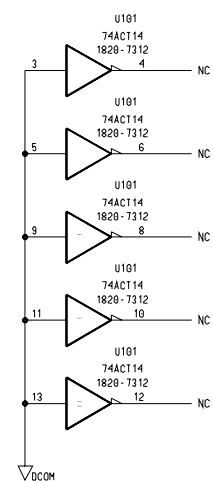
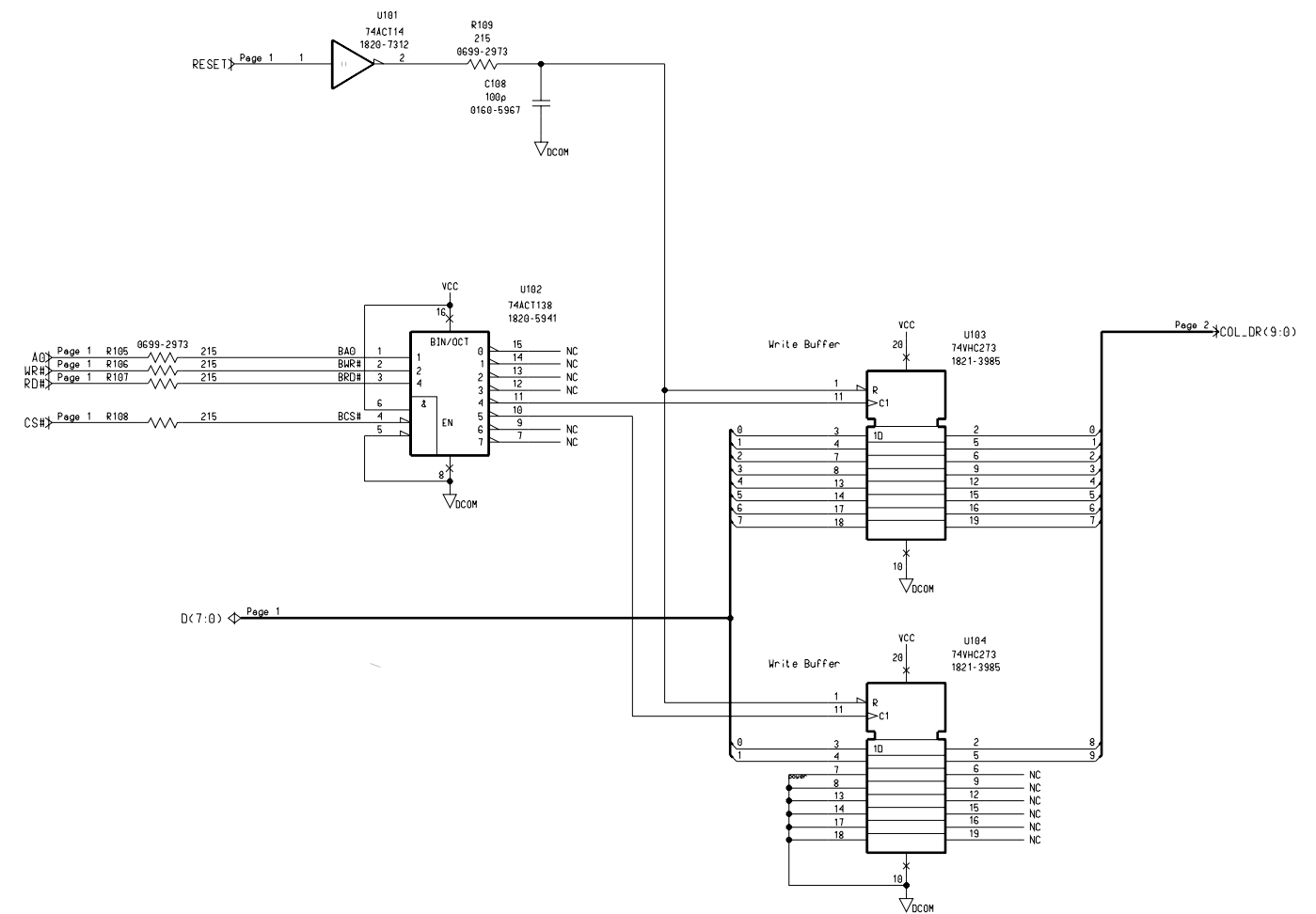
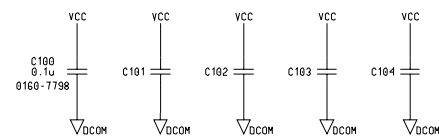
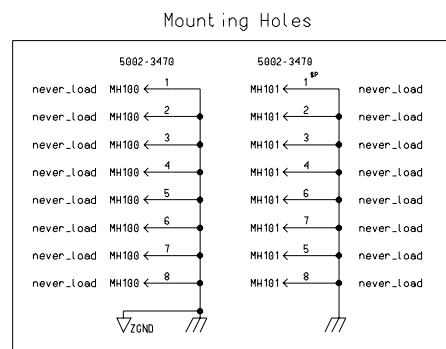
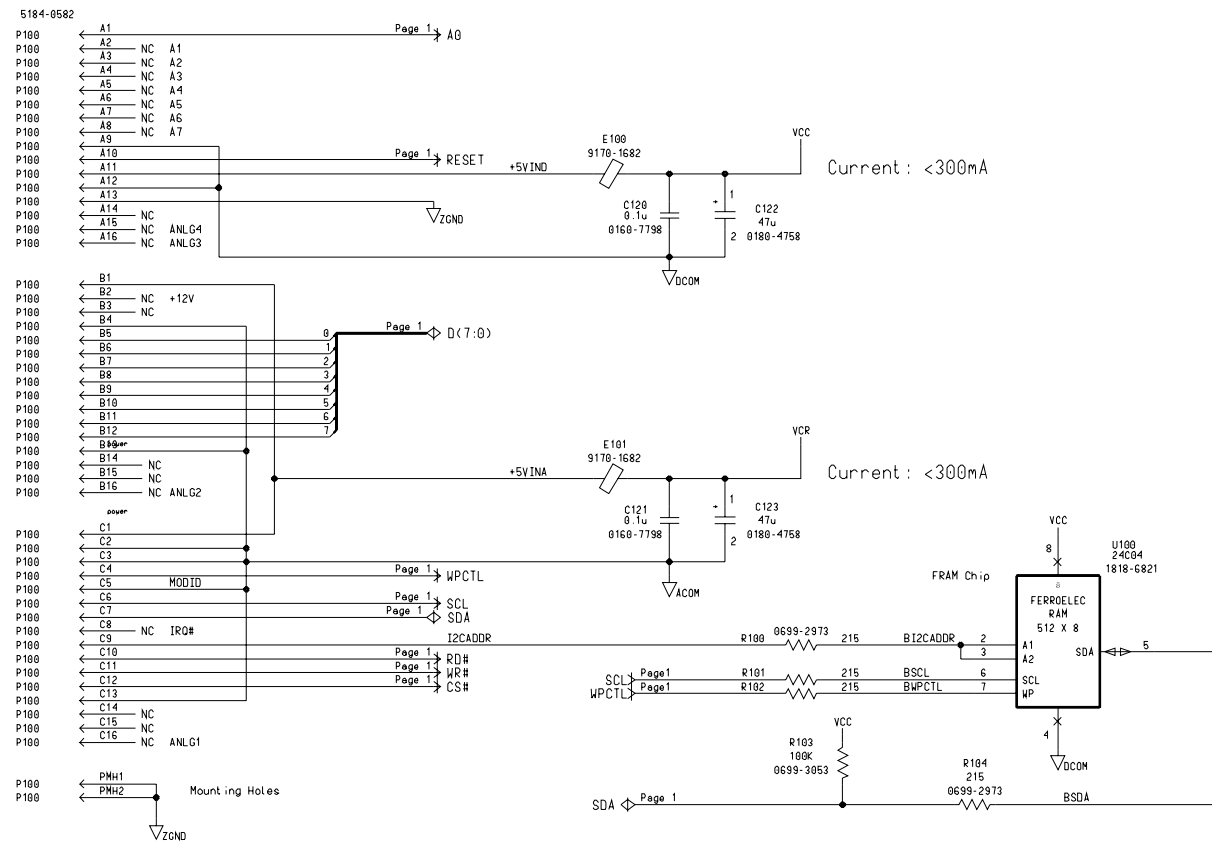


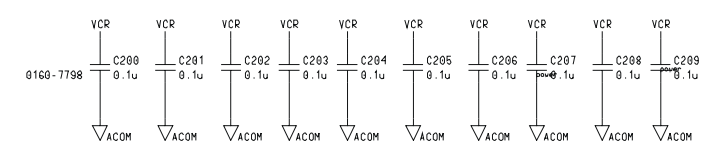
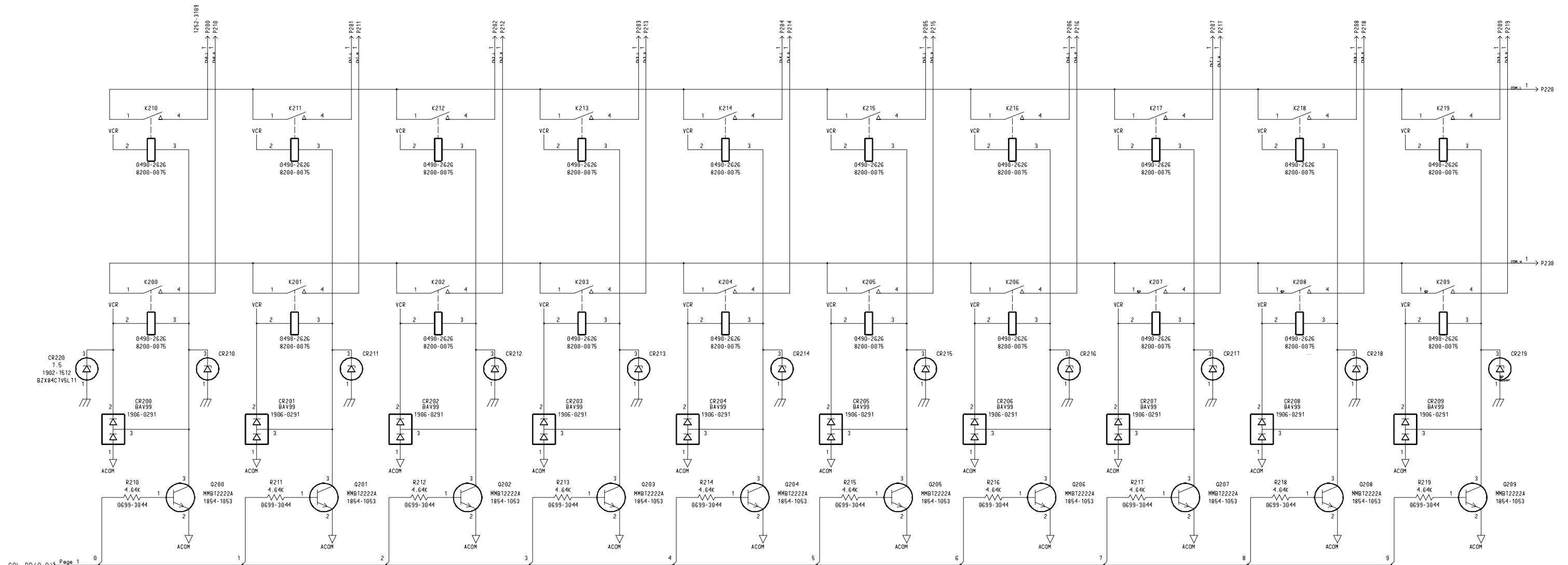


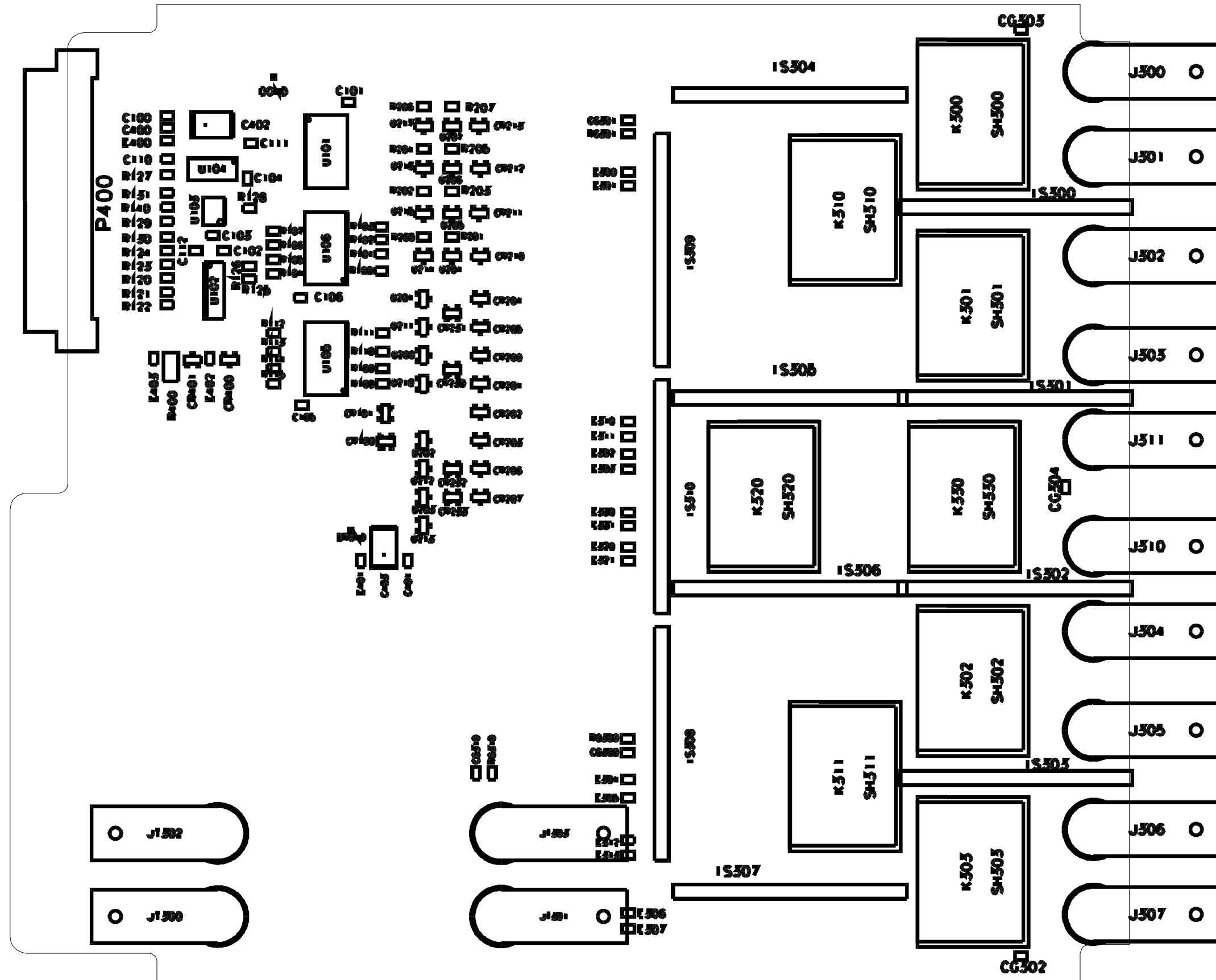


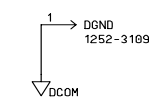
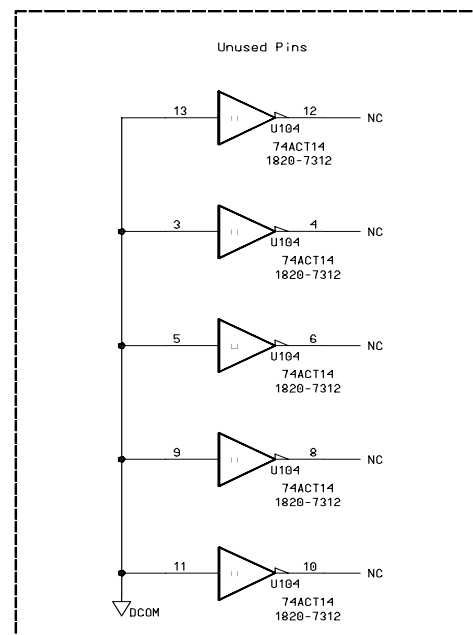
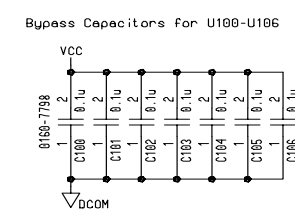
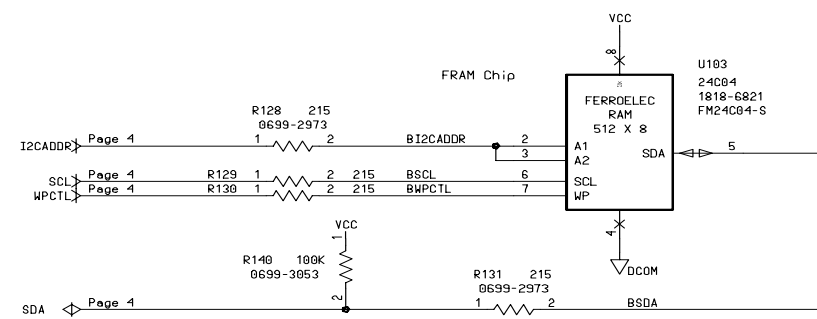
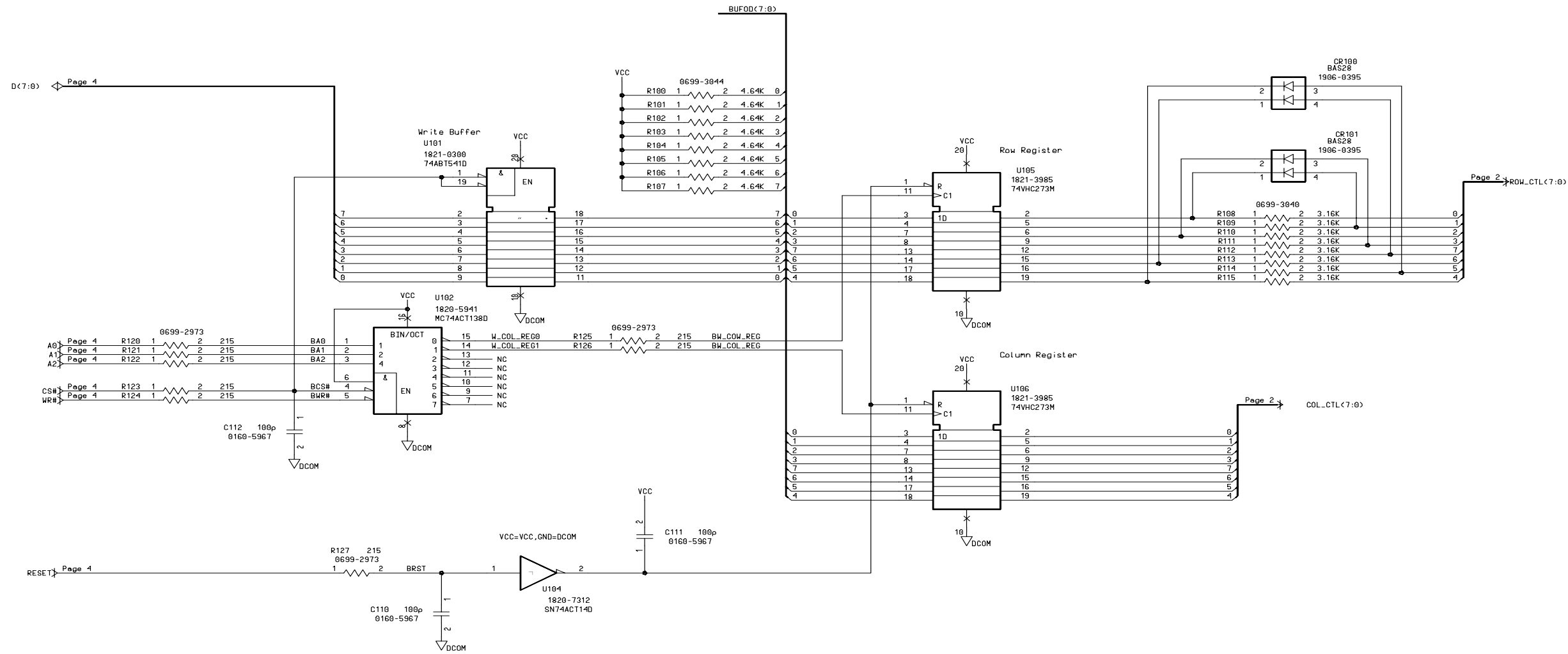


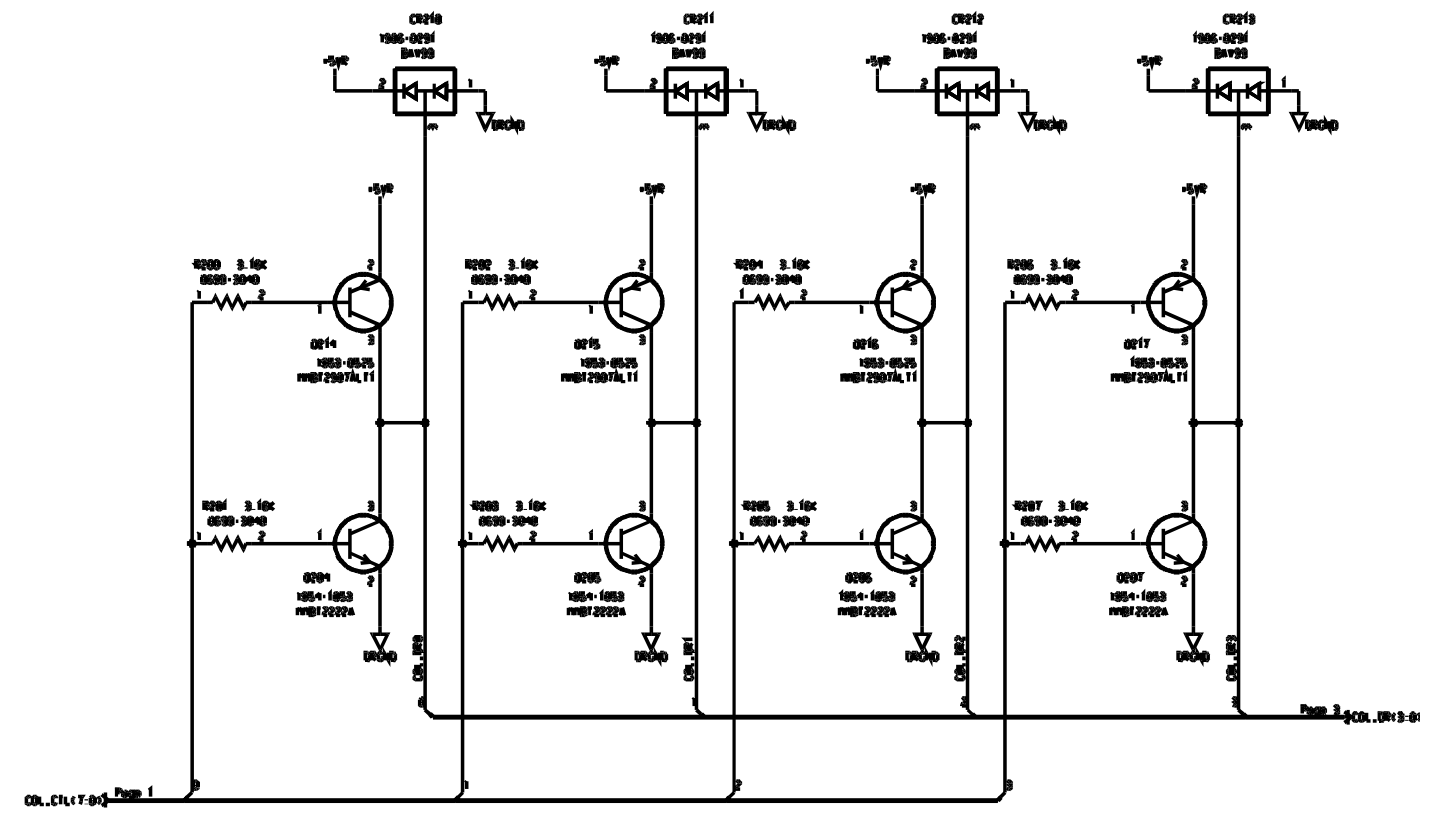
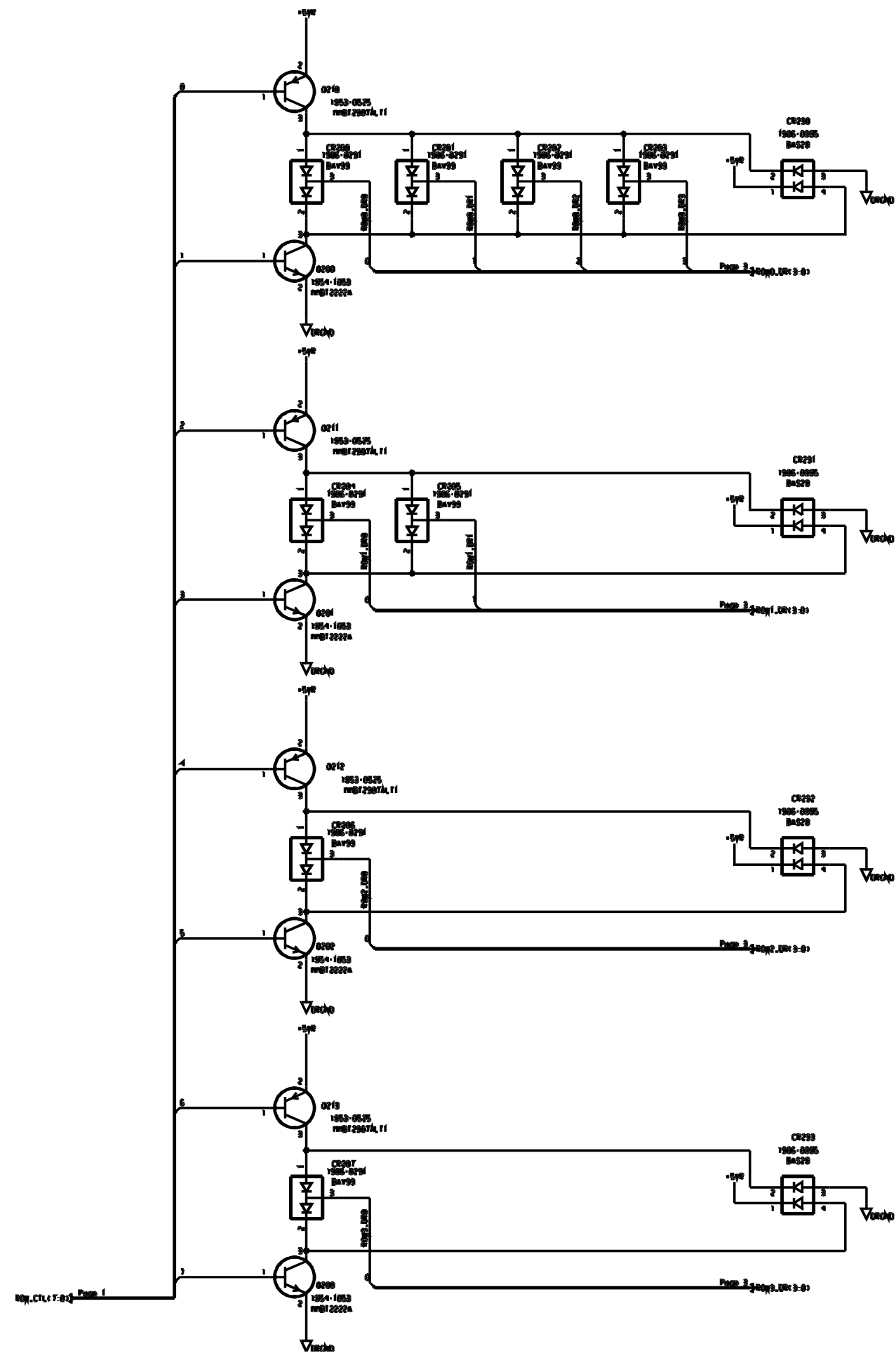




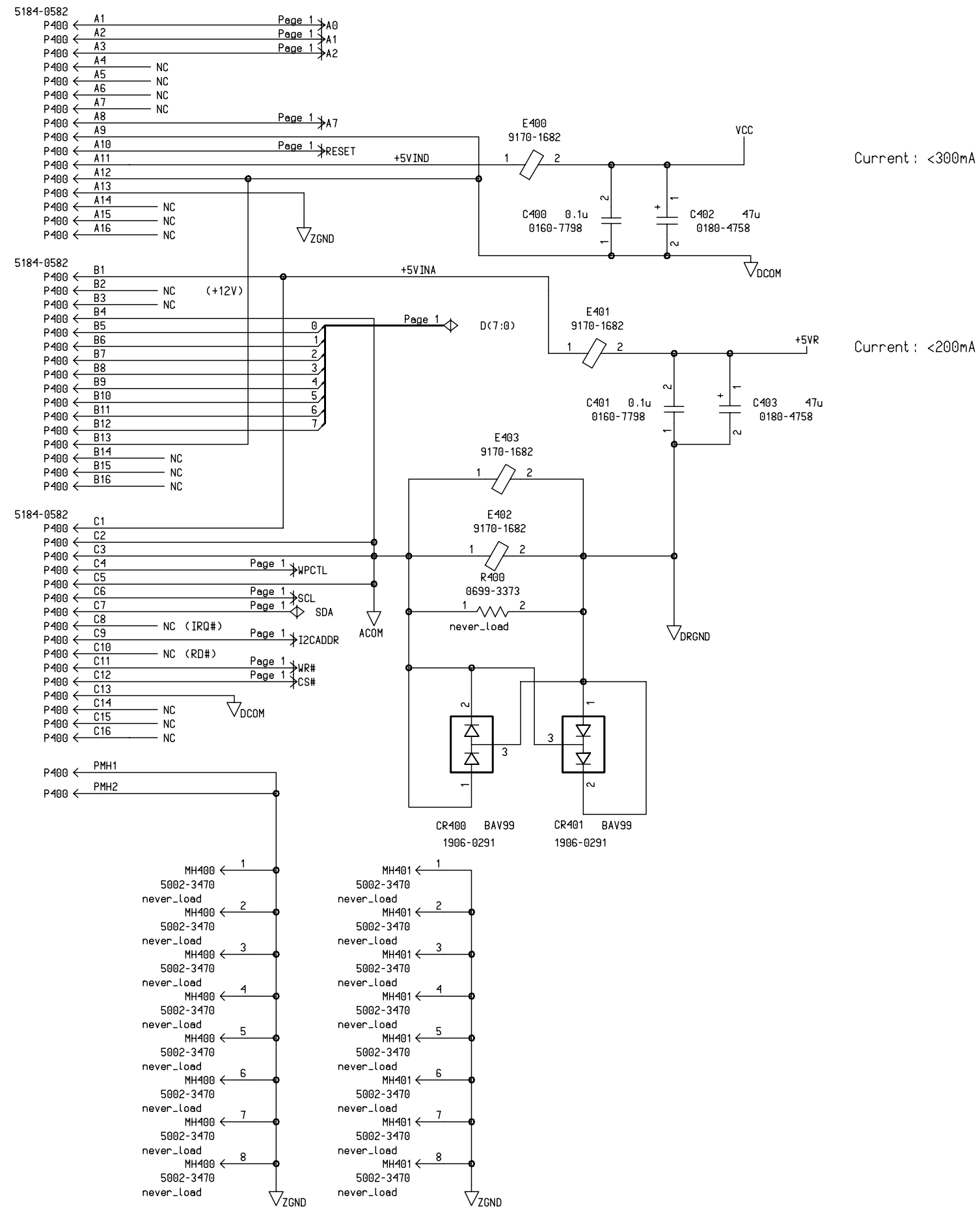


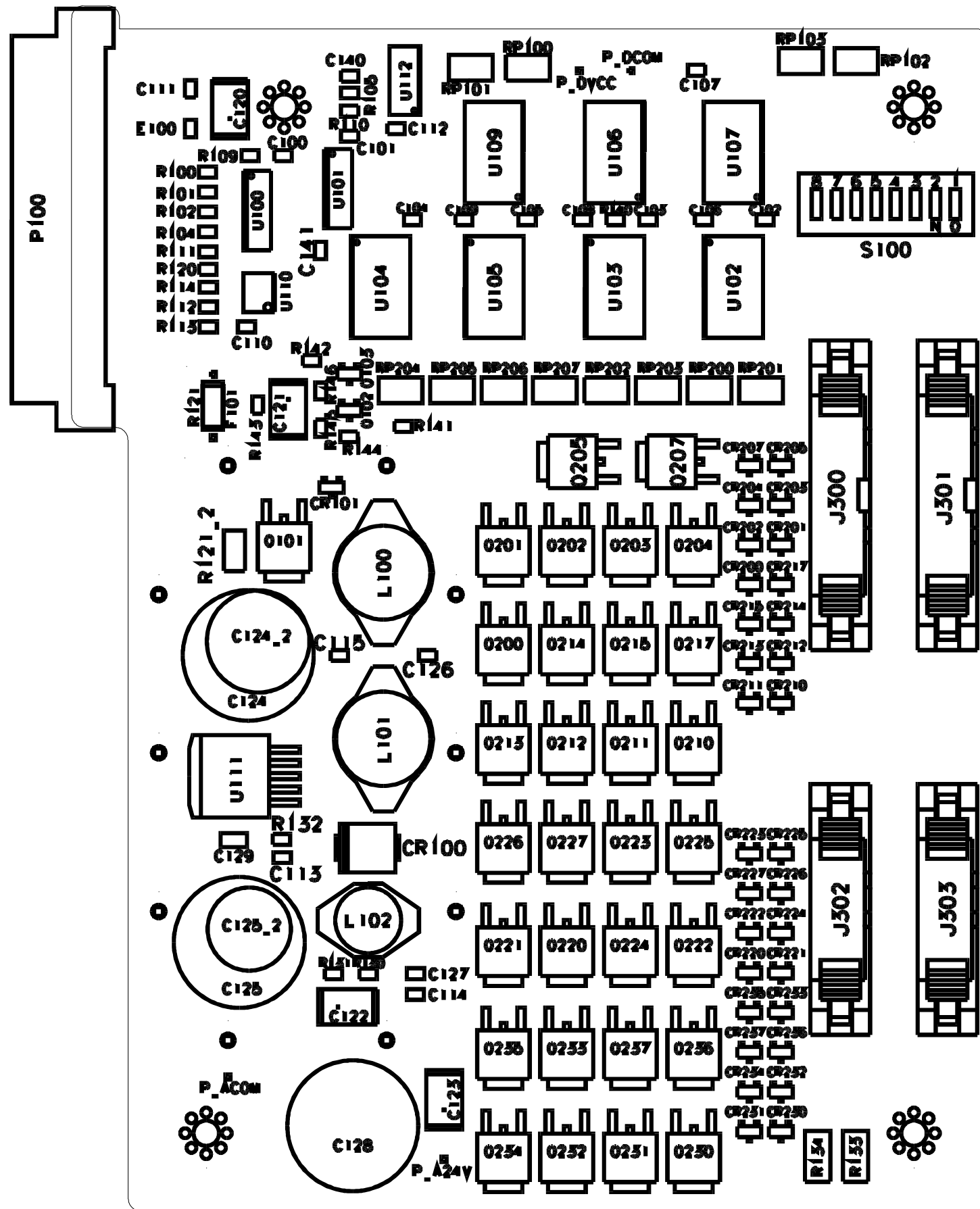


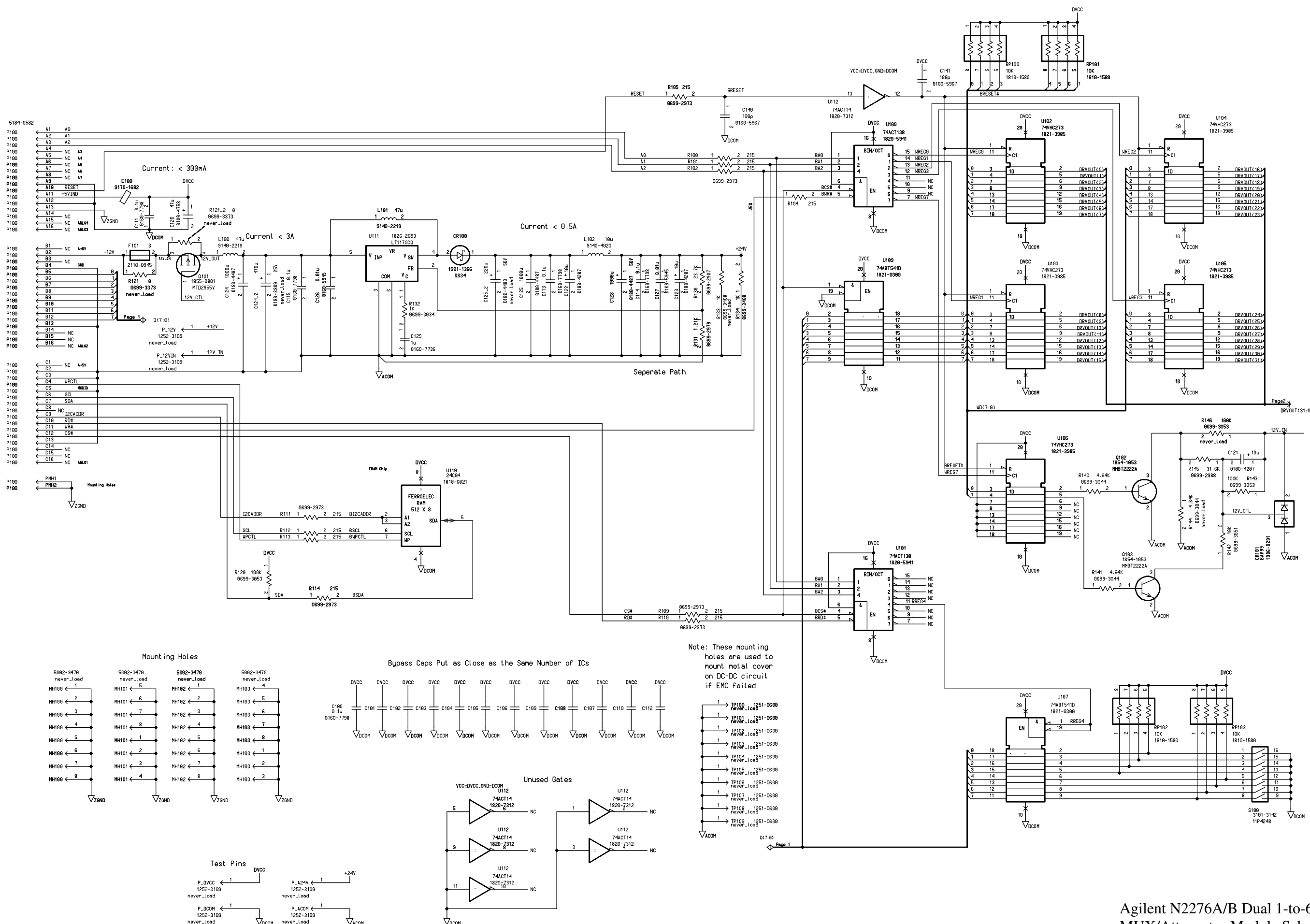




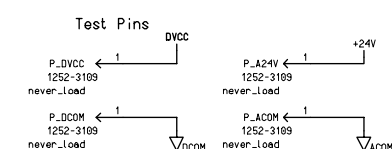
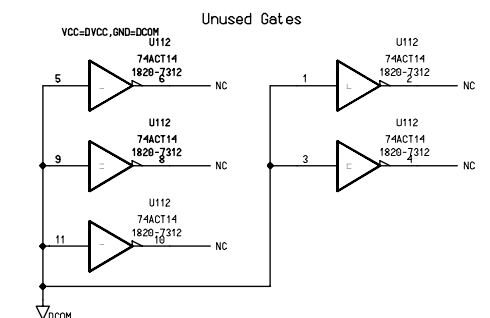
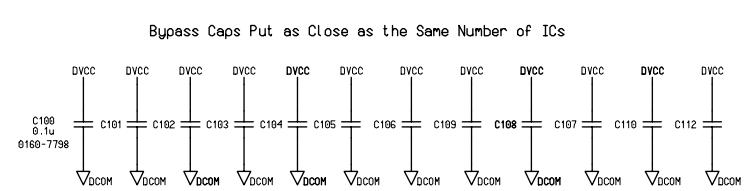
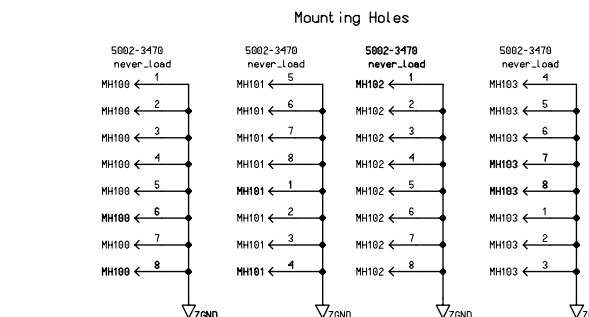
Backplane Connector



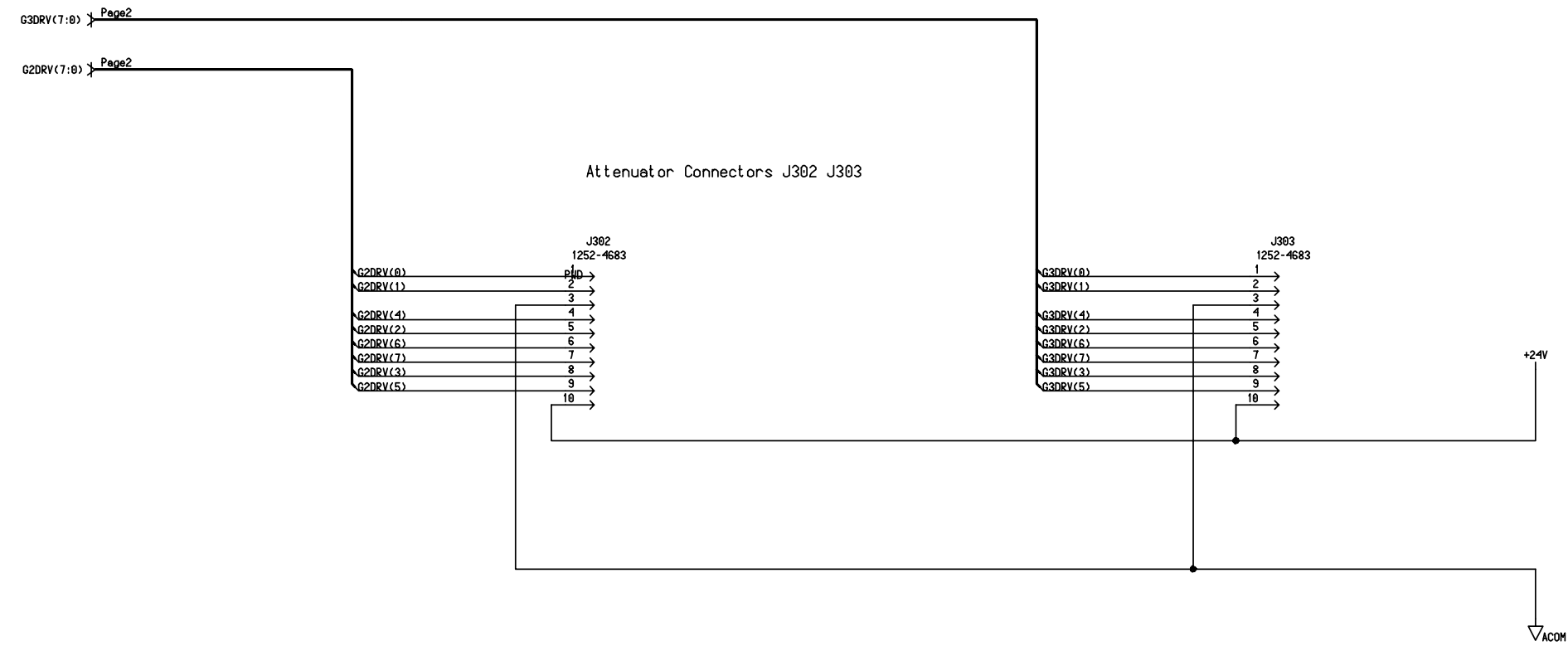
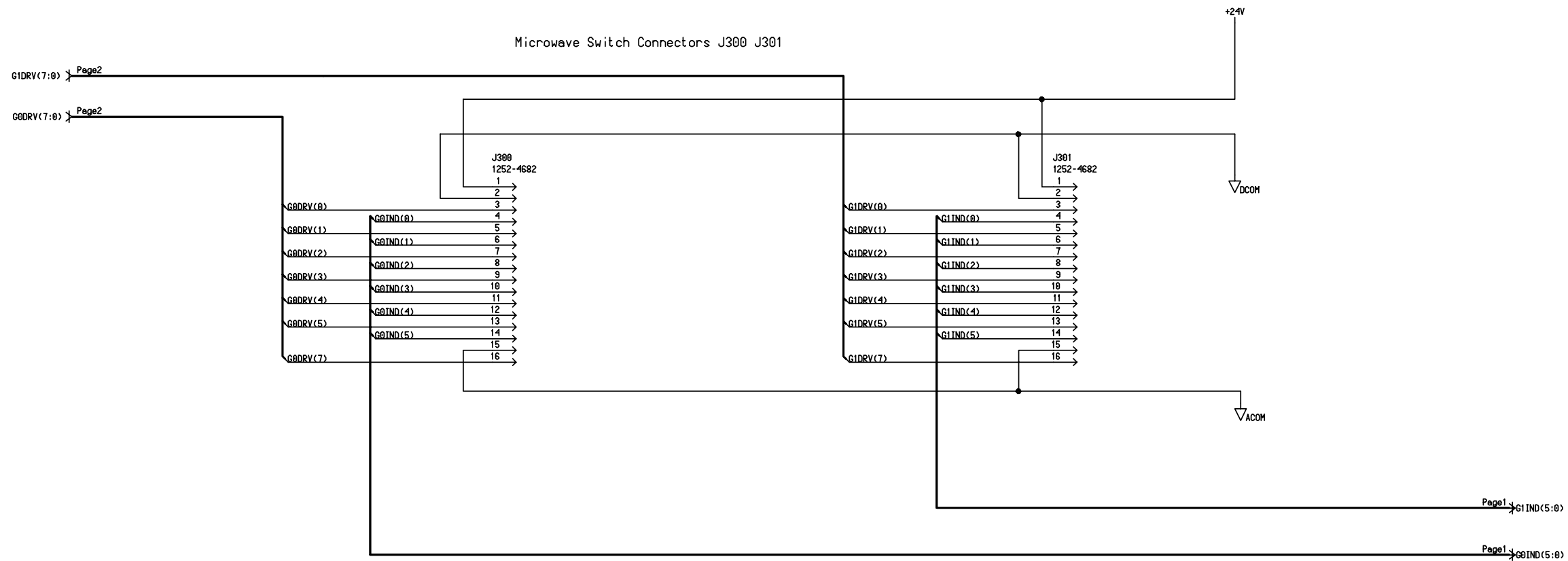


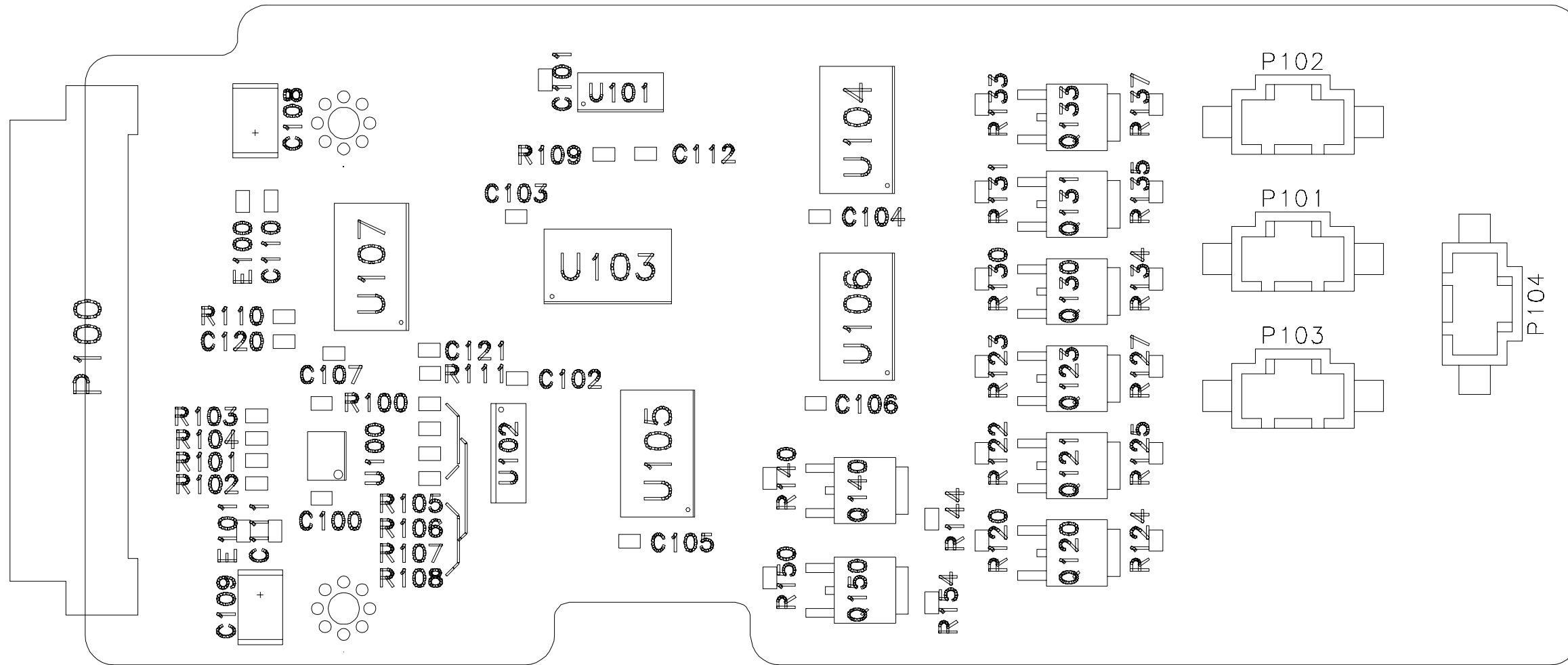


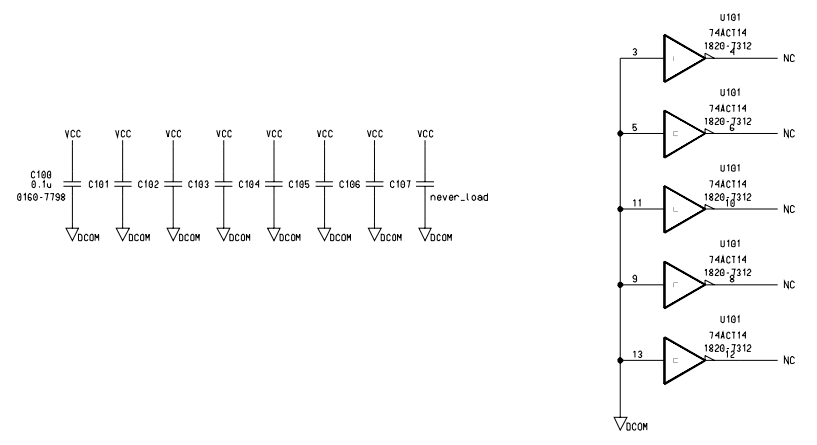
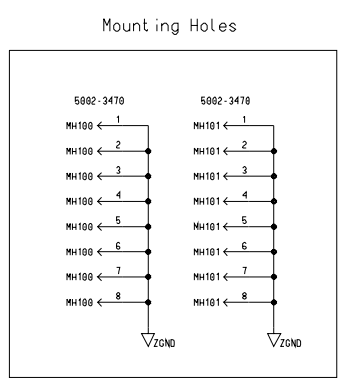
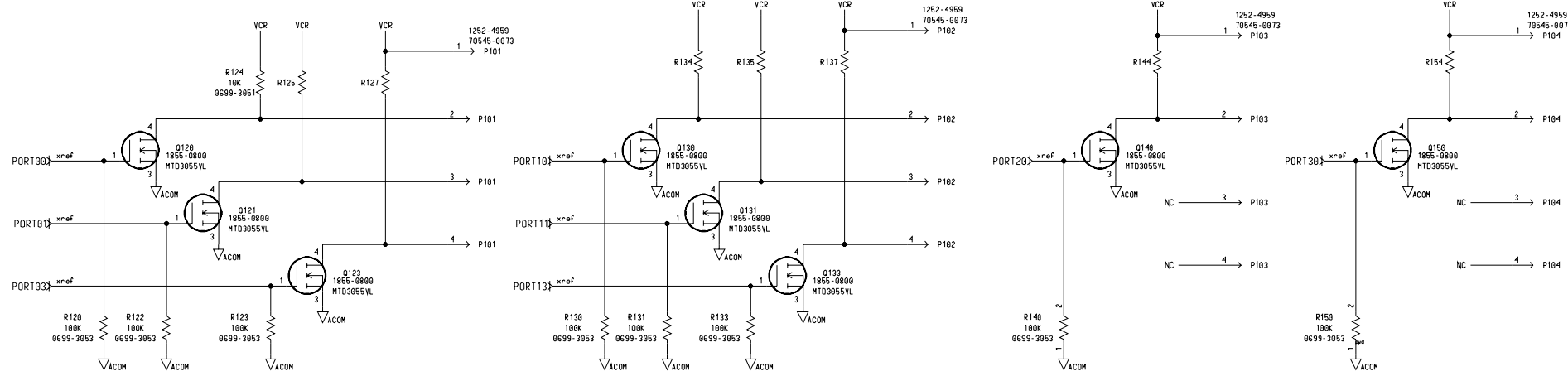
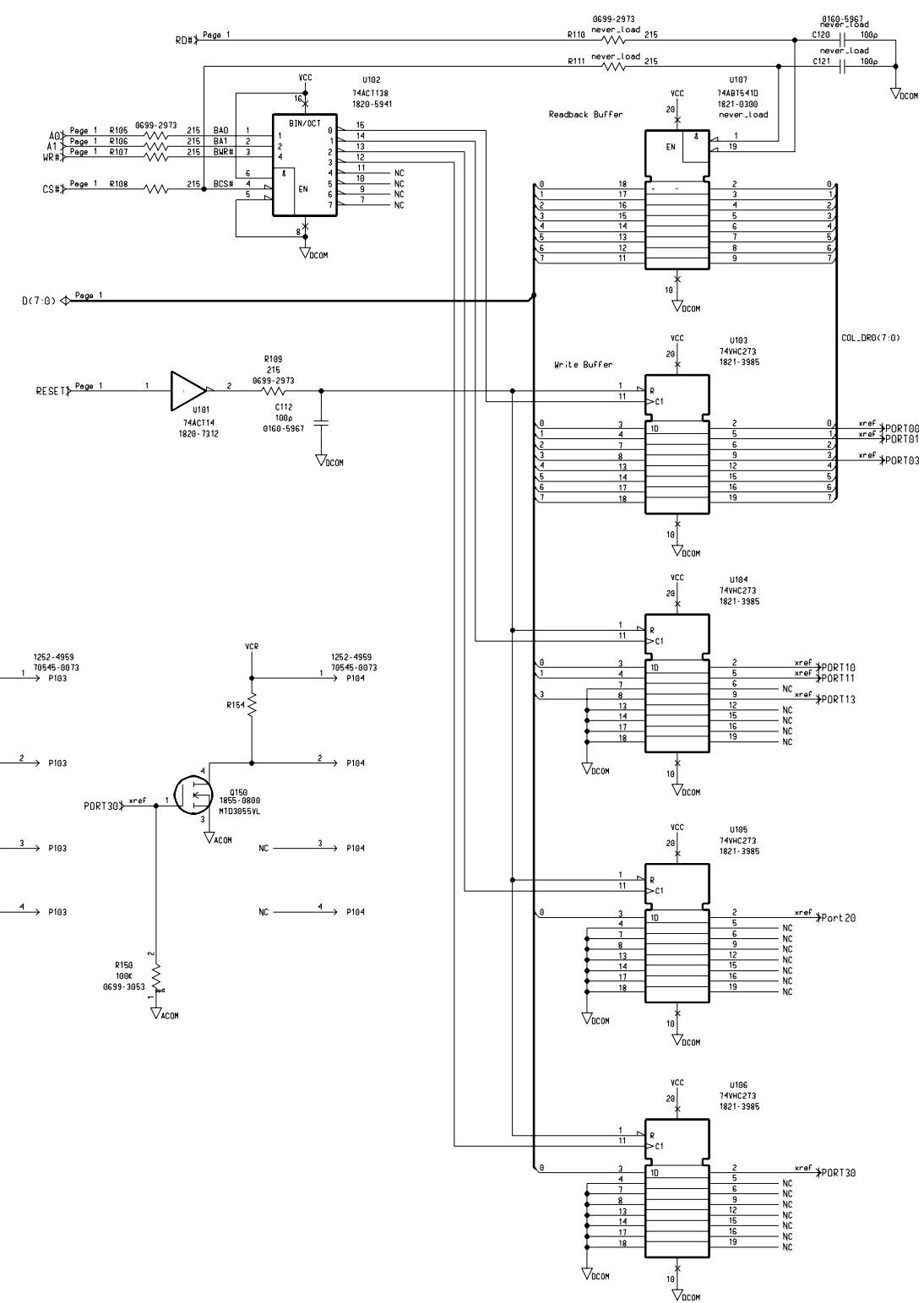
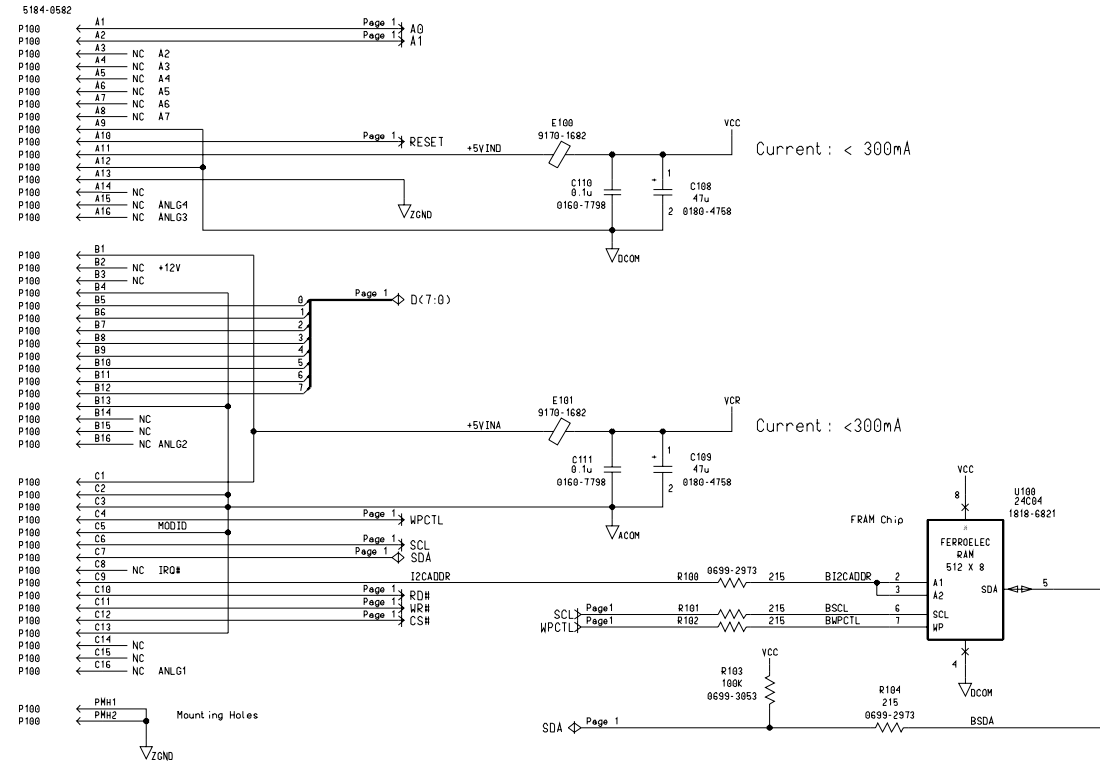
5184-9582
P100 A1 A0
P100 A2 A1
P100 A3 A2
P100 A4 A3
P100 A5 A4
P100 A6 A5
P100 A7 A6
P100 A8 A7
P100 A9 A8
P100 A10 RESET
P100 A11 +5VIND
P100 A12
P100 A13
P100 A14 NC
P100 A15 NC
P100 A16 NC
P100 B1 NC
P100 B2 NC
P100 B3 DND
P100 B4
P100 B5
P100 B6
P100 B7
P100 B8
P100 B9
P100 B10
P100 B11
P100 B12
P100 B13
P100 B14 NC
P100 B15 NC
P100 B16 NC
P100 C1 NC
P100 C2 NC
P100 C3
P100 C4
P100 C5
P100 C6
P100 C7
P100 C8
P100 C9
P100 C10
P100 C11
P100 C12
P100 C13
P100 C14
P100 C15
P100 C16
P100 PH11
P100 PH12

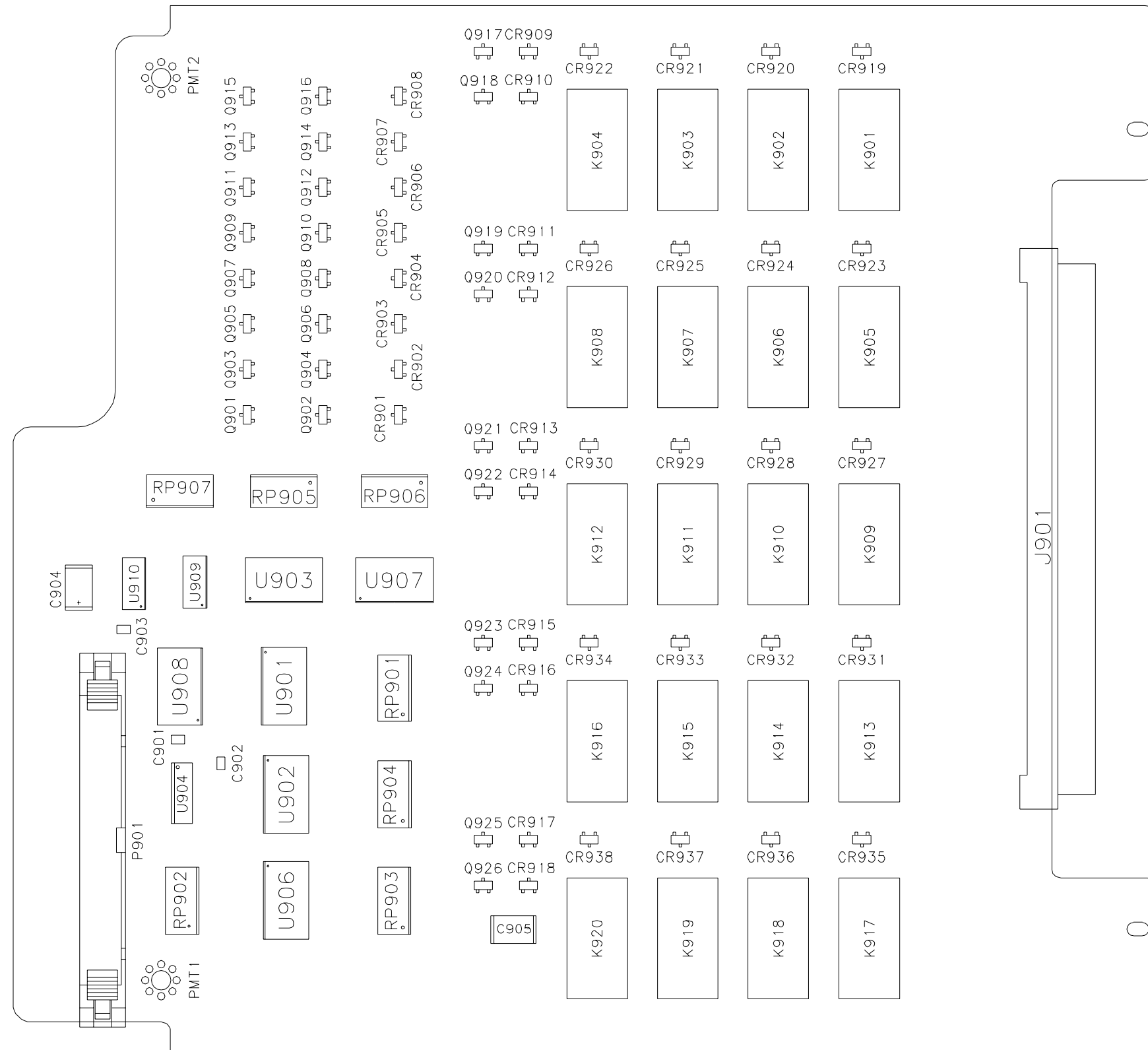


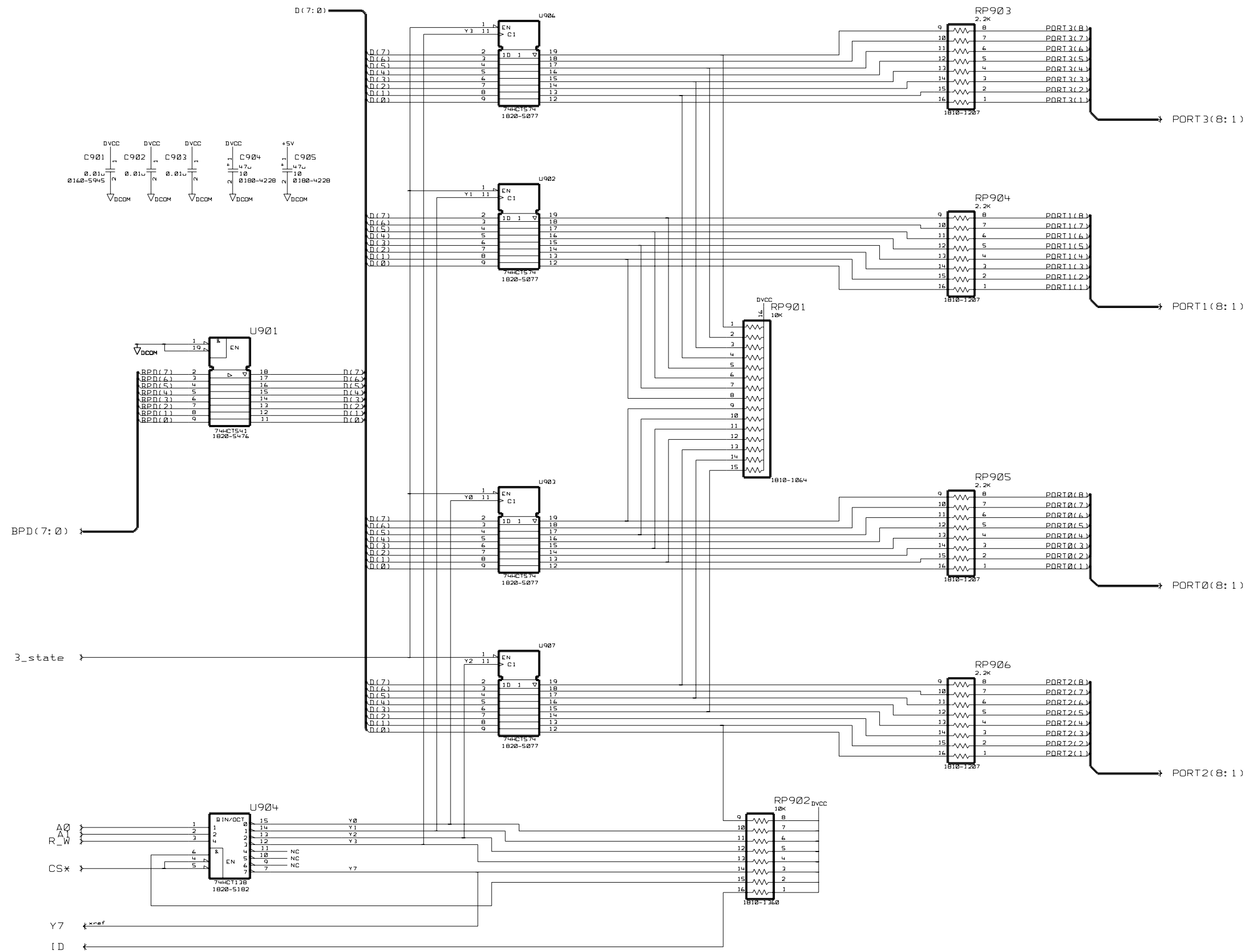


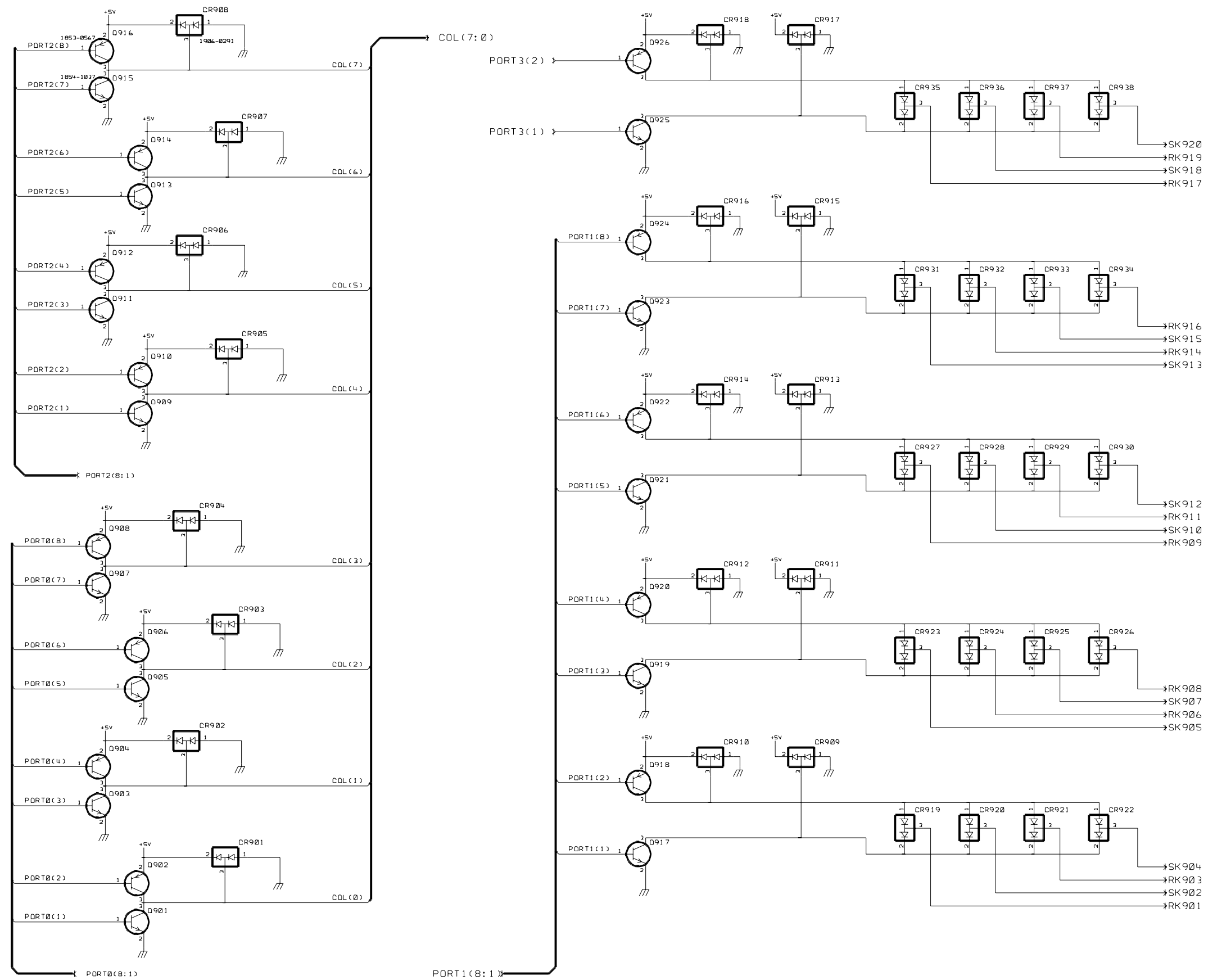


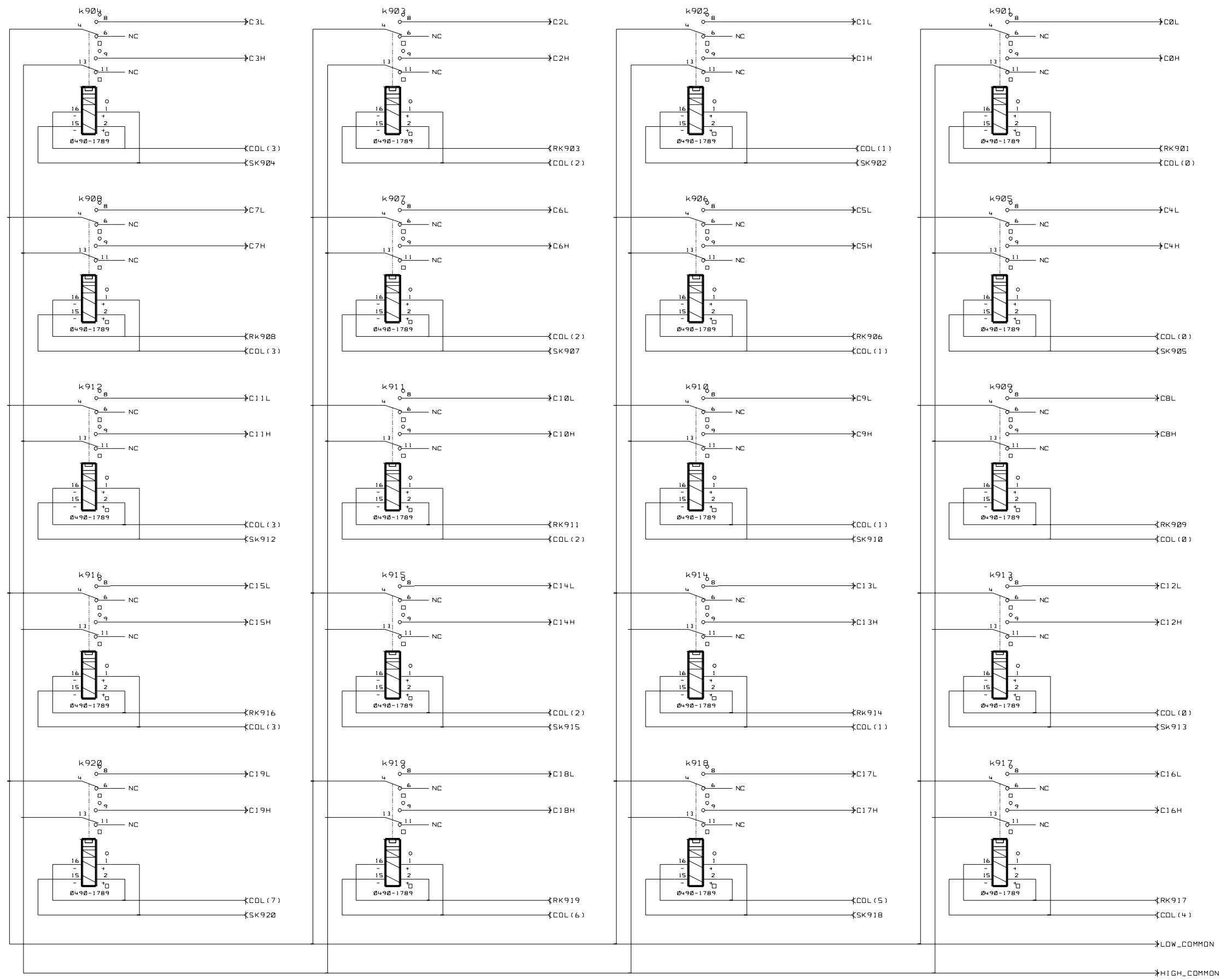


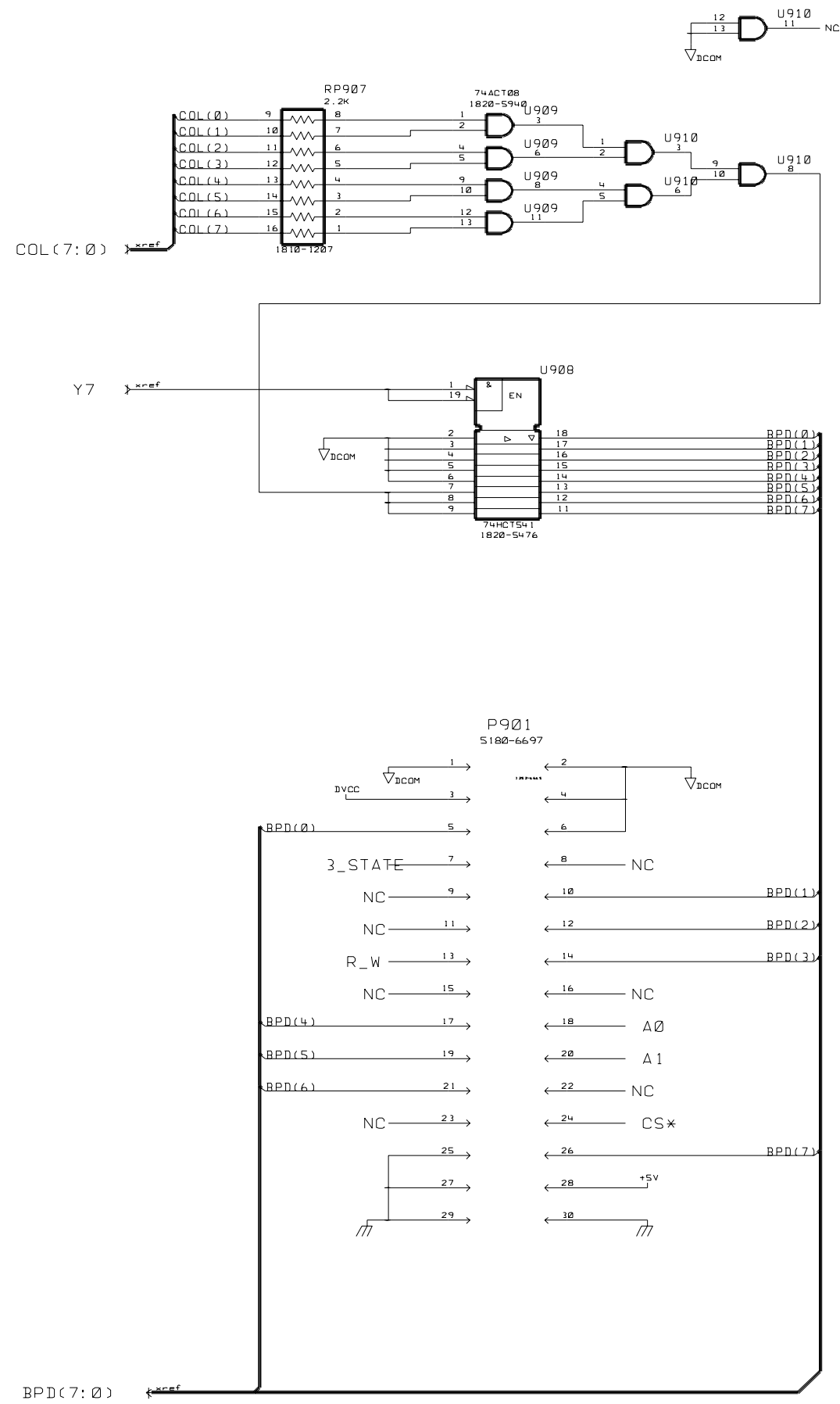




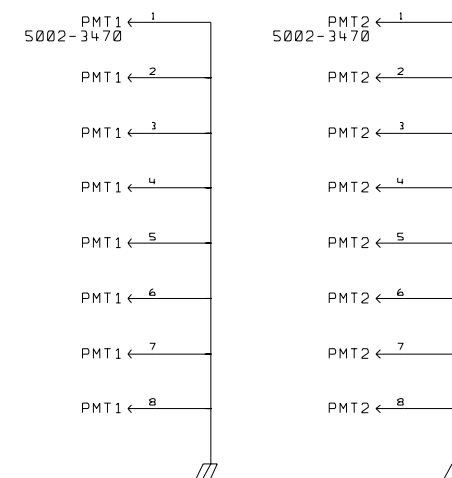


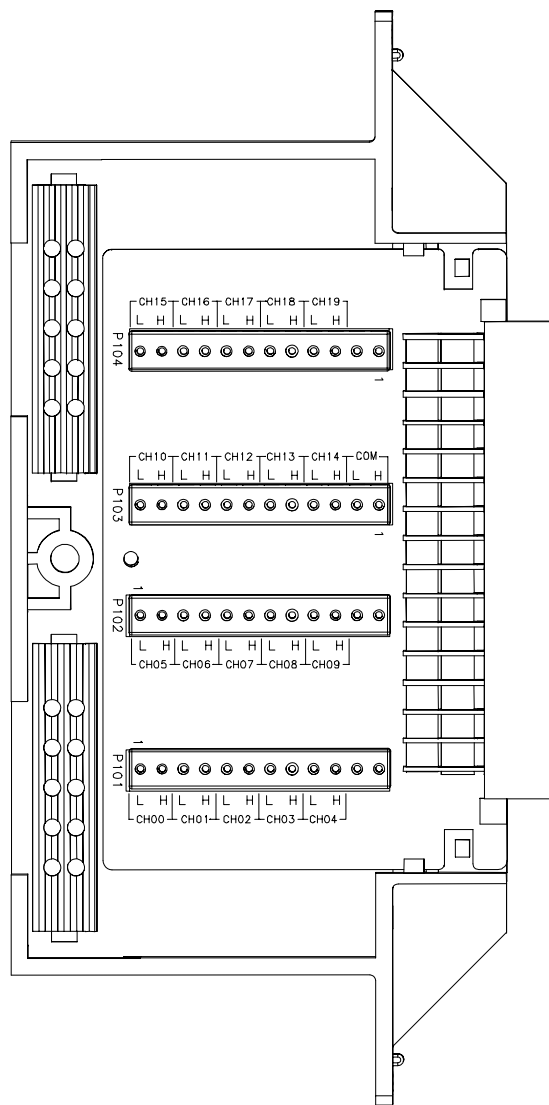






J901 1252-1575			
← A2	C0L	← E2	C1L
← A4	C2L	← E4	C1H
← A6	C3L	← E6	C4L
← A8	C5L	← E8	C4H
← A10	C6L	← E10	C7L
← A12	C8L	← E12	C7H
← A14	C9L	← E14	NC
← A16	LOW_COMMON	← E16	HIGH_COMMON
← A18	C10L	← E18	C11L
← A20	C12L	← E20	C11H
← A22	C13L	← E22	C14L
← A24	C15L	← E24	C14H
← A26	C16L	← E26	C17L
← A28	C18L	← E28	C17H
← A30	C19L	← E30	NC
← A32	NC	← E32	NC





J101 1252-1577

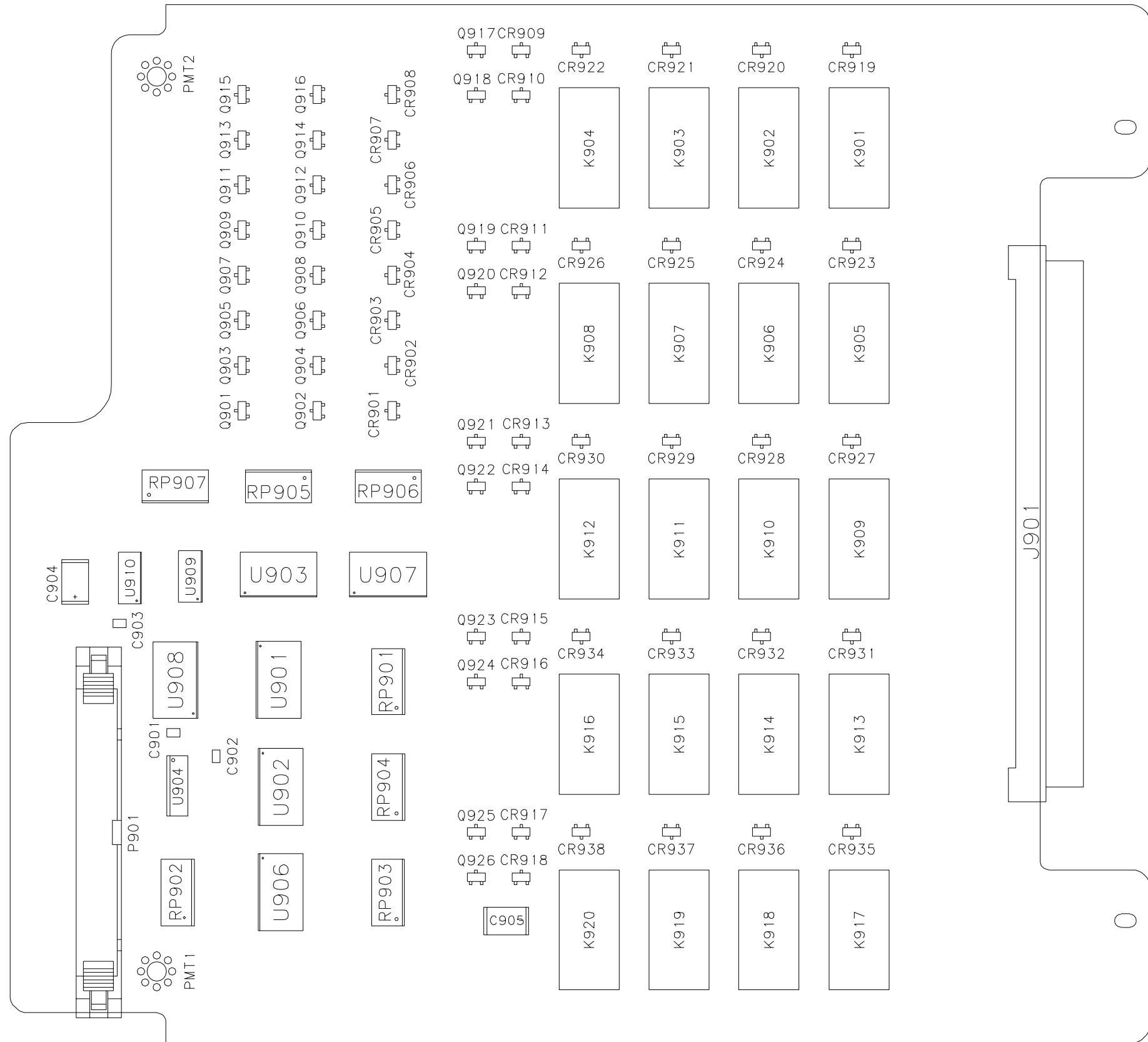
→ A2	C0L	1	← P101
			Ø 360-2624
→ C2	C0H	2	← P101
→ E2	C1L	3	← P101
→ E4	C1H	4	← P101
→ A4	C2L	5	← P101
→ C4	C2H	6	← P101
→ A6	C3L	7	← P101
→ C6	C3H	8	← P101
→ E6	C4L	9	← P101
→ E8	C4H	10	← P101
	NC	11	← P101
	NC	12	← P101

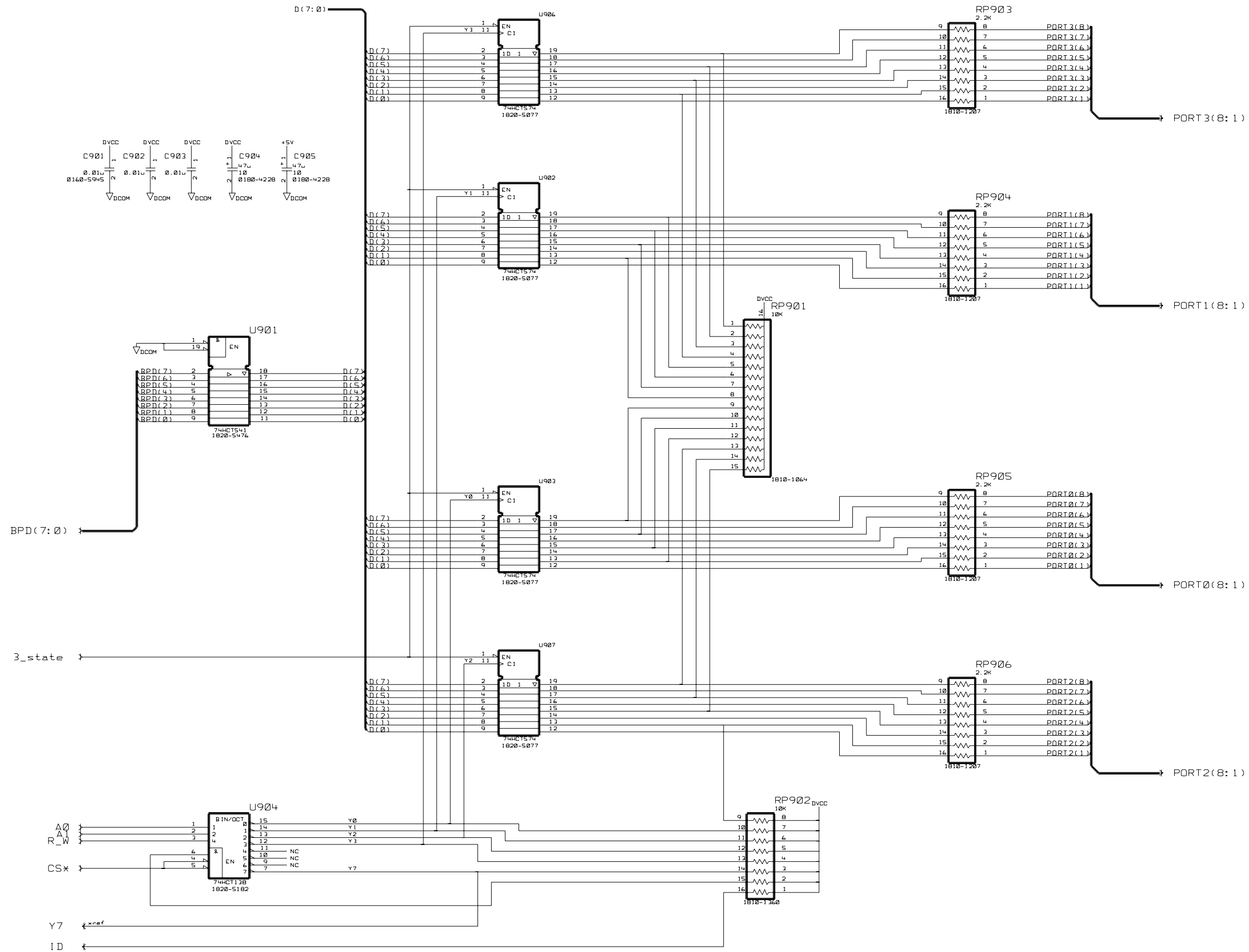
→ A8	C5L	1	← P102
			Ø 360-2624
→ C8	C5H	2	← P102
→ A10	C6L	3	← P102
→ C10	C6H	4	← P102
→ E10	C7L	5	← P102
→ E12	C7H	6	← P102
→ A12	C8L	7	← P102
→ C12	C8H	8	← P102
→ A14	C9L	9	← P102
→ C14	C9H	10	← P102
	NC	11	← P102
	NC	12	← P102

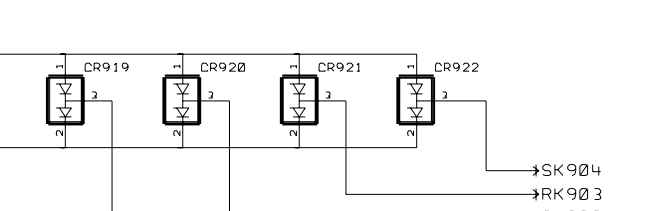
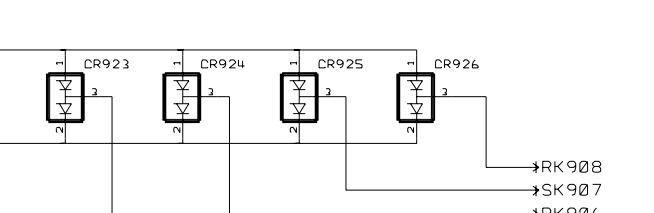
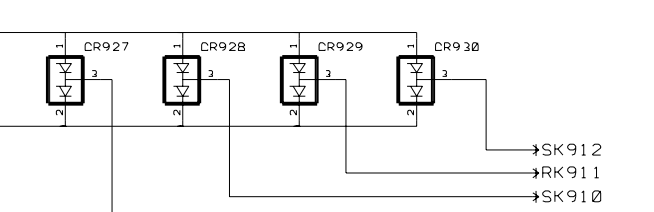
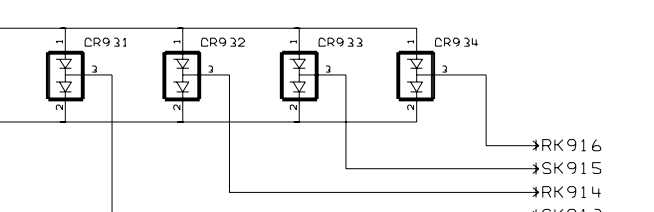
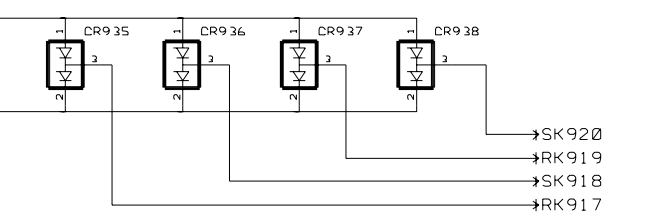
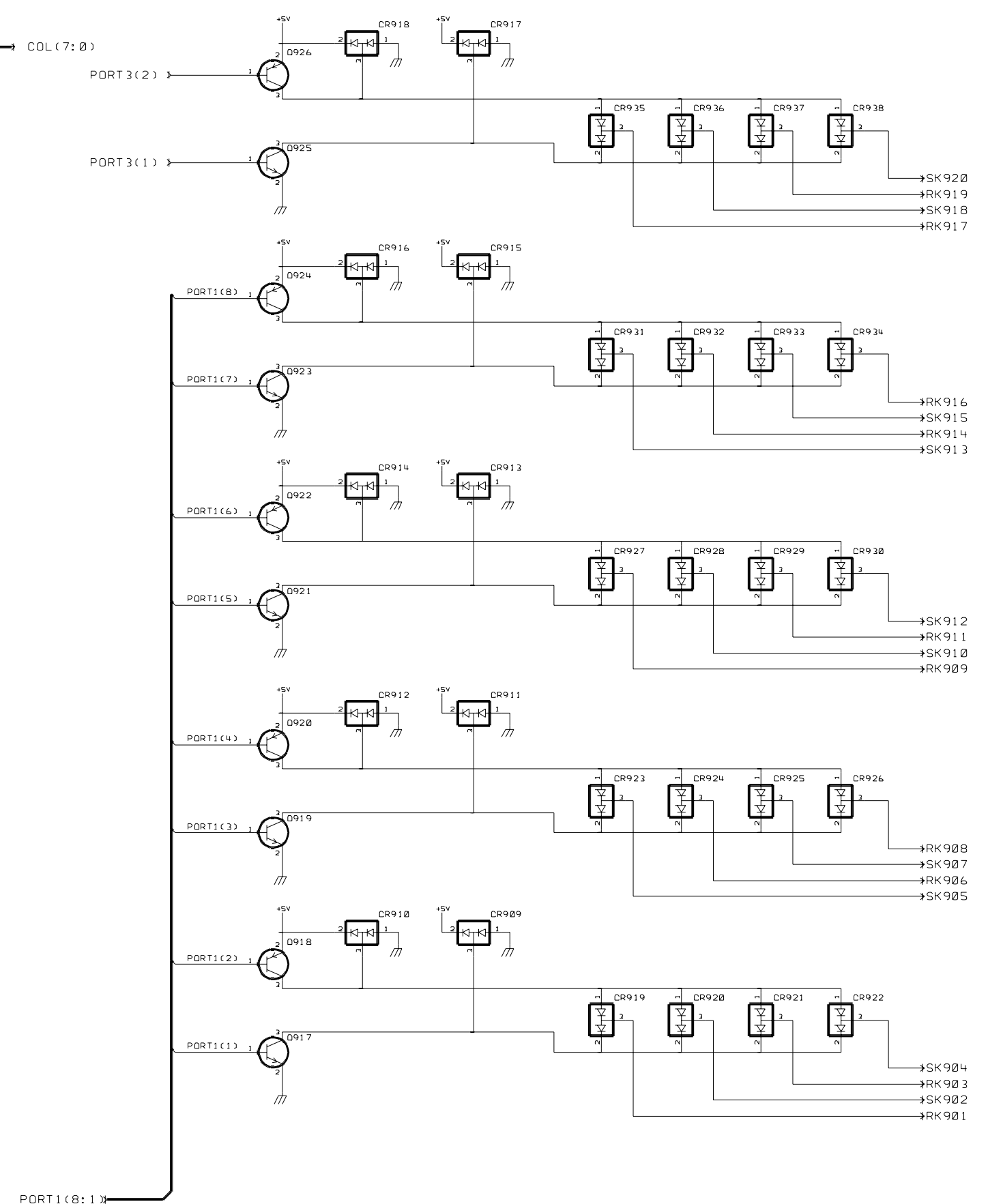
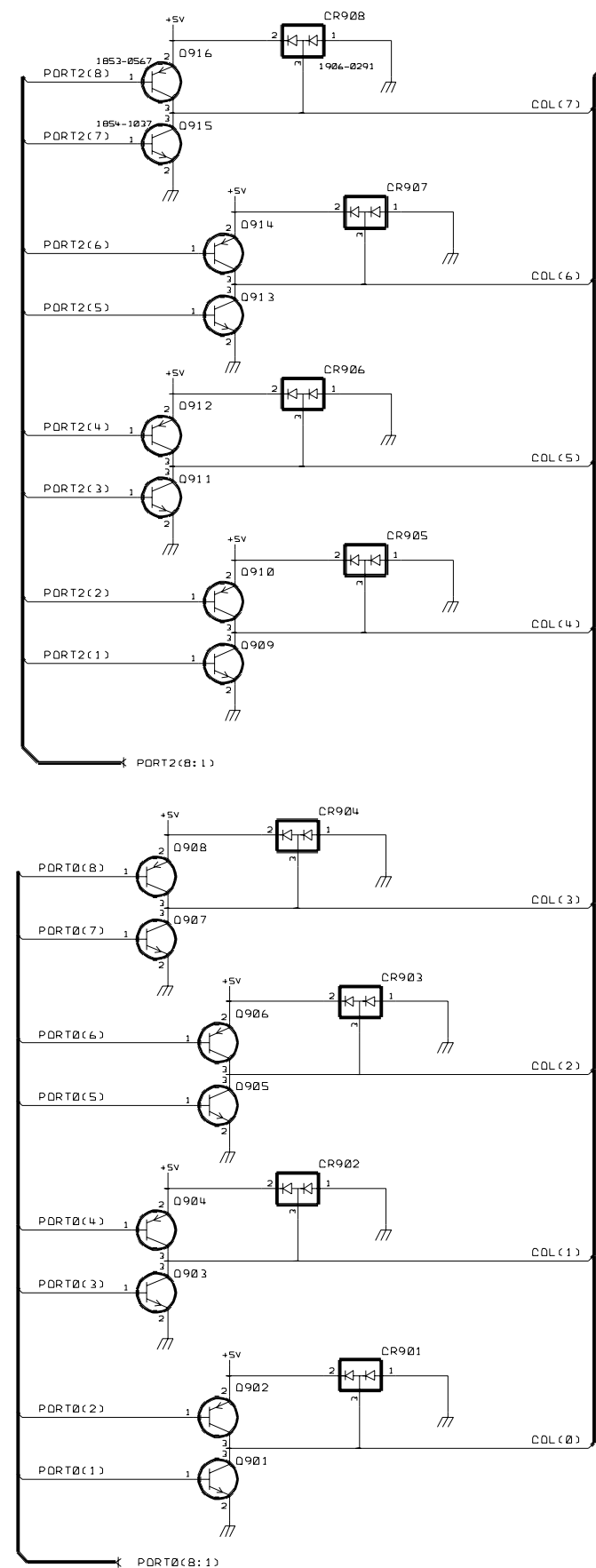
→ A18	C10L	12	← P103
			Ø 360-2624
→ C18	C10H	11	← P103
→ E18	C11L	10	← P103
→ E20	C11H	9	← P103
→ A20	C12L	8	← P103
→ C20	C12H	7	← P103
→ A22	C13L	6	← P103
→ C22	C13H	5	← P103
→ E22	C14L	4	← P103
→ E24	C14H	3	← P103
	LOW_COMMON		
→ A16		2	← P103
	HIGH_COMMON		
→ E16		1	← P103

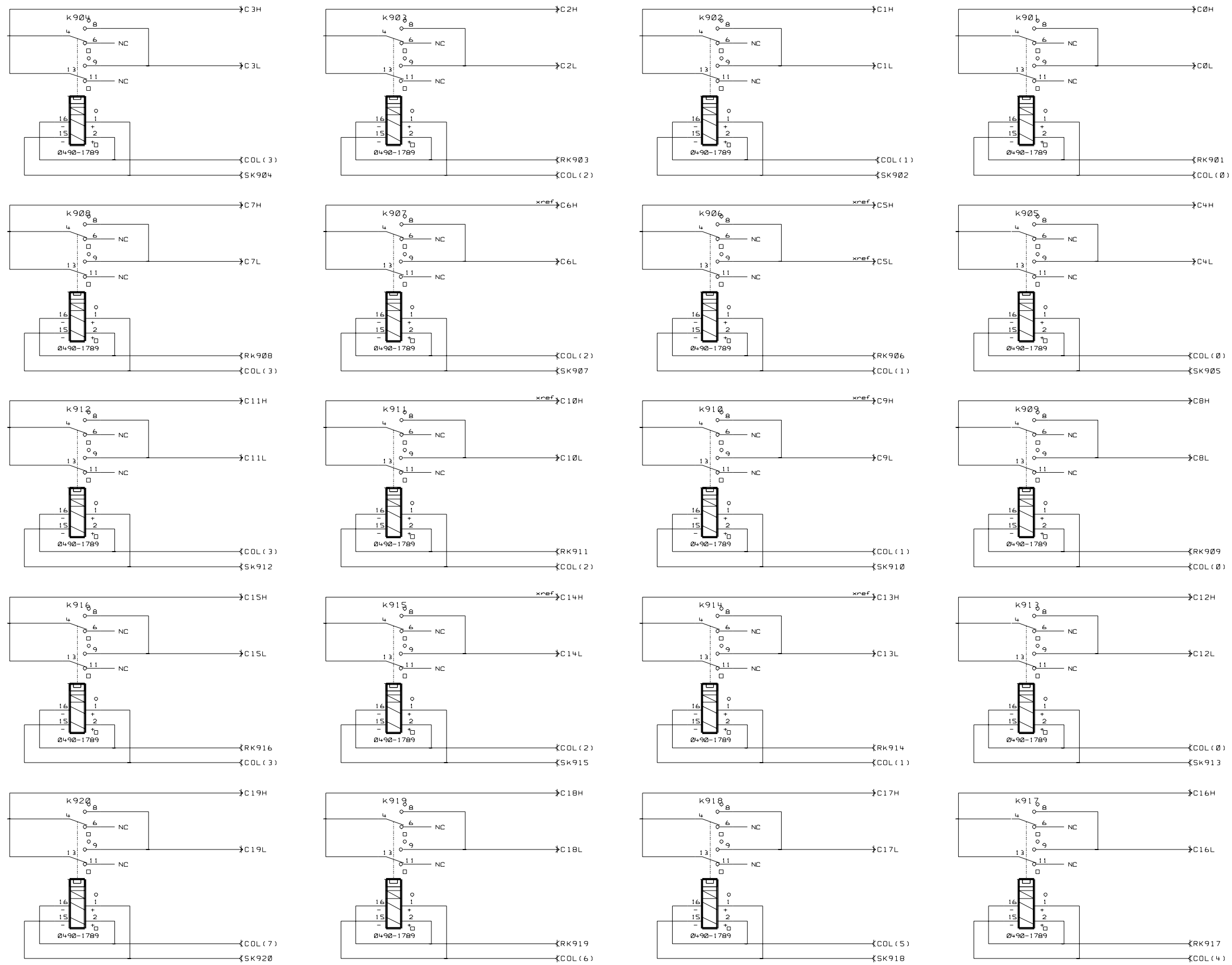
→ A24	C15L	12	← P104
			Ø 360-2624
→ C24	C15H	11	← P104
→ A26	C16L	10	← P104
→ C26	C16H	9	← P104
→ E26	C17L	8	← P104
→ E28	C17H	7	← P104
→ A28	C18L	6	← P104
→ C28	C18H	5	← P104
→ A30	C19L	4	← P104
→ C30	C19H	3	← P104
	NC	2	← P104
	NC	1	← P104

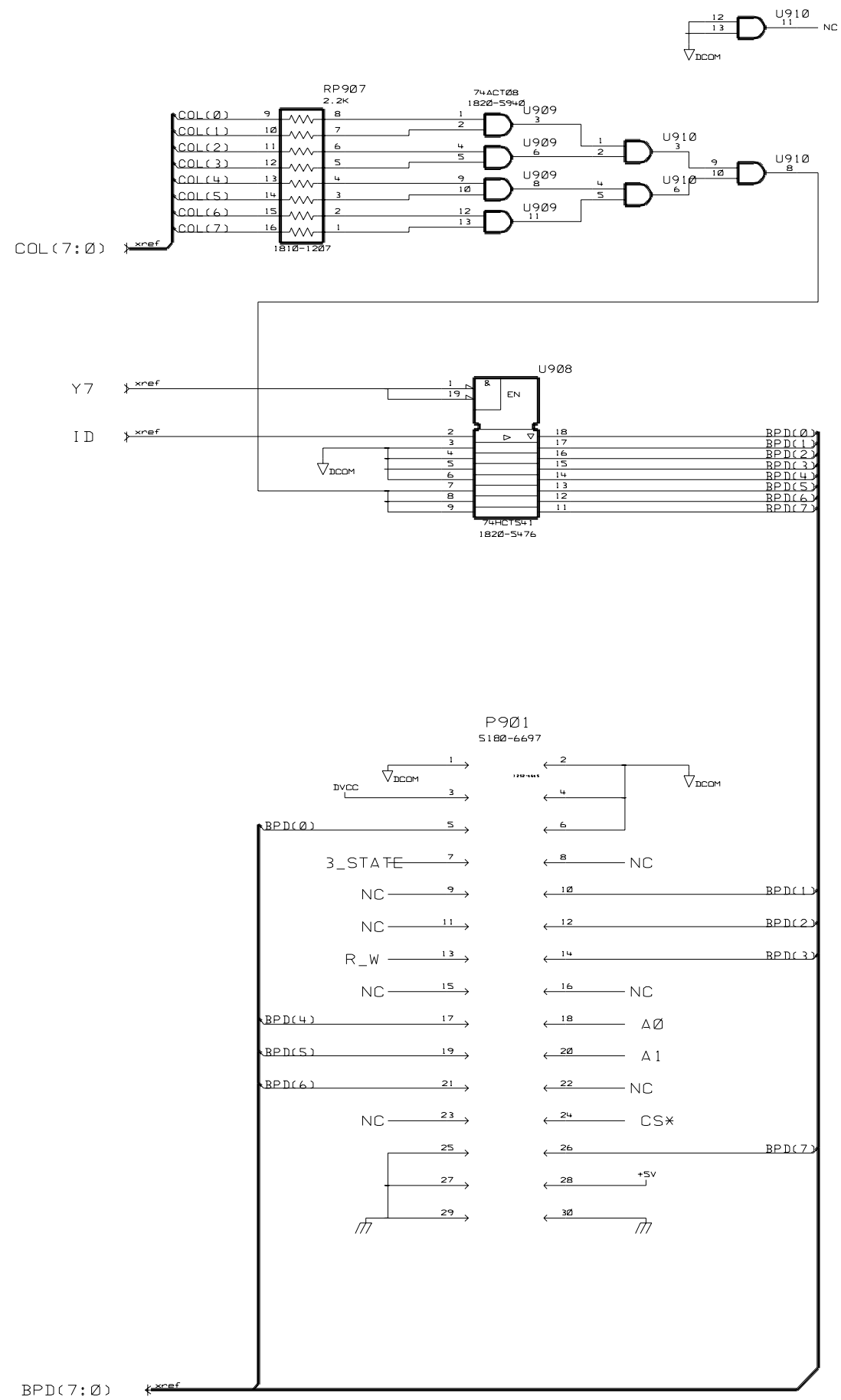
→ A32	NC	→ E14	NC
		→ E30	NC
		→ E32	NC











J901
1252-1575

← A2	C0L	← C2	C0H	← E2	C1L
← A4	C2L	← C4	C2H	← E4	C1H
← A6	C3L	← C6	C3H	← E6	C4L
← A8	C5L	← C8	C5H	← E8	C4H
← A10	C6L	← C10	C6H	← E10	C7L
← A12	C8L	← C12	C8H	← E12	C7H
← A14	C9L	← C14	C9H	← E14	NC
← A16	NC	← C16	NC	← E16	NC
← A18	C10L	← C18	C10H	← E18	C11L
← A20	C12L	← C20	C12H	← E20	C11H
← A22	C13L	← C22	C13H	← E22	C14L
← A24	C15L	← C24	C15H	← E24	C14H
← A26	C16L	← C26	C16H	← E26	C17L
← A28	C18L	← C28	C18H	← E28	C17H
← A30	C19L	← C30	C19H	← E30	NC
← A32	NC	← C32	NC	← E32	NC

